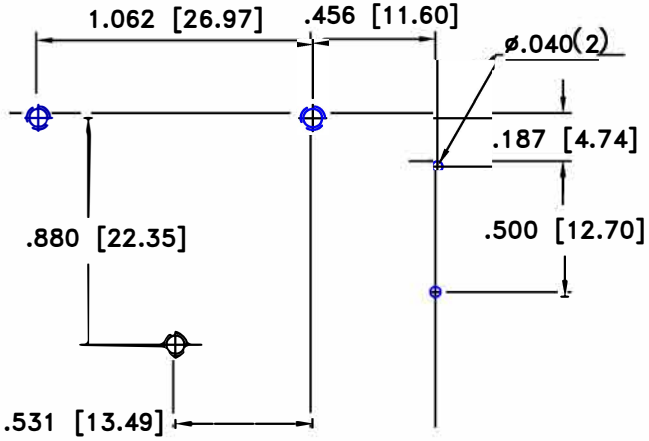
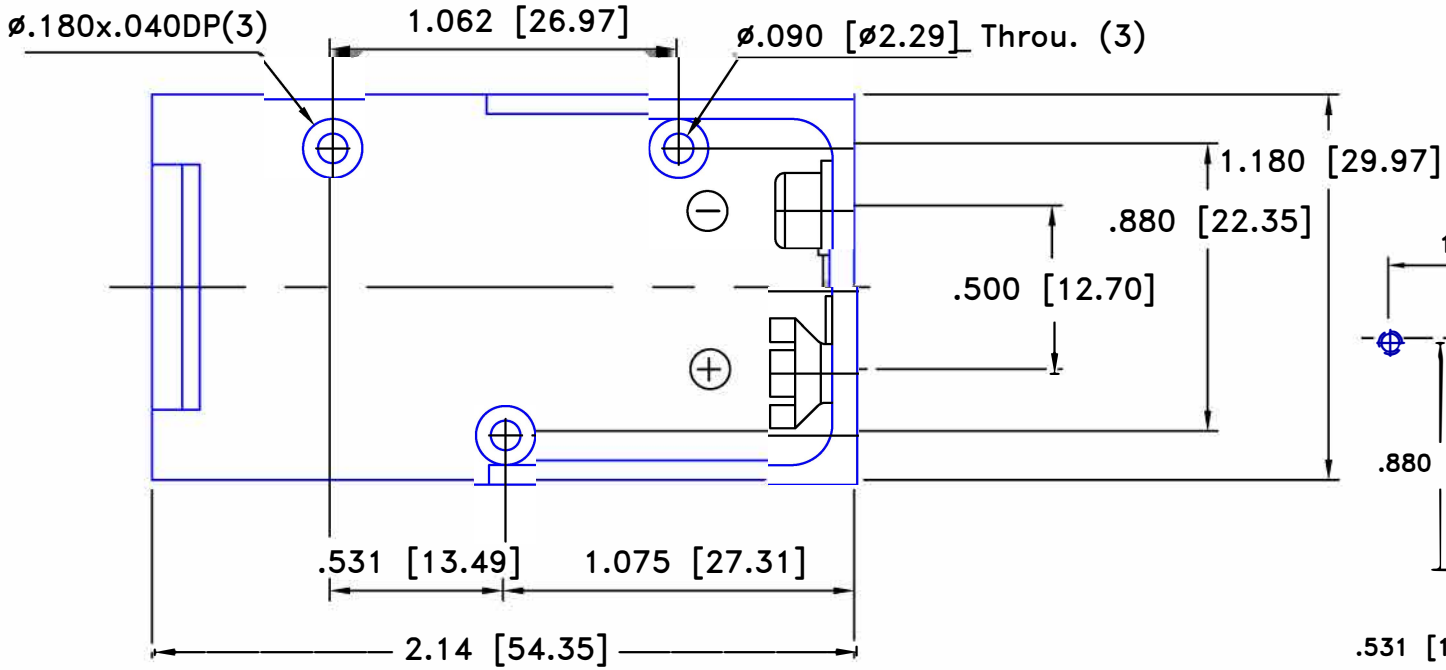
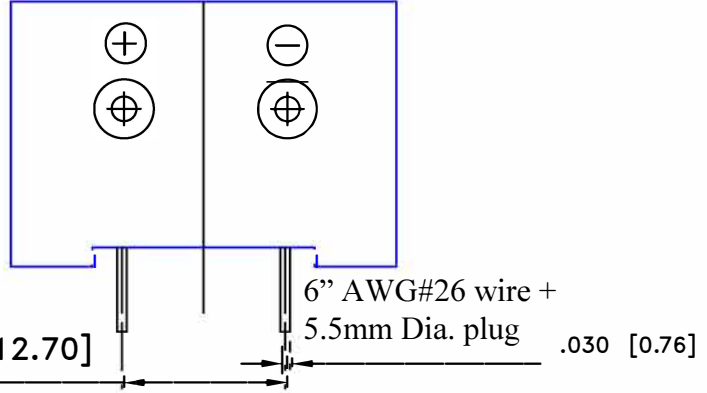
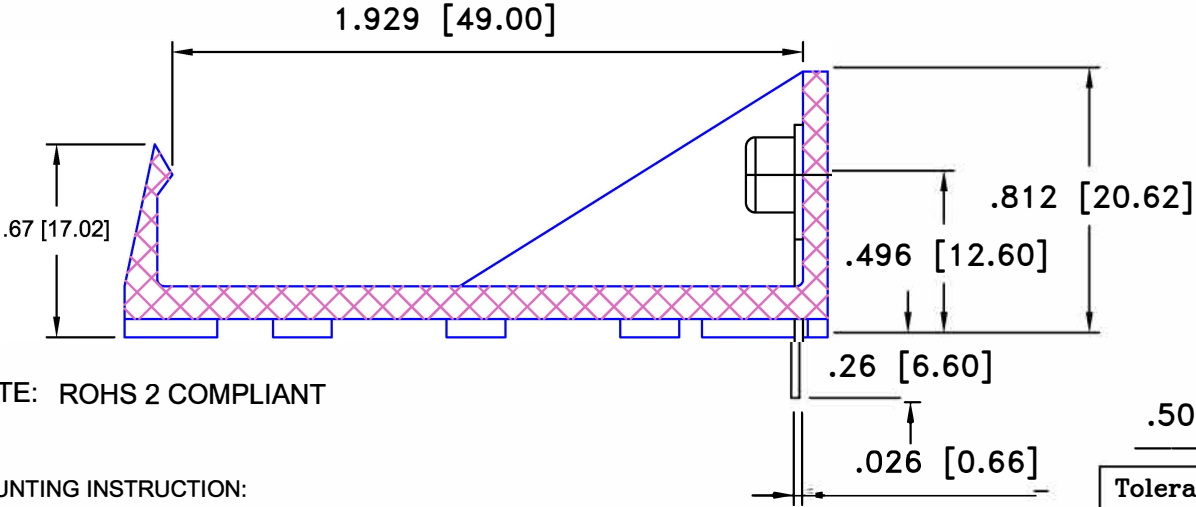


HH-3635



PCB LAYOUT



NOTE: ROHS 2 COMPLIANT

MOUNTING INSTRUCTION:
 USE 2-56 MACHINE SCREWS OR EYELETS 0.089" OD
 BY 0.15" FLANGE STIMPSON GS-3 SERIES OR EQUIVALENT.
 ALSO ADHESIVES AND DOUBLE SIDED TAPES WORK WELL.

TERMINALS	PC TERMINALS	TIN PLATED STEEL
WASHER	INSULATOR	RUBBER
HOLDER	HOLDER UL94V-0, FILE No. E56070 (S)	HIGH IMPACT ABS BLACK, UL940-0
CONTACTS	BRASS SNAPS	NICKEL PLATED BRASS
PART	DESCRIPTION	MATERIAL

Tolerance (Except as noted)	
decimal	
$\pm .5 (.020)$	
Fractional	
$\pm .8 (.030)$	
Angular	
$\pm 3^\circ$	
Drawing Number HH-3635	