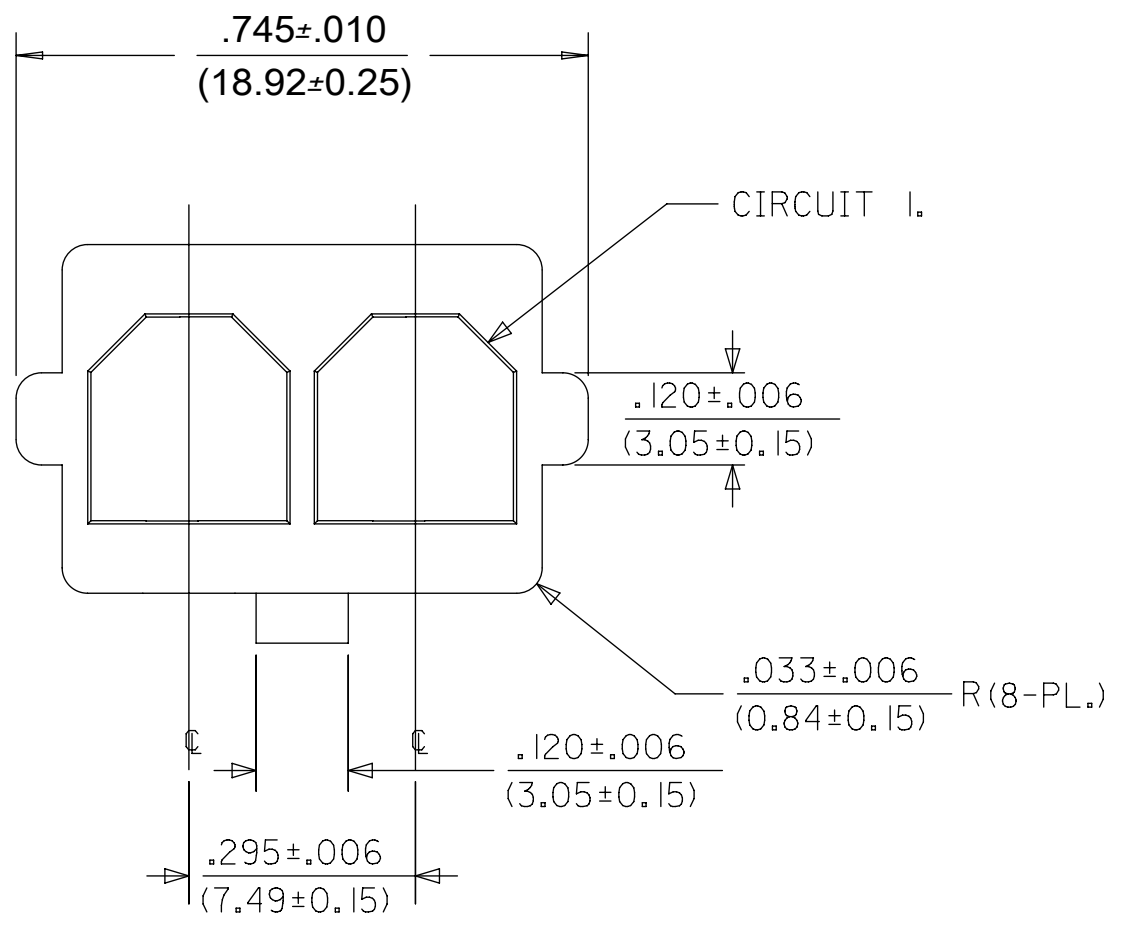
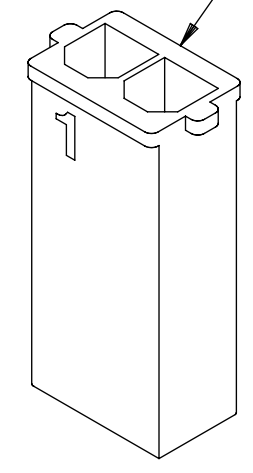


ITEM NUMBER	MATERIAL	COLOR
172673-2002	UL94V-0 NYLON	BLACK
172673-3002	UL94V-2 NYLON, IEC 60335-1, GLOW WIRE CAPABLE	BLACK



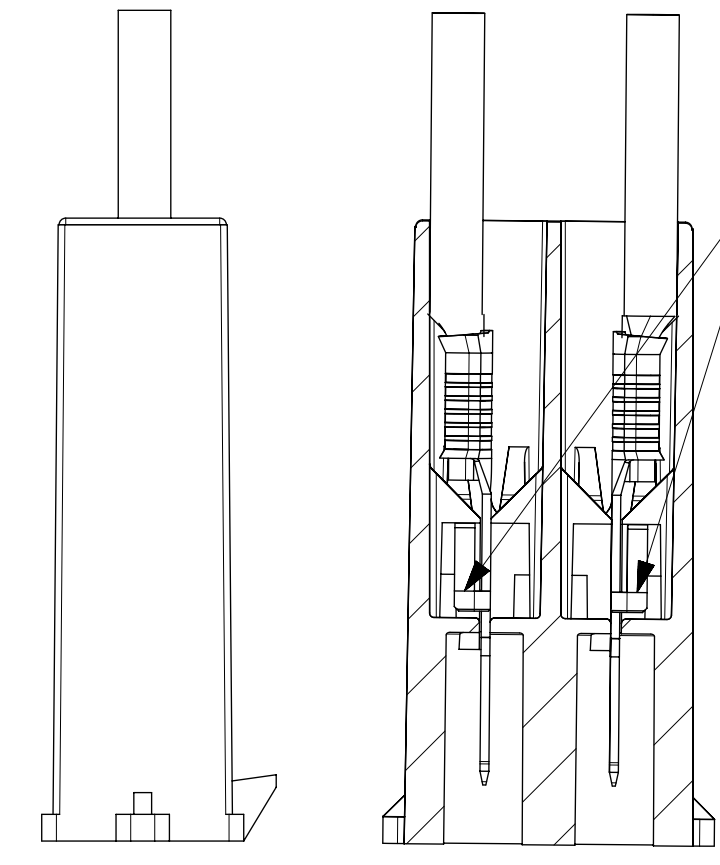
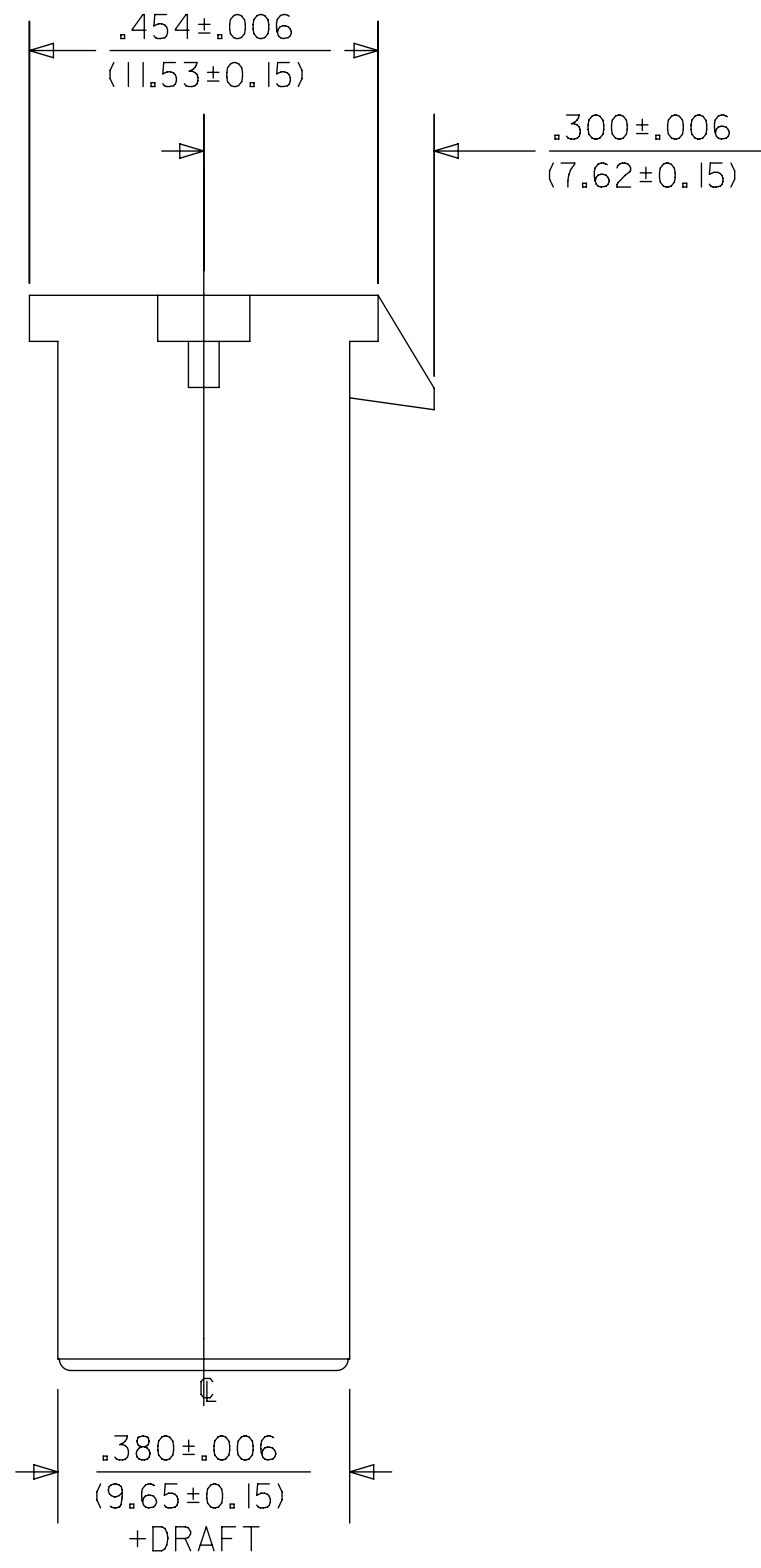
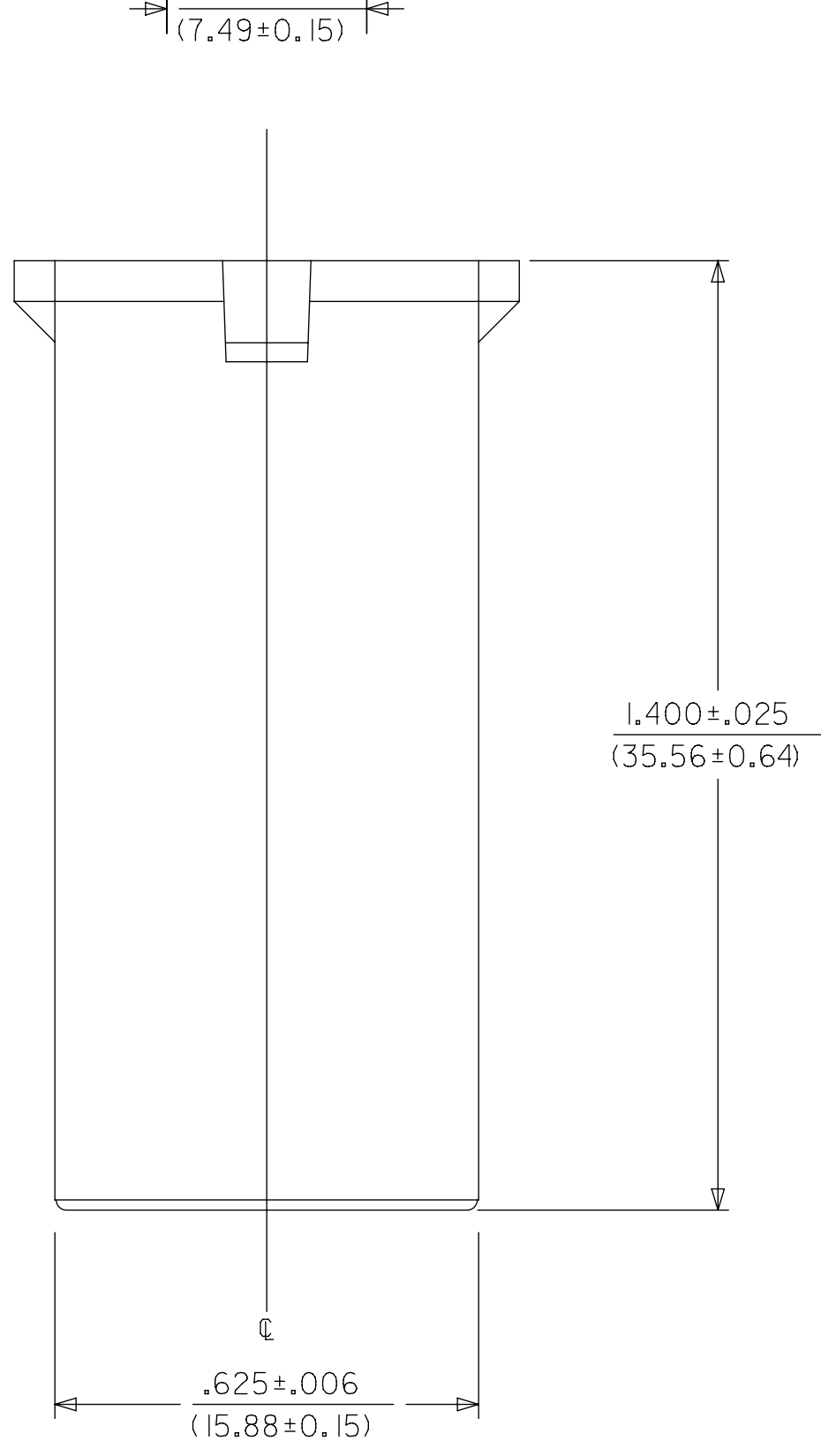
LOCKING NUB IS LOCATED HERE



**172673-\*002**  
(NO SCALE)

**NOTES:**

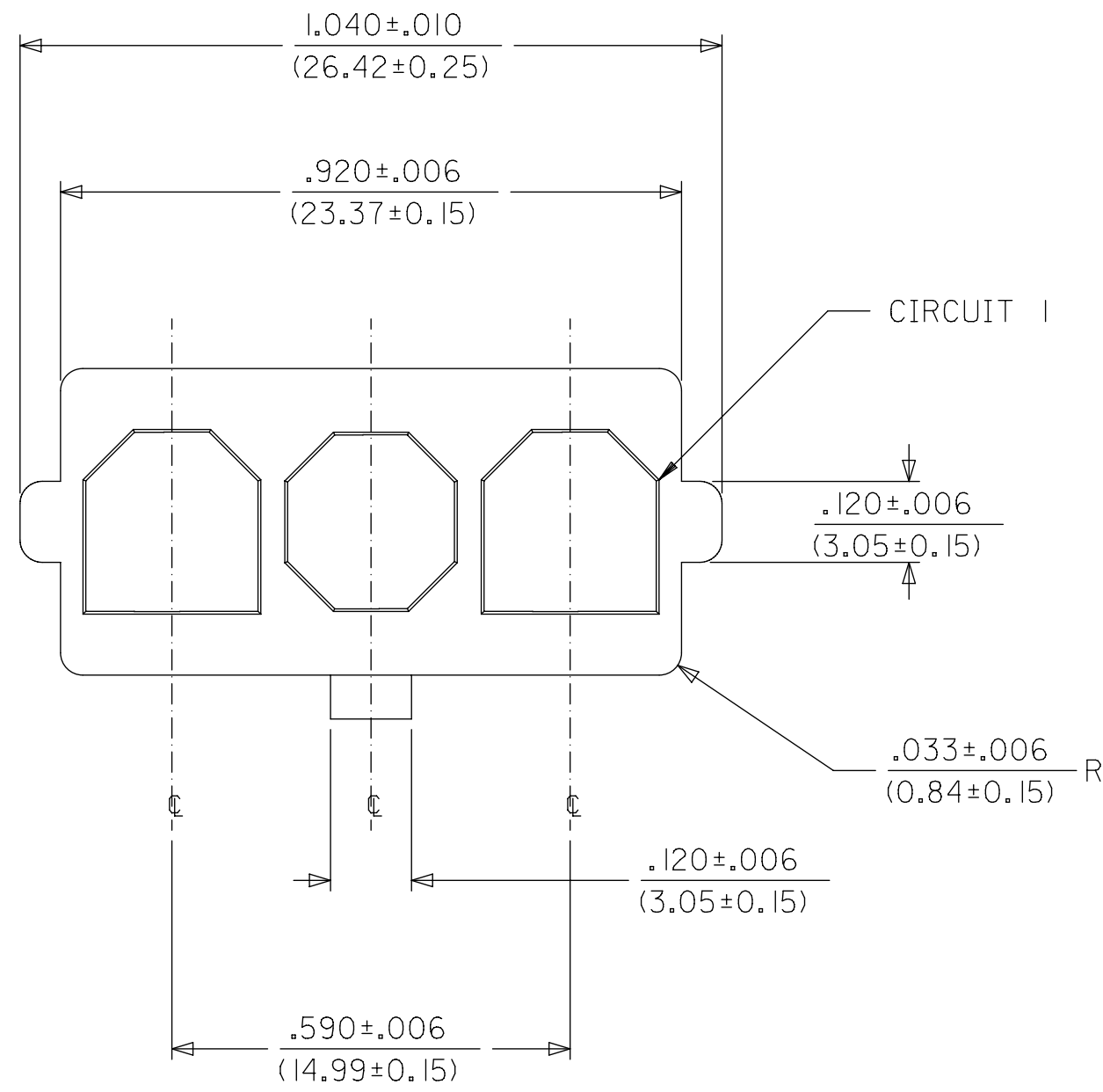
1. MATERIAL: SEE CHART.
2. FINISH: NONE.
3. PRODUCT SPECIFICATION: PS-171825-001.
4. PACKAGING: PK-43680-001.
5. THIS CONNECTOR HOUSING FOR USE WITH 171826 TERMINALS.
6. THIS CONNECTOR HOUSING WILL MATE TO 172672 OR 44441 HOUSINGS.
7. PARTS CONFORM TO CLASS B REQUIREMENTS OF COSMETIC SPEC PS-45499-002.  
- SOME PARTS MAY HAVE A BLEMISH NEAR THE GATE THAT DOES NOT AFFECT FUNCTIONALITY.
8. MOLDED IN SERIES NO. MAY BE 172673 OR 43680.



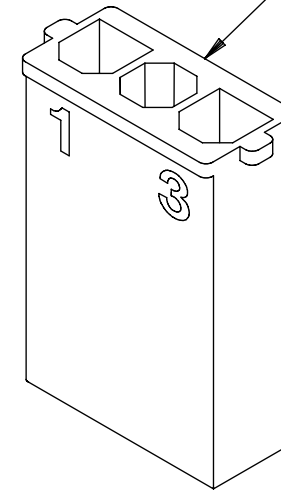
NOT TO SCALE

<b>QUALITY SYMBOLS</b> ▽ = 0 ▽ = 0 ▽ = 0 ▽ = 0 ▽ = 0 ▽ = 0 ▽ = 0 ▽ = 0 ▽ = 0 ▽ = 0	THIS DRAWING CONTAINS INFORMATION THAT IS PROPRIETARY TO MOLEX ELECTRONIC TECHNOLOGIES, LLC AND SHOULD NOT BE USED WITHOUT WRITTEN PERMISSION				DIMENSION UNITS <b>IN/MM</b>		SCALE <b>4:1</b>				
	<b>TERMINAL INSERTION</b> EC NO: 118809 DRWN: JQUILES CHKD: MKIPPER REV / APPR: FSMITH		2017/09/20 2017/10/25 2017/10/27		GENERAL TOLERANCES (UNLESS SPECIFIED) MM INCH 4 PLACES ± ± 3 PLACES ± ± 0.01 2 PLACES ± 0.25 ± 0.014 1 PLACES ± 0.35 ± 0 PLACES ± ±		DRWN BY: <b>JDFOX</b> DATE: <b>2014/07/24</b> CHK'D BY: <b>BANDERSON</b> DATE: <b>2014/07/24</b> APPR BY: <b>FSMITH</b> DATE: <b>2014/07/24</b>				
	ANGULAR TOL = 0.5 DRAFT WHERE APPLICABLE MUST REMAIN WITHIN DIMENSIONS		<b>C</b>		DRAWING SIZE: <b>C</b>		THIRD ANGLE PROJECTION		<b>PRODUCT CUSTOMER DRAWING</b>		
	<b>B</b>		<b>172673</b>		SEE CHART		CUSTOMER: <b>GENERAL MARKET</b>		SERIES: <b>172673</b> MATERIAL NUMBER: <b>SEE CHART</b> CUSTOMER: <b>GENERAL MARKET</b>		
<b>RELEASE STATUS</b> P1		<b>RELEASE DATE</b> 27.10.2017 20:27:22		<b>DOCUMENT NUMBER</b> SD-172673-001		<b>DOC TYPE</b> PSD		<b>DOC PART</b> 001		<b>SHEET NUMBER</b> 1 OF 5	

ITEM NUMBER	MATERIAL	COLOR
172673-2003	UL94V-0 NYLON	BLACK
172673-3003	UL94V-2 NYLON, IEC 60335-1, GLOW WIRE CAPABLE	BLACK



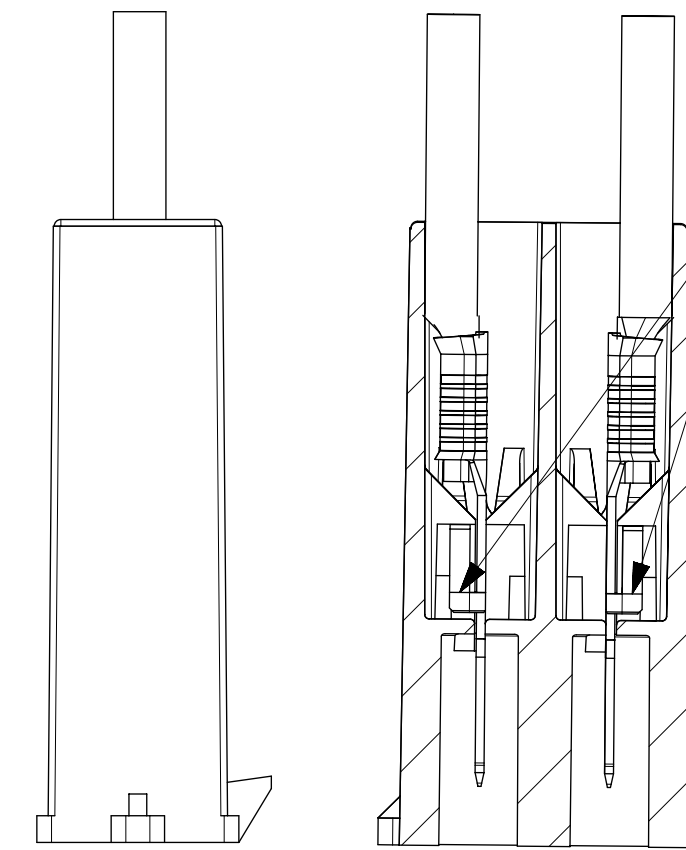
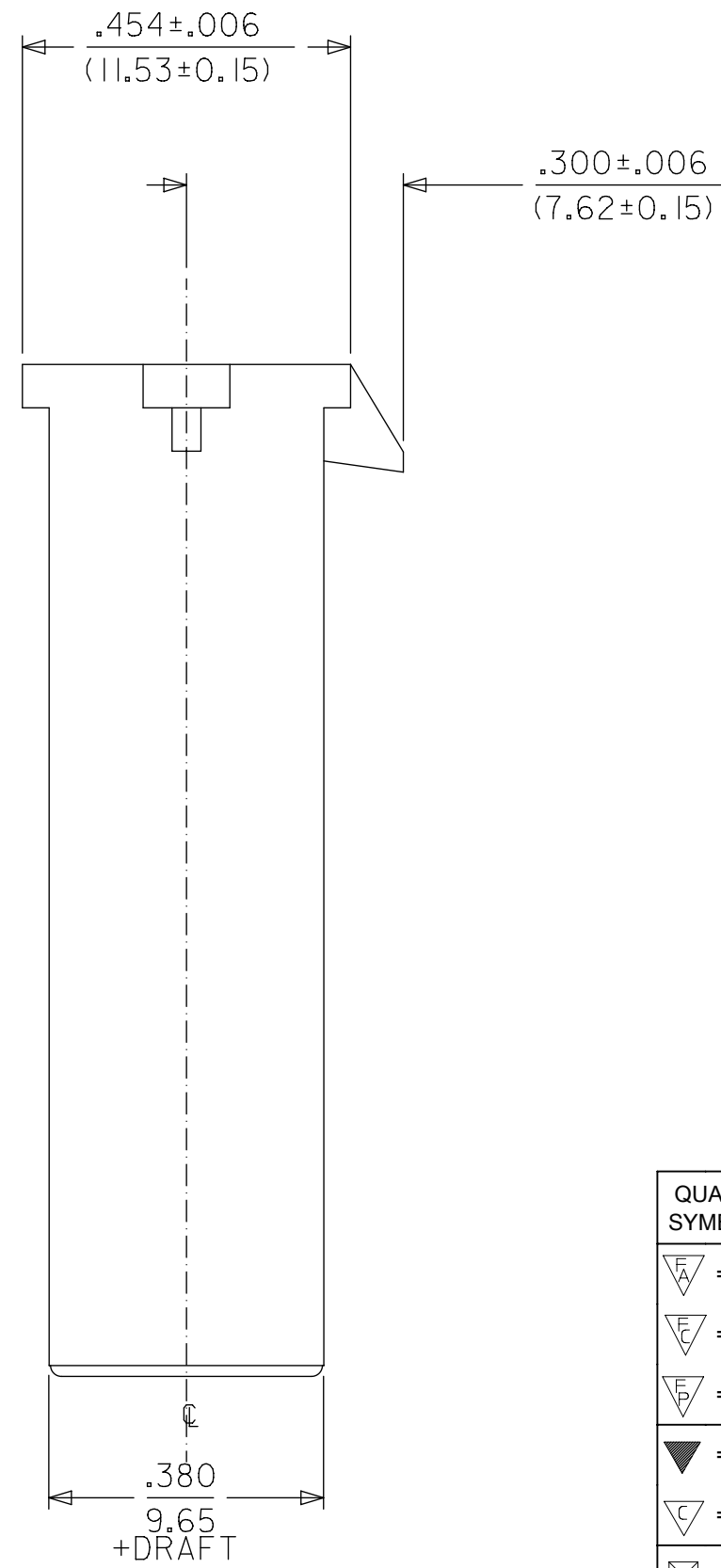
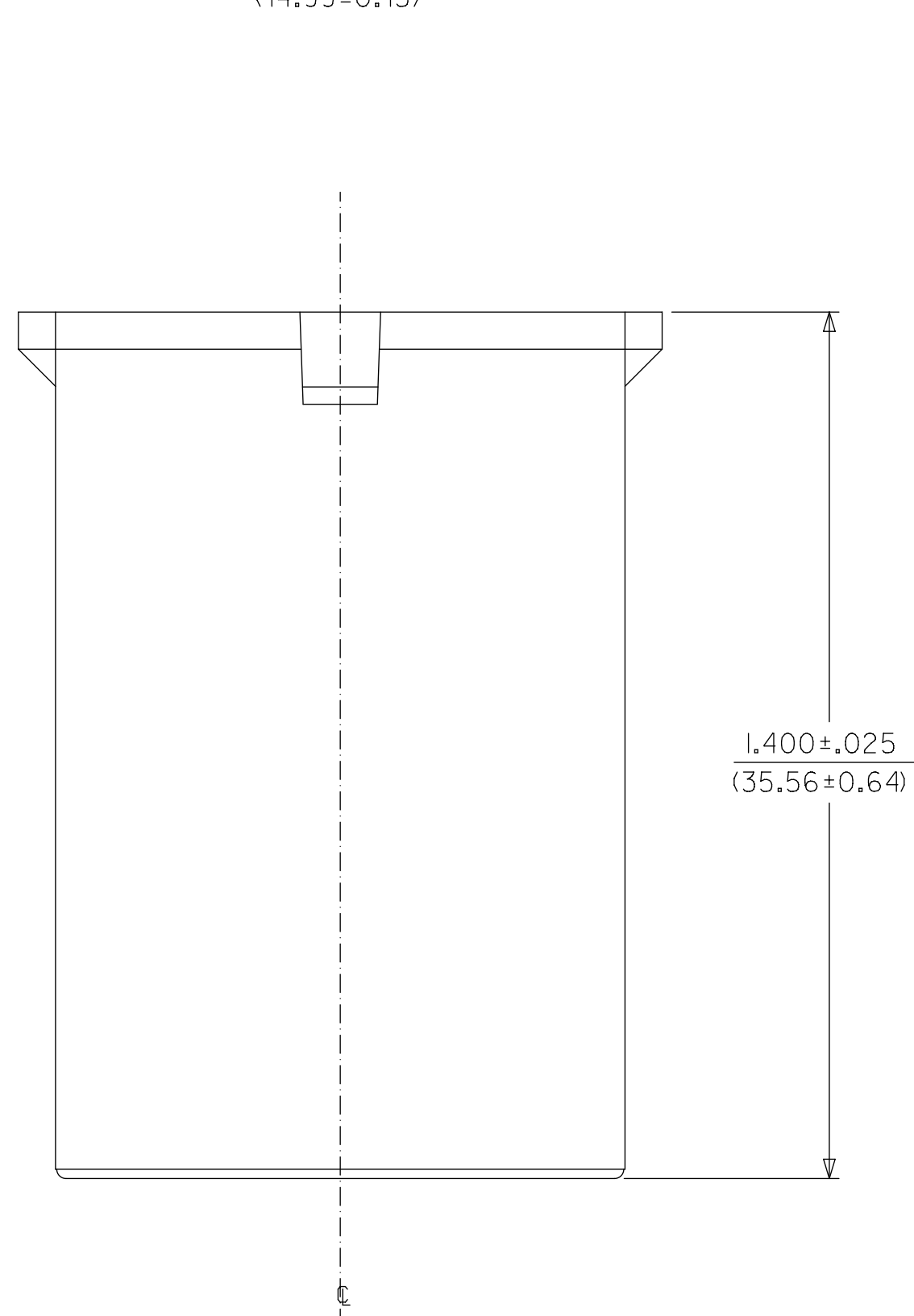
LOCKING NUB IS LOCATED HERE



**172673-\*003**  
(NO SCALE)

**NOTES:**

1. MATERIAL: SEE CHART.
2. FINISH: NONE.
3. PRODUCT SPECIFICATION: PS-171825-001.
4. PACKAGING: PK-43680-001.
5. THIS CONNECTOR HOUSING FOR USE WITH 171826 TERMINALS.
6. THIS CONNECTOR HOUSING WILL MATE TO 172672 OR 44441 HOUSINGS.
7. PARTS CONFORM TO CLASS B REQUIREMENTS OF COSMETIC SPEC PS-45499-002.  
- SOME PARTS MAY HAVE A BLEMISH NEAR THE GATE THAT DOES NOT AFFECT FUNCTIONALITY.
8. MOLDED IN SERIES NO. MAY BE 172673 OR 43680.



NOT TO SCALE

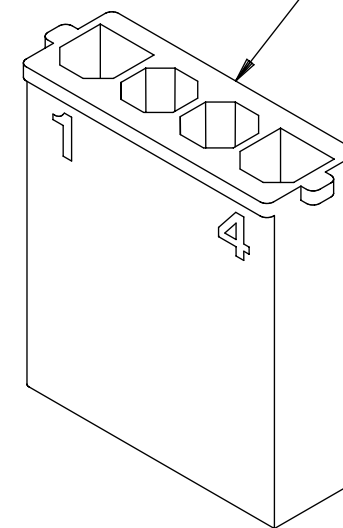
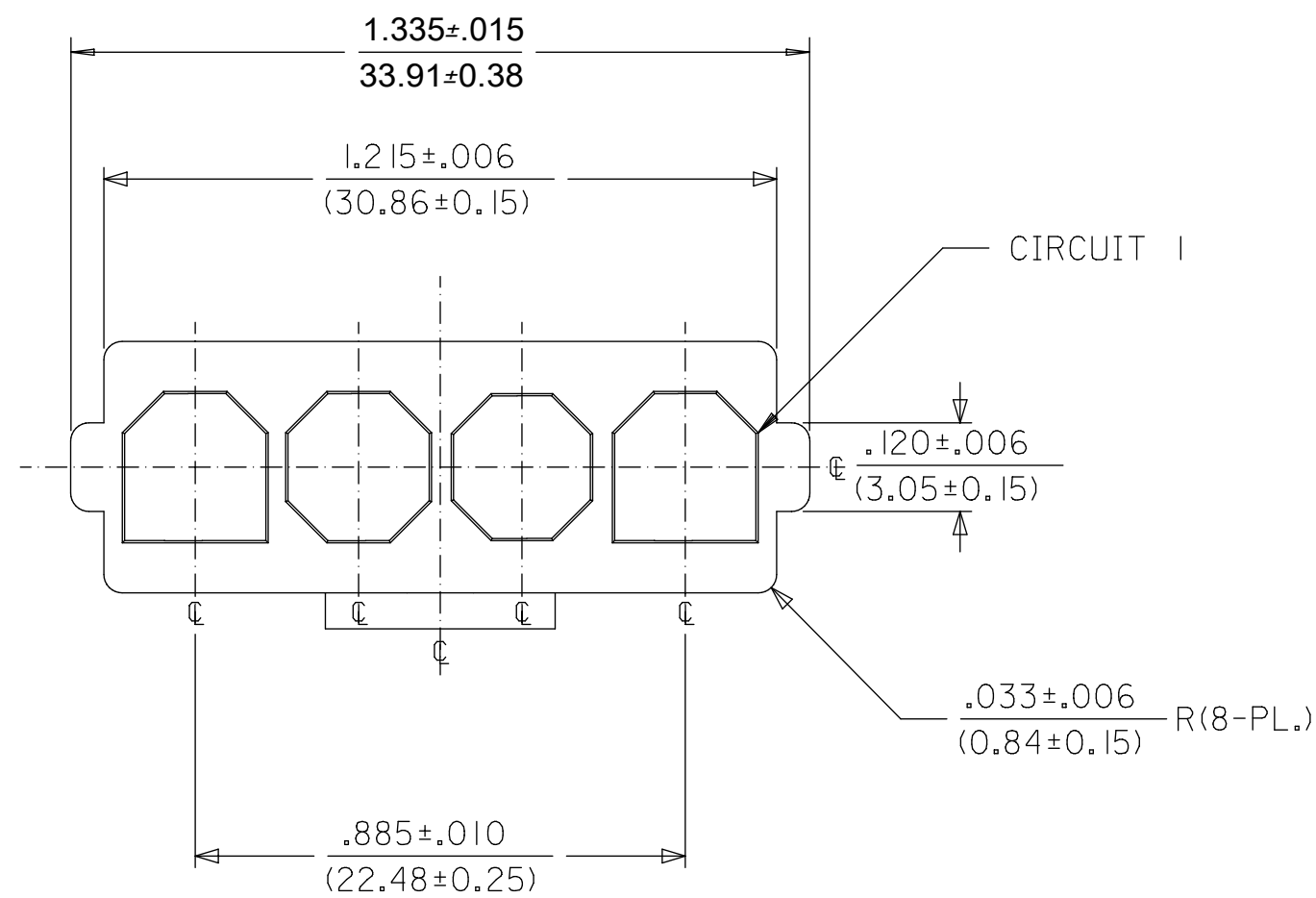
QUALITY SYMBOLS		THIS DRAWING CONTAINS INFORMATION THAT IS PROPRIETARY TO MOLEX ELECTRONIC TECHNOLOGIES, LLC AND SHOULD NOT BE USED WITHOUT WRITTEN PERMISSION				
▽ = 0	▽ = 0	TERMINAL INSERTION	GENERAL TOLERANCES (UNLESS SPECIFIED)		DIMENSION UNITS	SCALE
▽ = 0	▽ = 0		MM	INCH	IN/MM	4:1
▽ = 0	▽ = 0		4 PLACES ±	±	DRWN BY	DATE
▽ = 0	▽ = 0		3 PLACES ±	± 0.01	JDFOX	2014/07/24
▽ = 0	▽ = 0		2 PLACES ±	± 0.014	CHK'D BY	DATE
▽ = 0	▽ = 0	1 PLACES ±	±	BANDERSON	2014/07/24	
▽ = 0	▽ = 0	0 PLACES ±	±	APPR BY	DATE	
▽ = 0	▽ = 0	ANGULAR TOL = 0.5	DRAFT WHERE APPLICABLE MUST REMAIN WITHIN DIMENSIONS		FSMITH	2014/07/24
▽ = 0	▽ = 0			DRAWING SIZE	THIRD ANGLE PROJECTION	
▽ = 0	▽ = 0			C		

<b>molex</b> SUPER-SABRE PLUG HOUSING		
PRODUCT CUSTOMER DRAWING		
SERIES	MATERIAL NUMBER	CUSTOMER
172673	SEE CHART	GENERAL MARKET
DOCUMENT NUMBER		DOC TYPE
SD-172673-001		PSD
DOC PART	SHEET NUMBER	
001	2 OF 5	

ITEM NUMBER	MATERIAL	COLOR
172673-2004	UL94V-0 NYLON	BLACK
172673-3004	UL94V-2 NYLON IEC 60335-1 GLOW WIRE CAPABLE	BLACK

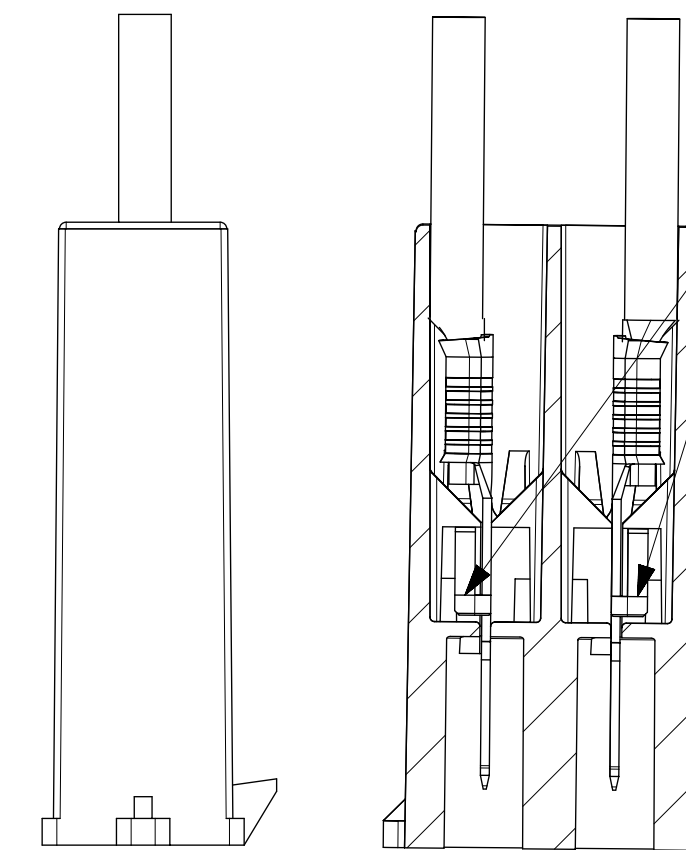
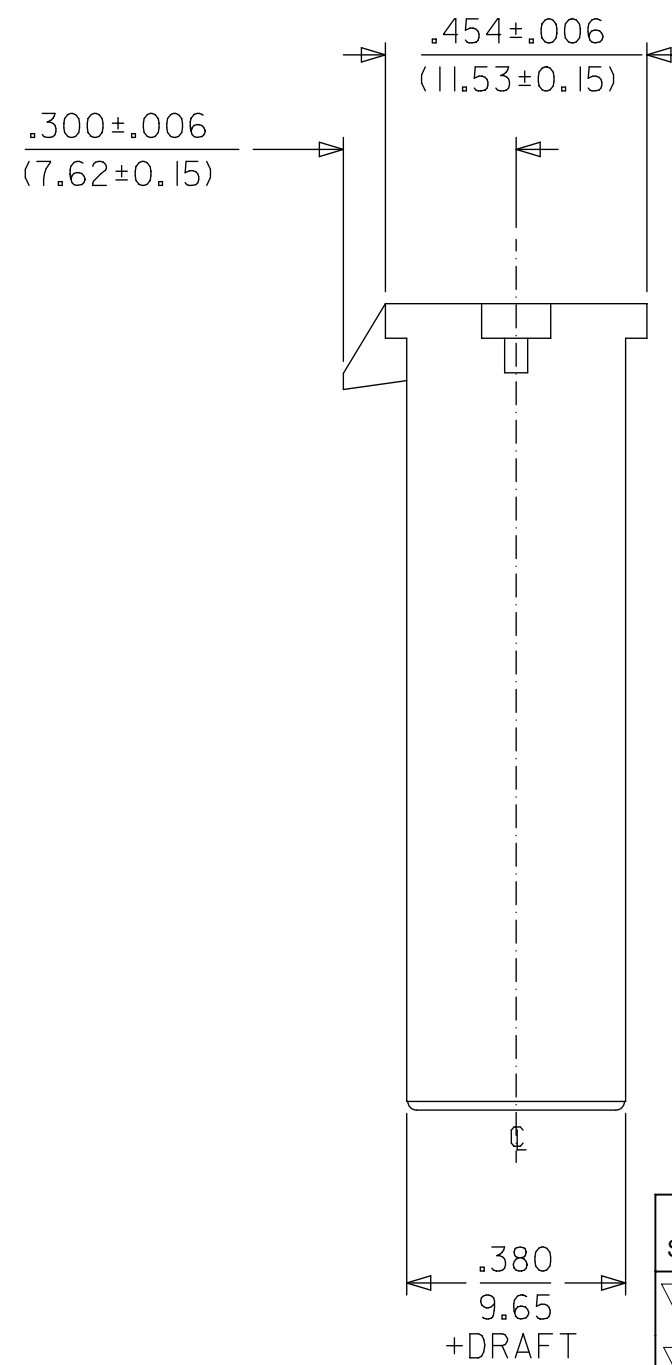
LOCKING NUB IS LOCATED HERE



172673-\*004  
(NO SCALE)

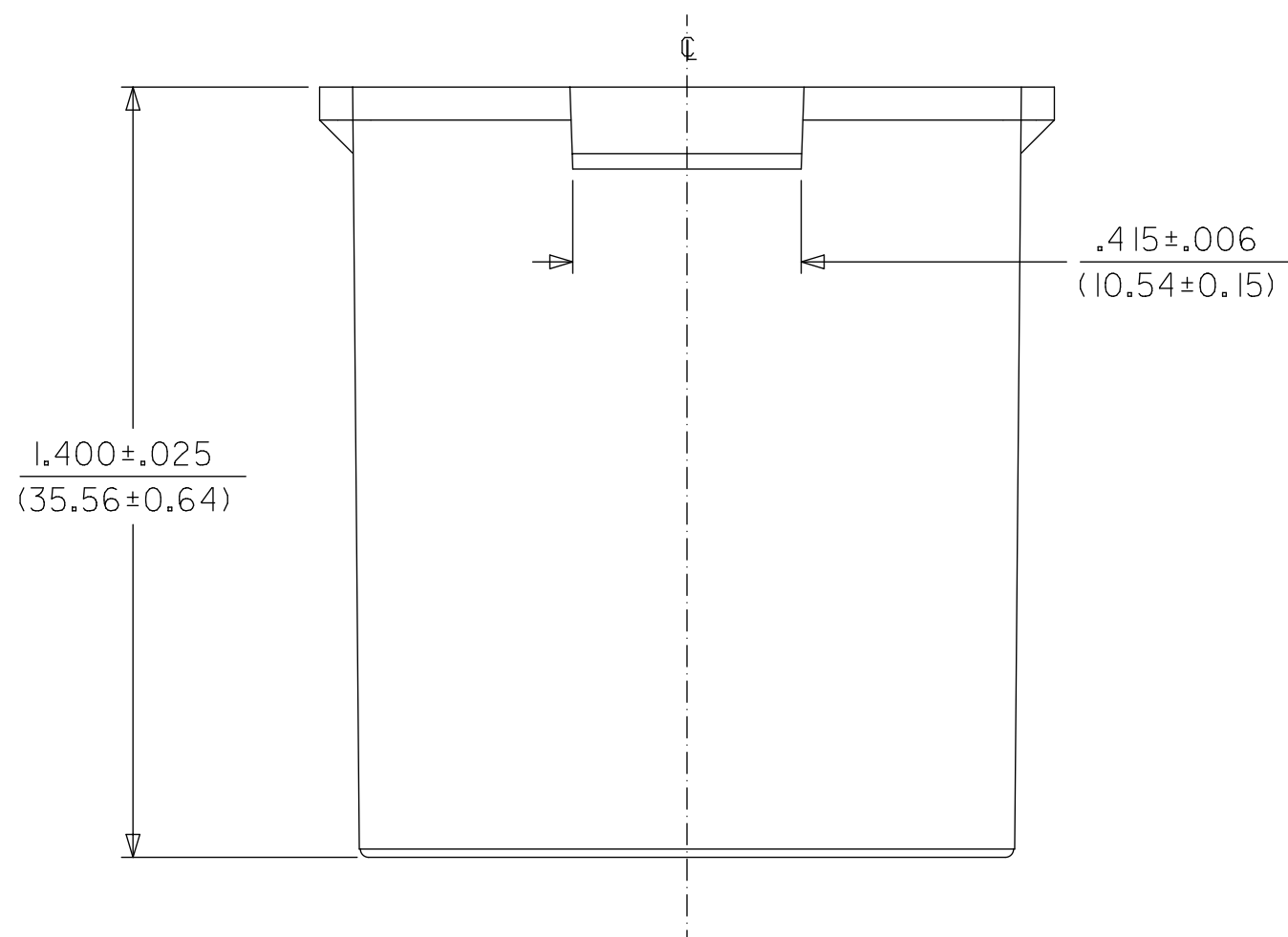
**NOTES:**

1. MATERIAL: SEE CHART.
2. FINISH: NONE.
3. PRODUCT SPECIFICATION: PS-171825-001.
4. PACKAGING: PK-43680-001.
5. THIS CONNECTOR HOUSING FOR USE WITH 171826 TERMINALS.
6. THIS CONNECTOR HOUSING WILL MATE TO 172672 OR 44441 HOUSINGS.
7. PARTS CONFORM TO CLASS B REQUIREMENTS OF COSMETIC SPEC PS-45499-002.  
- SOME PARTS MAY HAVE A BLEMISH NEAR THE GATE THAT DOES NOT AFFECT FUNCTIONALITY.
8. MOLDED IN SERIES NO. MAY BE 172673 OR 43680.



BOTH TERMINAL ORIENTATIONS ARE ACCEPTABLE.

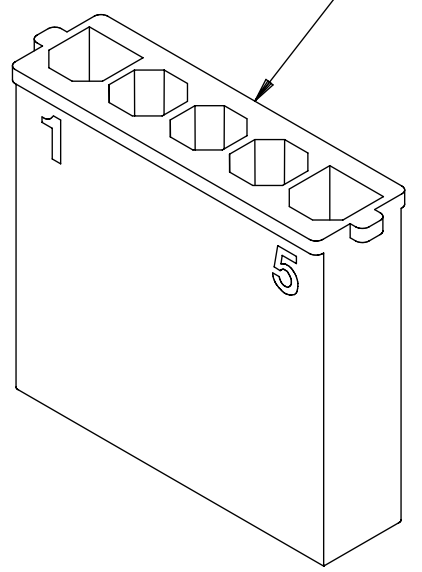
NOT TO SCALE



QUALITY SYMBOLS		THIS DRAWING CONTAINS INFORMATION THAT IS PROPRIETARY TO MOLEX ELECTRONIC TECHNOLOGIES, LLC AND SHOULD NOT BE USED WITHOUT WRITTEN PERMISSION			
▽ = 0	2017/09/20	GENERAL TOLERANCES (UNLESS SPECIFIED)		DIMENSION UNITS	SCALE
▽ = 0	2017/10/25	MM	INCH	IN/MM	4:1
▽ = 0	2017/10/27	4 PLACES	±	DRWN BY	DATE
▽ = 0		3 PLACES	±	JDFOX	2014/07/24
▽ = 0		2 PLACES	± 0.25	CHK'D BY	DATE
▽ = 0		1 PLACES	± 0.35	BANDERSON	2014/07/24
▽ = 0		0 PLACES	±	APPR BY	DATE
▽ = 0				FSMITH	2014/07/24
▽ = 0		ANGULAR TOL = 0.5		DRAWING SIZE	THIRD ANGLE PROJECTION
▽ = 0		DRAFT WHERE APPLICABLE MUST REMAIN WITHIN DIMENSIONS		C	
▽ = 0		SUPER-SABRE PLUG HOUSING			
PRODUCT CUSTOMER DRAWING					
EC NO: 118809	DRWN: JQUILES	CHKD: MKIPPER	REV / APPR: FSMITH	SERIES	MATERIAL NUMBER
B				172673	SEE CHART
				CUSTOMER	GENERAL MARKET
				DOCUMENT NUMBER	DOC TYPE
				SD-172673-001	PSD
				DOC PART	SHEET NUMBER
				001	3 OF 5

ITEM NUMBER	MATERIAL	COLOR
172673-2005	NYLON, UL94V-0	BLACK
172673-3005	NYLON, UL94V-2, IEC 60335-1 GLOW-WIRE CAPABLE	BLACK

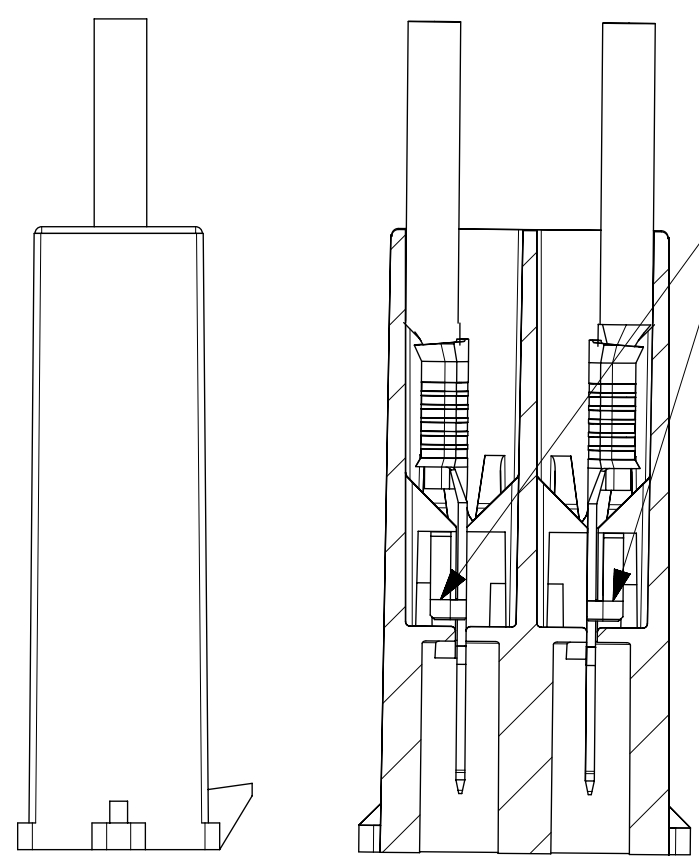
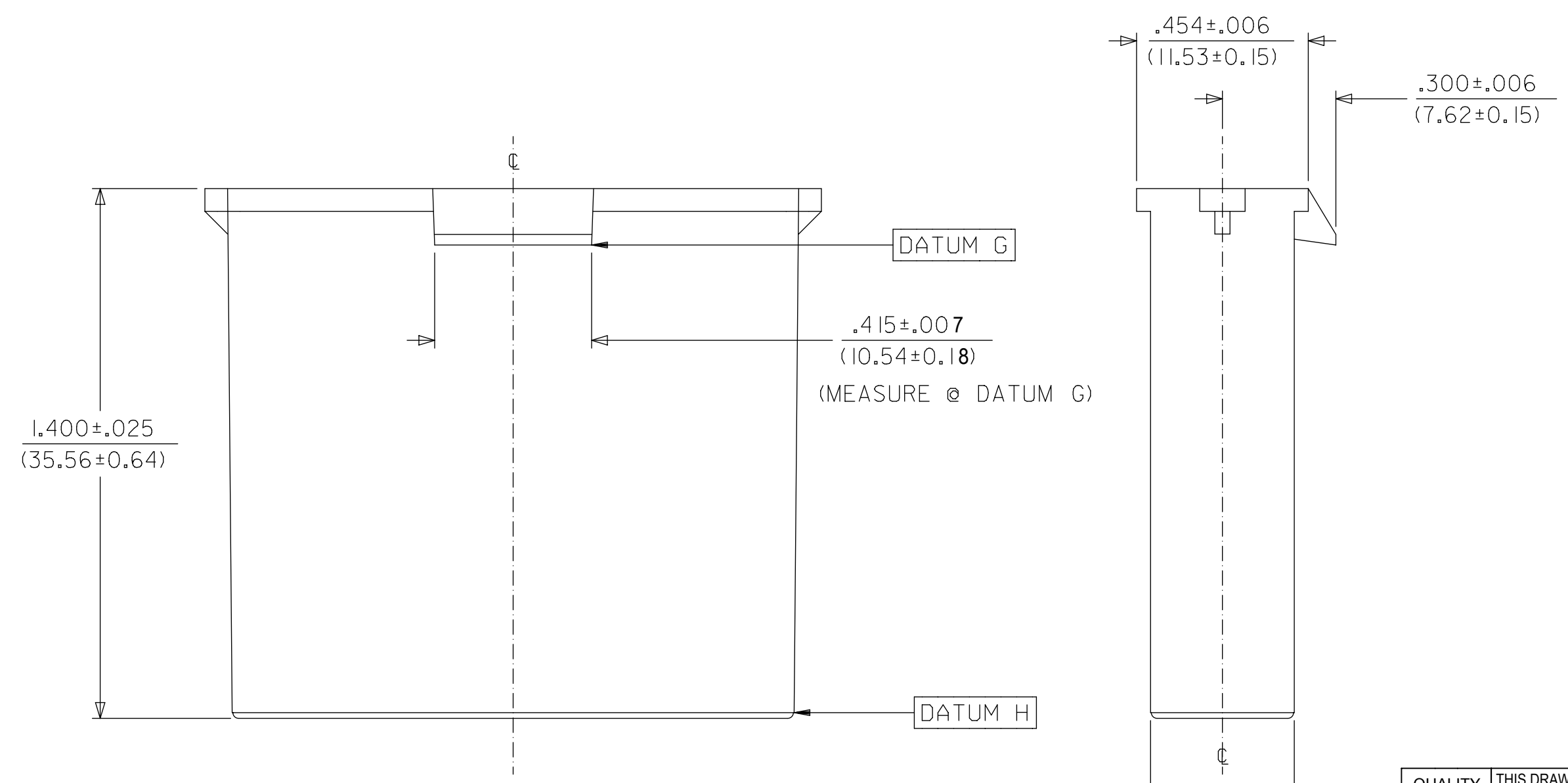
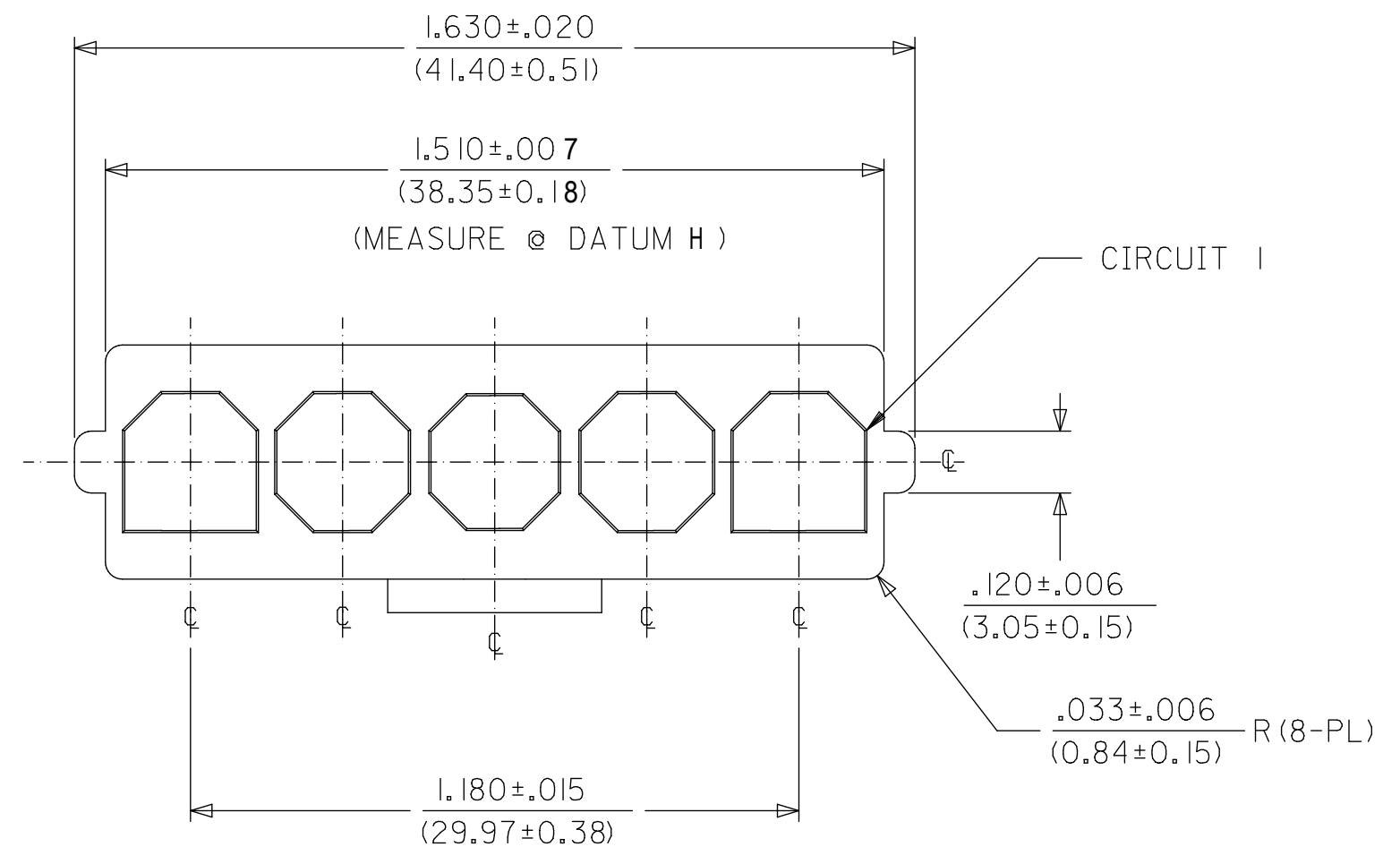
LOCKING NUB IS LOCATED HERE



172673-\*005  
(NO SCALE)

**NOTES:**

1. MATERIAL: SEE CHART.
2. FINISH: NONE.
3. PRODUCT SPECIFICATION: PS-171825-001.
4. PACKAGING: PK-43680-001.
5. THIS CONNECTOR HOUSING FOR USE WITH 171826 TERMINALS.
6. THIS CONNECTOR HOUSING WILL MATE TO 172672 OR 44441 HOUSINGS.
7. PARTS CONFORM TO CLASS B REQUIREMENTS OF COSMETIC SPEC PS-45499-002.  
- SOME PARTS MAY HAVE A BLEMISH NEAR THE GATE THAT DOES NOT AFFECT FUNCTIONALITY.
8. MOLDED IN SERIES NO. MAY BE 172673 OR 43680.



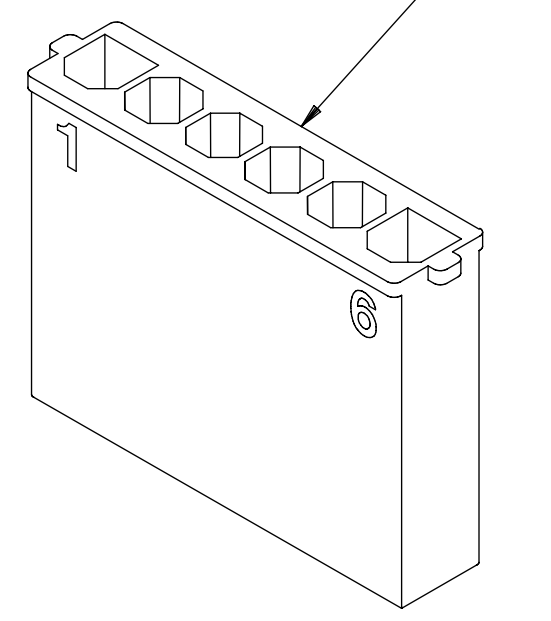
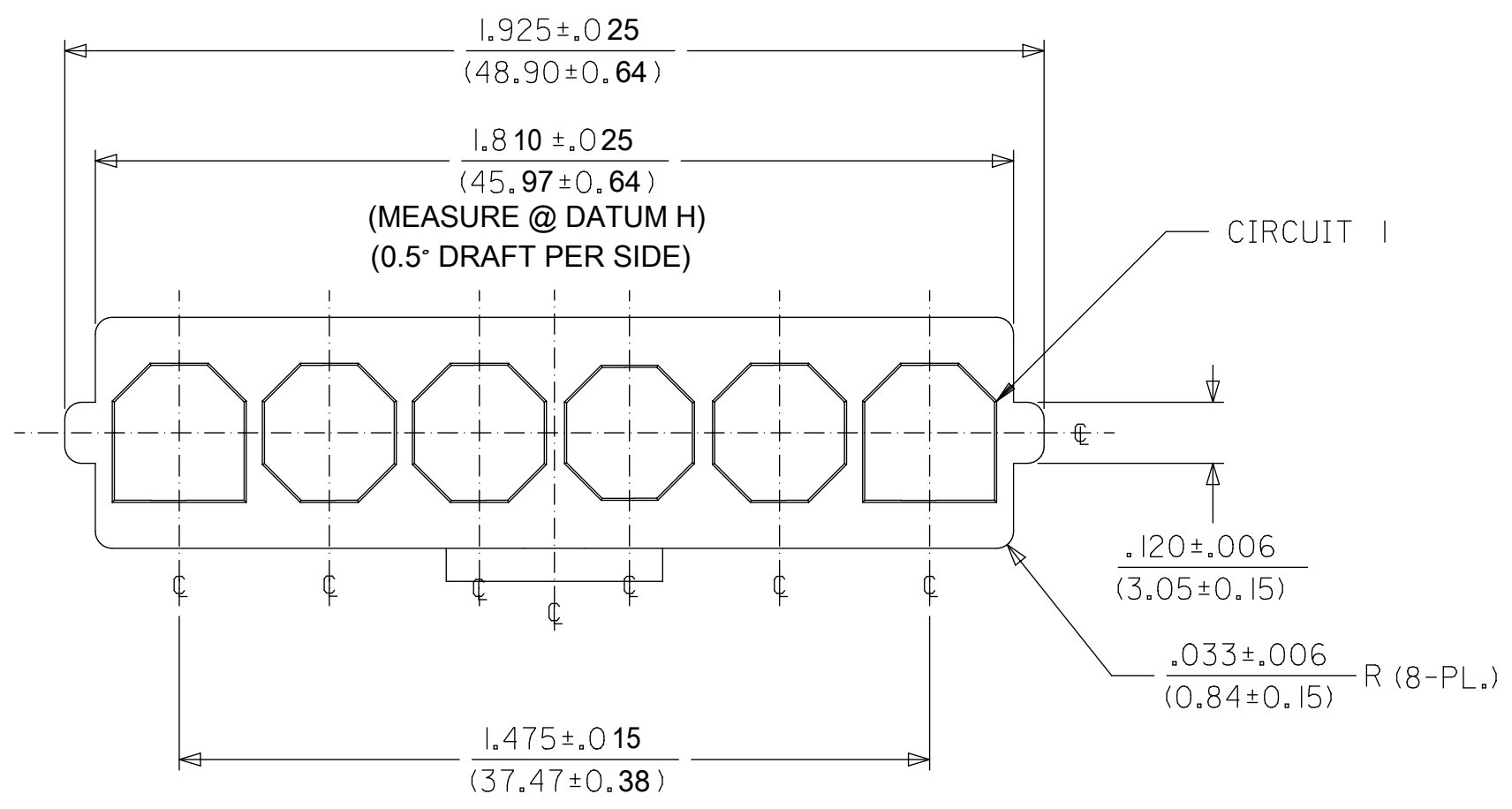
BOTH TERMINAL ORIENTATIONS ARE ACCEPTABLE.

NOT TO SCALE

QUALITY SYMBOLS		THIS DRAWING CONTAINS INFORMATION THAT IS PROPRIETARY TO MOLEX ELECTRONIC TECHNOLOGIES, LLC AND SHOULD NOT BE USED WITHOUT WRITTEN PERMISSION			
▽ = 0	2017/09/20	GENERAL TOLERANCES (UNLESS SPECIFIED)		DIMENSION UNITS	SCALE
▽ = 0	2017/10/25	MM	INCH	IN/MM	4:1
▽ = 0	2017/10/27	4 PLACES ±	±	DRWN BY	DATE
▽ = 0		3 PLACES ±	± 0.01	JDFOX	2014/07/24
▽ = 0		2 PLACES ±	± 0.25 ± 0.014	CHK'D BY	DATE
▽ = 0		1 PLACES ±	± 0.35 ±	BANDERSON	2014/07/24
▽ = 0		0 PLACES ±	±	APPR BY	DATE
▽ = 0		ANGULAR TOL = 0.5		FSMITH	2014/07/24
▽ = 0		DRAFT WHERE APPLICABLE MUST REMAIN WITHIN DIMENSIONS		DRAWING SIZE	THIRD ANGLE PROJECTION
▽ = 0				C	
TERMINAL INSERTION		EC NO: 118809		SERIES	
		DRWN: JQUILES		172673	
		CHKD: MKIPPER		MATERIAL NUMBER	
		REV / APPR: FSMITH		SEE CHART	
		B		CUSTOMER	
				GENERAL MARKET	
				DOCUMENT NUMBER	
				SD-172673-001	
				DOC TYPE	
				PSD	
				DOC PART	
				001	
				SHEET NUMBER	
				4 OF 5	

ITEM NUMBER	MATERIAL	COLOR
172673-2006	UL94V-0 NYLON	BLACK
172673-3006	UL94V-2 NYLON, IEC60335-1, GLOW WIRE CAPABLE	BLACK

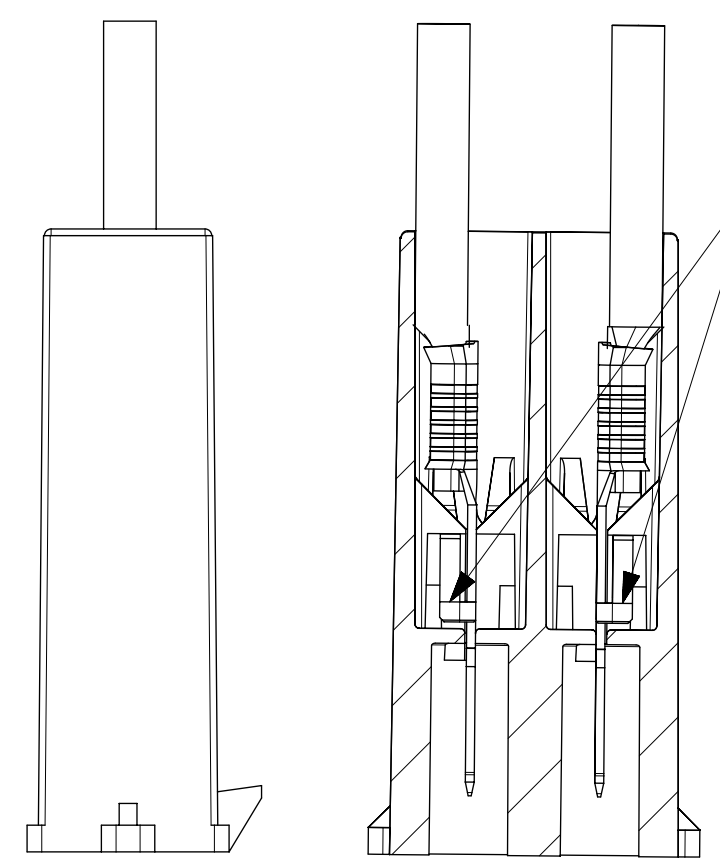
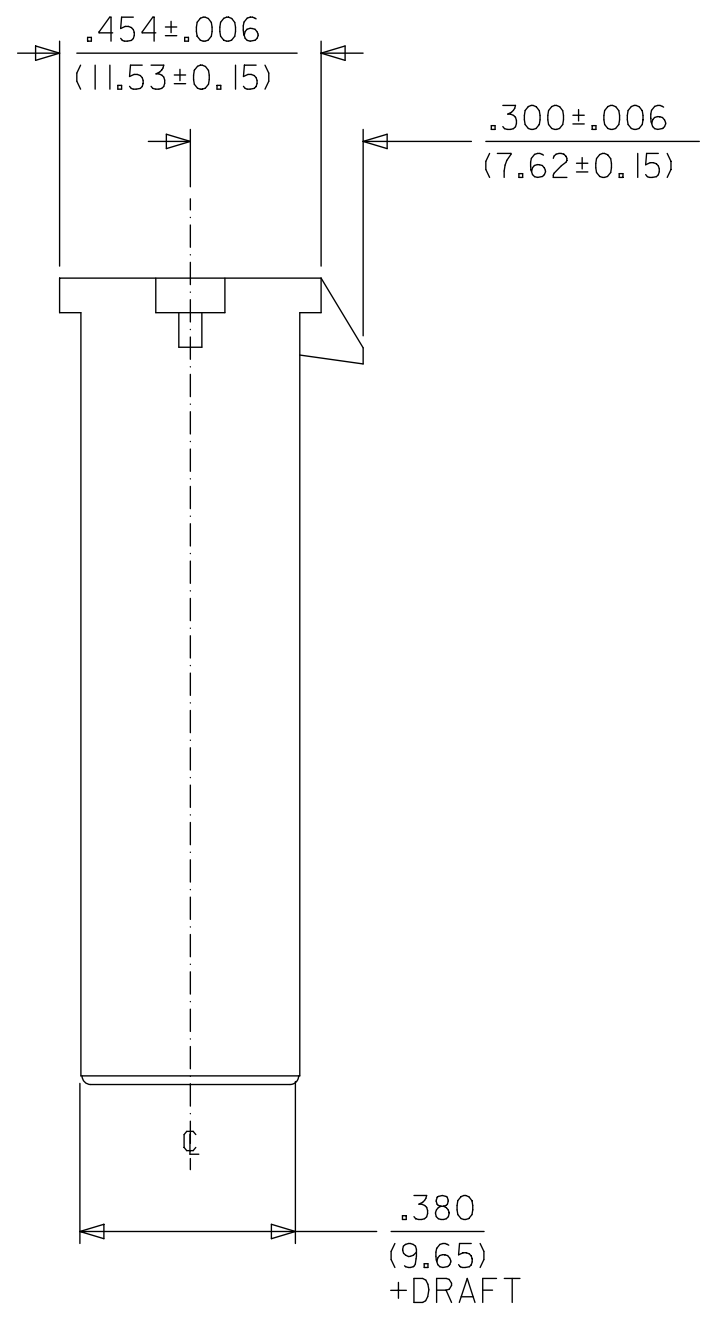
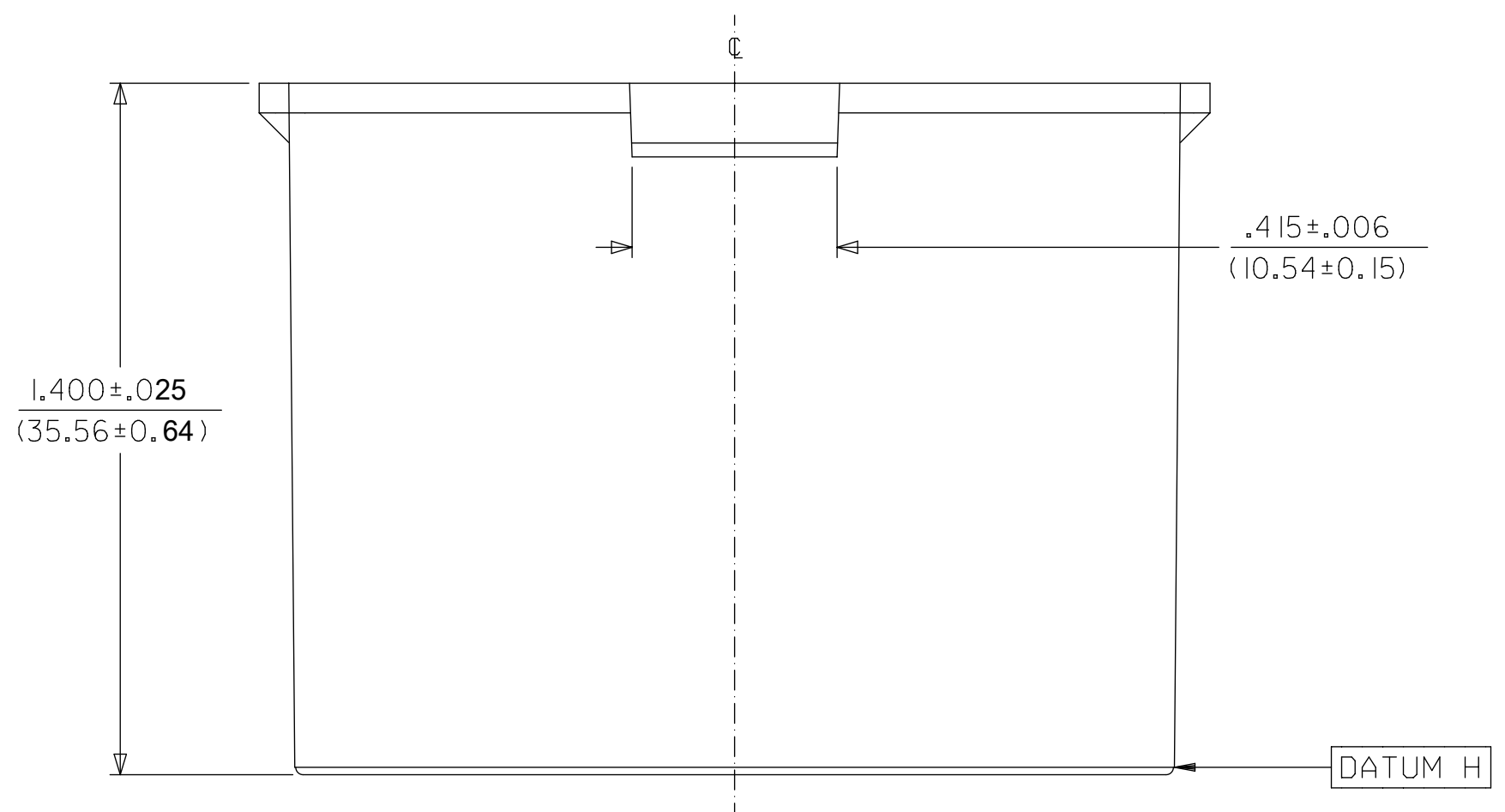
LOCKING NUB IS LOCATED HERE



**172673-\*006**  
(NO SCALE)

**NOTES:**

1. MATERIAL: SEE CHART.
2. FINISH: NONE.
3. PRODUCT SPECIFICATION: PS-171825-001.
4. PACKAGING: PK-43680-001.
5. THIS CONNECTOR HOUSING FOR USE WITH 171826 TERMINALS.
6. THIS CONNECTOR HOUSING WILL MATE TO 172672 OR 44441 HOUSINGS.
7. PARTS CONFORM TO CLASS B REQUIREMENTS OF COSMETIC SPEC PS-45499-002.  
- SOME PARTS MAY HAVE A BLEMISH NEAR THE GATE THAT DOES NOT AFFECT FUNCTIONALITY.
8. MOLDED IN SERIES NO. MAY BE 172673 OR 43680.



NOT TO SCALE

QUALITY SYMBOLS		THIS DRAWING CONTAINS INFORMATION THAT IS PROPRIETARY TO MOLEX ELECTRONIC TECHNOLOGIES, LLC AND SHOULD NOT BE USED WITHOUT WRITTEN PERMISSION														
▽ = 0	2017/09/20	GENERAL TOLERANCES (UNLESS SPECIFIED)		DIMENSION UNITS	SCALE											
▽ = 0	2017/10/25	MM	INCH	IN/MM	4:1											
▽ = 0	2017/10/27	4 PLACES	±	DRWN BY	DATE											
▽ = 0		3 PLACES	±	JDFOX	2014/07/24											
▽ = 0		2 PLACES	± 0.25	CHK'D BY	DATE											
▽ = 0		1 PLACES	± 0.35	BANDERSON	2014/07/24											
▽ = 0		0 PLACES	±	APPR BY	DATE											
▽ = 0				FSMITH	2014/07/24											
▽ = 0		ANGULAR TOL = 0.5		DRAWING SIZE	THIRD ANGLE PROJECTION											
▽ = 0		DRAFT WHERE APPLICABLE MUST REMAIN WITHIN DIMENSIONS		C												
▽ = 0		<table border="1"> <tr> <th colspan="2">PRODUCT CUSTOMER DRAWING</th> </tr> <tr> <td>SERIES</td> <td>MATERIAL NUMBER</td> </tr> <tr> <td>172673</td> <td>SEE CHART</td> </tr> <tr> <td>CUSTOMER</td> <td>GENERAL MARKET</td> </tr> </table>				PRODUCT CUSTOMER DRAWING		SERIES	MATERIAL NUMBER	172673	SEE CHART	CUSTOMER	GENERAL MARKET			
PRODUCT CUSTOMER DRAWING																
SERIES	MATERIAL NUMBER															
172673	SEE CHART															
CUSTOMER	GENERAL MARKET															
<table border="1"> <tr> <td>RELEASE STATUS</td> <td>P1</td> <td>RELEASE DATE</td> <td>27.10.2017</td> <td>20:27:22</td> </tr> </table>		RELEASE STATUS	P1	RELEASE DATE	27.10.2017	20:27:22	<table border="1"> <tr> <td>DOCUMENT NUMBER</td> <td>DOC TYPE</td> <td>DOC PART</td> <td>SHEET NUMBER</td> </tr> <tr> <td>SD-172673-001</td> <td>PSD</td> <td>001</td> <td>5 OF 5</td> </tr> </table>		DOCUMENT NUMBER	DOC TYPE	DOC PART	SHEET NUMBER	SD-172673-001	PSD	001	5 OF 5
RELEASE STATUS	P1	RELEASE DATE	27.10.2017	20:27:22												
DOCUMENT NUMBER	DOC TYPE	DOC PART	SHEET NUMBER													
SD-172673-001	PSD	001	5 OF 5													