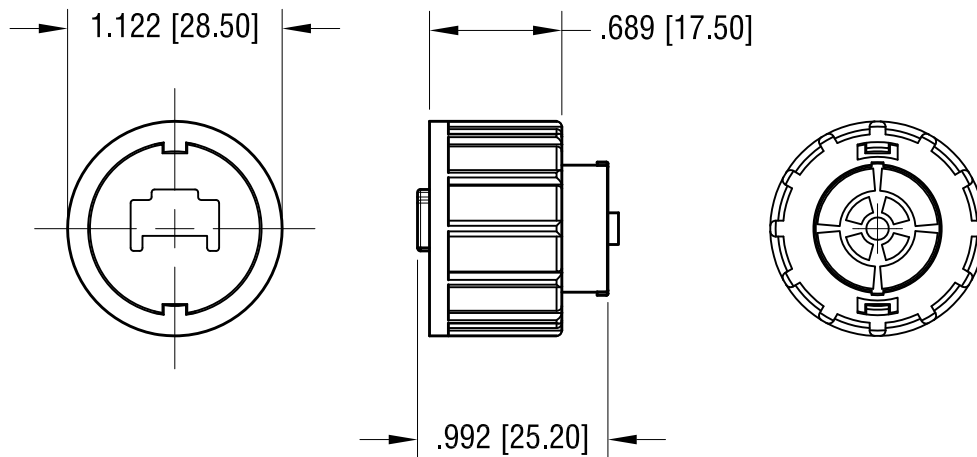
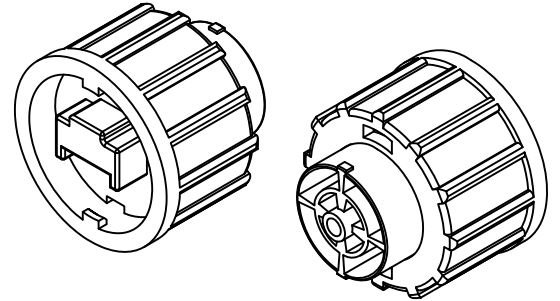


THIS DOCUMENT IS THE PROPERTY OF
KEYSTONE ELECTRONICS CORP. AND
SHALL NOT BE REPRODUCED, DISTRIBUTED
OR USED AS A BASIS FOR MANUFACTURE
WITHOUT PRIOR WRITTEN PERMISSION
FROM KEYSTONE ELECTRONICS CORP.

ACTUAL SIZE



KEYSTONE ELECTRONICS CORP.

www.keyelco.com • ASTORIA, N.Y. 11105-2017 • Tel (718) 956-8900

PART NAME

WATER PROOF KEYSTONE CAP

MATERIAL

THERMOPLASTIC, UL 94V-0 (BLACK COLOR)

FINISH

-

DRN BY

NT

DATE

4.04.16

APP'D

LN

SCALE

1X

TOLERANCES

INCH [MM]

DECIMAL

$\pm .005$ [± 0.13]

ANGULAR $\pm 1^\circ$

UNLESS OTHERWISE SPECIFIED

CODE

C

DWG NO.

963C

7.21.16 REVISED WATER TIGHT SEAL
CHANGE AS PER ECN 16-075

A

REV.

DATE

DESCRIPTION