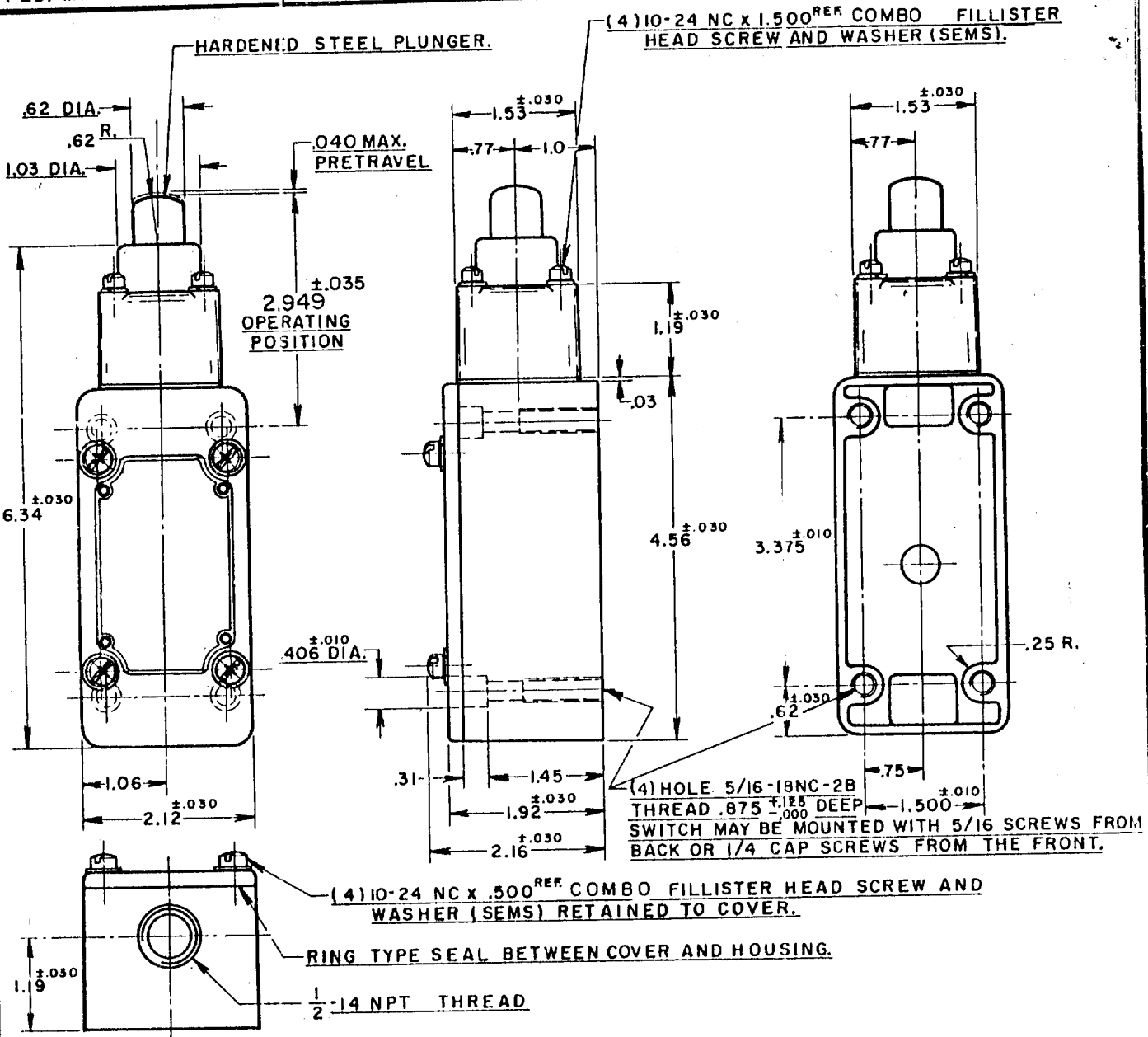


# MICRO SWITCH

A DIVISION OF AIRWEAPOLS-HONEYWELL REGULATOR COMPANY  
 PRESPORT, ILLINOIS  
 FED. MFR. CODE 91929

# SWITCH - ENCLOSED



102ML1 5



**NOTE -**

IT IS ESSENTIAL TO PREVENT ENTRANCE OF HARMFUL AGENTS THRU THE CONDUIT OPENING TO OBTAIN THE FULL BENEFIT OF THE SEALED CONSTRUCTION PROVIDED IN THIS UNIT.

THIS DRAWING COVERS A PROPRIETARY ITEM AND IS THE PROPERTY OF MICRO SWITCH, A DIVISION OF HONEYWELL. THIS DRAWING IS NOT TO BE COPIED OR USED WITHOUT THE APPROVAL OF MICRO SWITCH.

| CHARACTERISTICS                    | ELECTRICAL DATA (IMNI BASIC)   |   | SCALE 1/2 TO 1  |   |
|------------------------------------|--|---|---|---|
|                                    | OPERATING FORCE----- 6 LB. APPROX.   | CONTACT ARRANGEMENT<br>TWO CIRCUIT DOUBLE THROW<br>DOUBLE BREAK                       | BREAK DISTANCE  | DO NOT SCALE PRINT  |
| RELEASE FORCE----- 4 LB. APPROX.   | 10A-120, 240, 480, OR 600 VAC<br>1/2 HP-120 VAC ; 1 HP-240 VAC<br>0.8 A-115 VDC ; 0.4 A-230 VDC<br>PILOT DUTY: 600 VAC MAX |  | UNLESS OTHERWISE SPECIFIED<br>DIMENSIONS ARE IN INCHES<br><b>TOLERANCES ARE:</b><br>ONE PLACE (.0) ±.030<br>TWO PLACE (.00) ±.015<br>THREE PLACE (.000) ±.008<br>ANGLES ± |   |
| DIFFERENTIAL TRAVEL----- .020 MAX. |  |   |   |  |
| OVERTRAVEL----- .500 MIN.          |  |   |   |   |
| SWITCH-BASIC REPLACEMENT----- 1MNI |  |   |   |   |
| FREE PLAY----- .010 MAX.           |  |   |   |   |

(M) 102 ML 1  
 ISSUE 4  
 REPLACES  
 RELEASE NO.  
 CHECK  
 10 MAR 58  
 12789  
 26064  
 B S  
 JUNE 69  
 5505-B  
 A P  
 DEC 84  
 74287  
 J W  
 PR 93  
 3 MAR 58  
 GCH  
 12 MAR 58  
 CHECK  
 DRAWN  
 FO-50378