

PART NAME

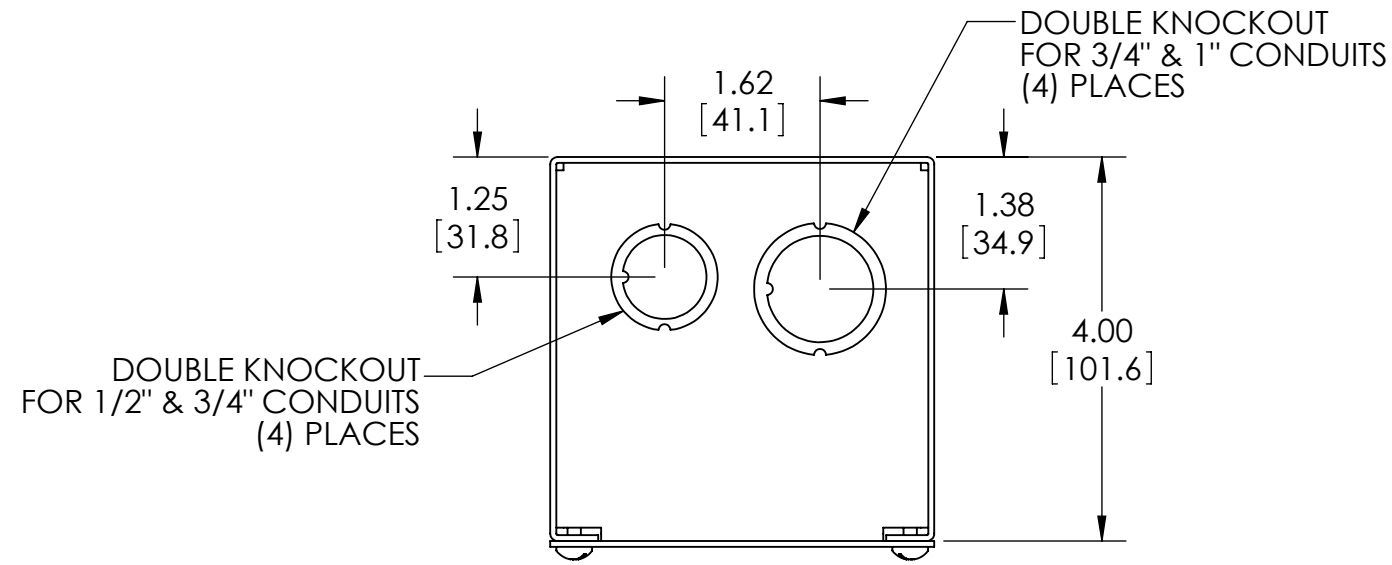
JUNCTION BOX w/ KNOCKOUTS

PART No.

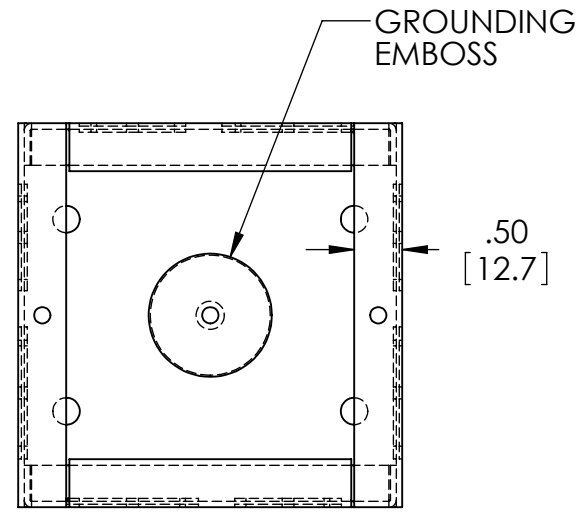
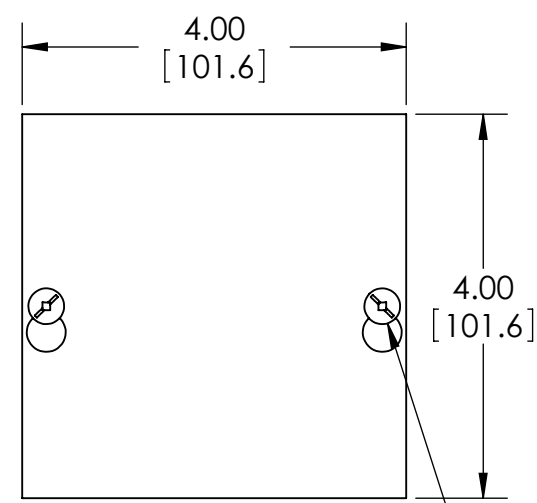
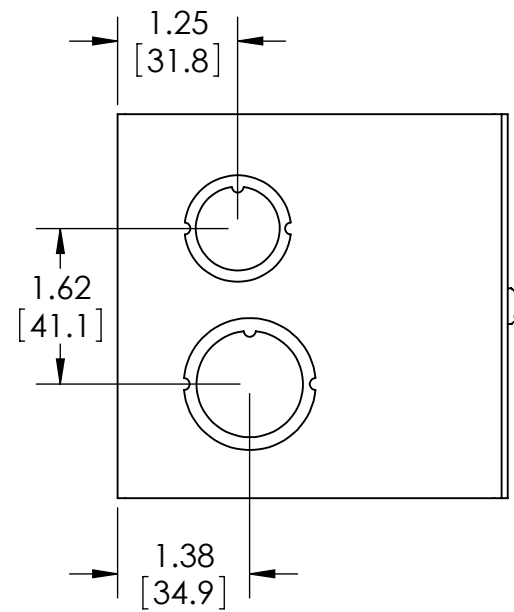
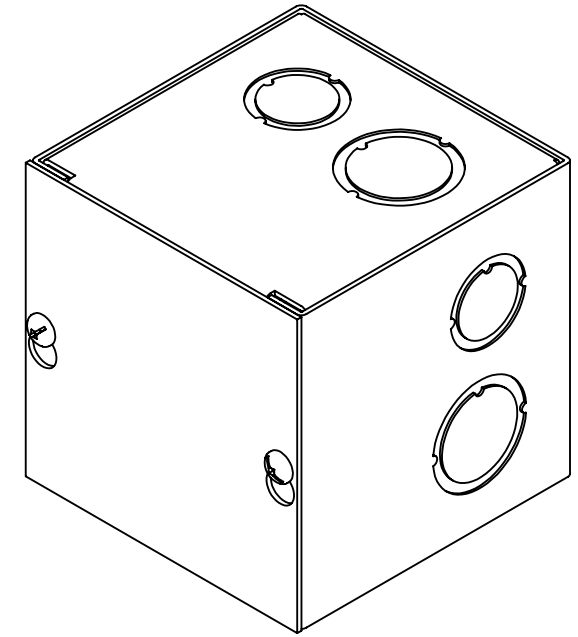
JB-3951-KO

REVISION DATE

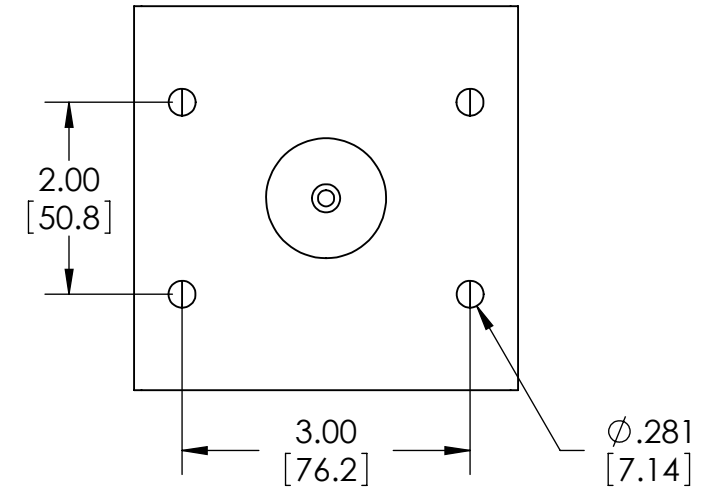
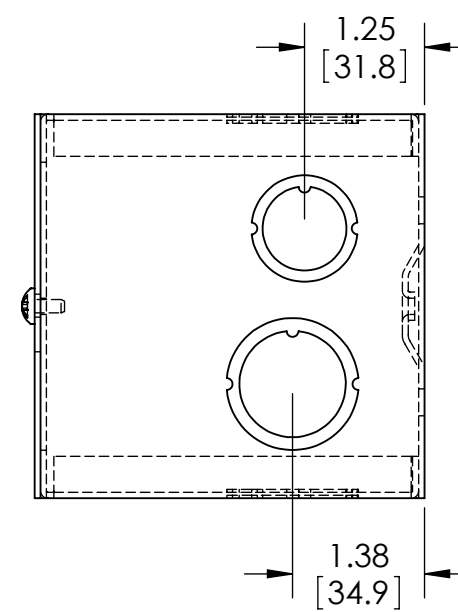
7-18-11



MATERIAL - 16 GA. [1.5mm] STEEL
FINISH - SMOOTH GRAY POWDERCOAT



COVER REMOVED



SCREWS: #10-32 x .31"[8mm] LG. MACHINE, PAN HEAD, SLOTTED/SQUARE COMBINATION STYLE DRIVE, STEEL, ZINC PLATED. (SUPPLIED FOR COVER MOUNTING AND FOR GROUND POINT).

