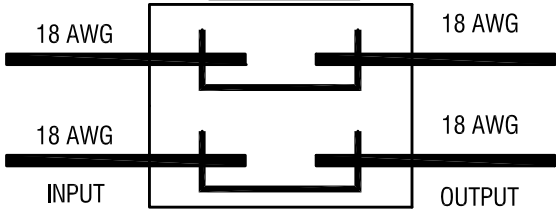
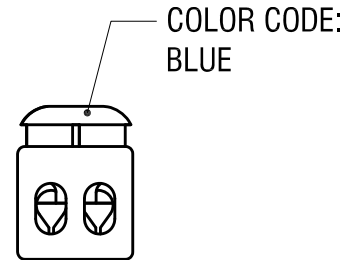
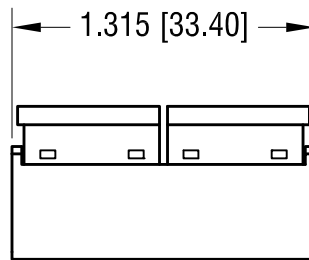
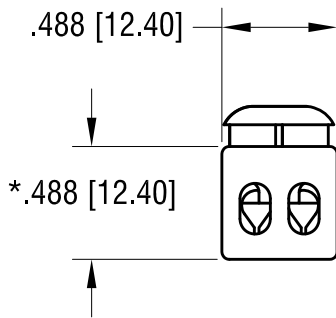
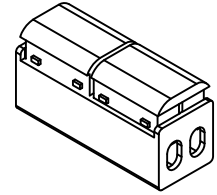


THIS DOCUMENT IS THE PROPERTY OF  
KEYSTONE ELECTRONICS CORP. AND  
SHALL NOT BE REPRODUCED, DISTRIBUTED  
OR USED AS A BASIS FOR MANUFACTURE  
WITHOUT PRIOR WRITTEN PERMISSION  
FROM KEYSTONE ELECTRONICS CORP.

**SCHEMATIC**



**ACTUAL SIZE:**



**NOTE:**

1. 2 PIN TO 2 PIN TWO WAY SERIES
2. INSULATION: MAT'L- POLYCARBONATE, LEXAN UL 94V-0
3. CONTACT: MAT'L- COPPER ALLOY  
FINISH- TIN PLATE, OVER NICKEL PLATE
4. FOR WIRE: SOLID WIRE  
WIRE SIZE: 18 AWG, INPUT / OUTPUT
5. RATED VOLTAGE 300V  
RATED CURRENT: 10 A
6. UL LISTED: E490622

\* HEIGHT OF CLOSED CONNECTOR

|  |        |             |         |
|--|--------|-------------|---------|
| <b>KEYSTONE ELECTRONICS CORP.</b>                              |        |             |         |
| www.keyelco.com • NEW HYDE PARK, NY 11040 • Tel (516) 328-7500 |        |             |         |
| PART NAME  |        |             |         |
| TWO WAY SERIES WIRE CONNECTOR                                  |        |             |         |
| MATERIAL   |        |             |         |
| AS NOTED   |        |             |         |
| FINISH   |        | DRN BY      | DATE    |
| AS NOTED   |        | NT          | 1.06.17 |
|  |        | APP'D       | SCALE   |
|  |        | LN          | 1.2X    |
| TOLERANCES   | INCH   | [MM]        | CODE    |
| DECIMAL  | ± .010 | [± 0.25 ]   | C       |
| ANGULAR  | ± 1°   |             |         |
| UNLESS OTHERWISE SPECIFIED                                     |        |             |         |
| DWG NO.  |        | <b>8361</b> |         |

|      |             |      |
|------|-------------|------|
| DATE | DESCRIPTION | REV. |
|      |             |      |