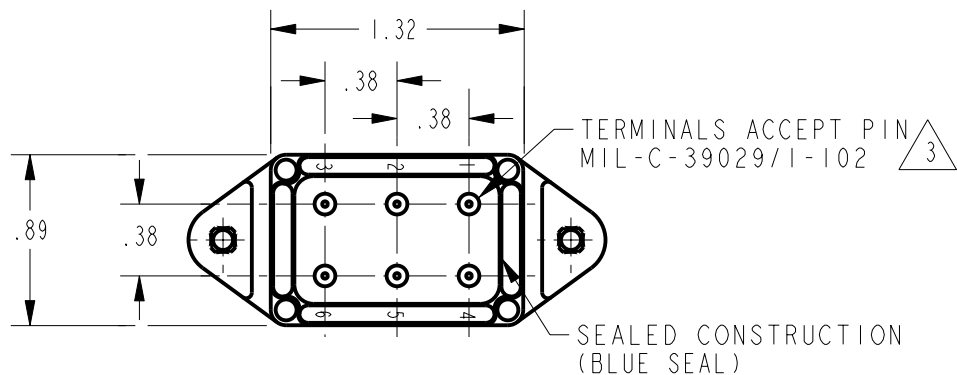
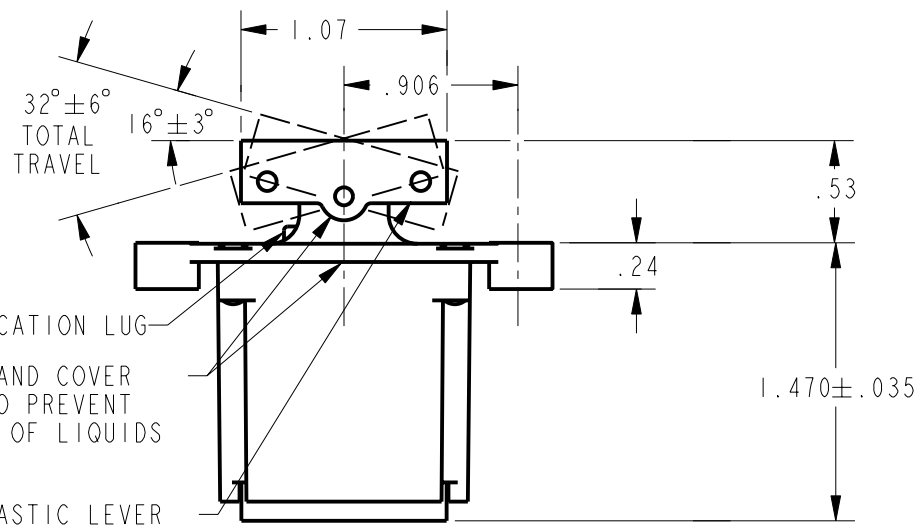
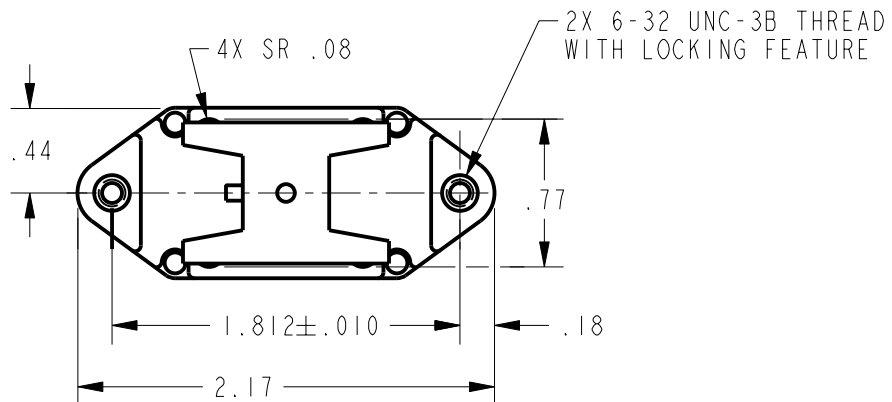


CATALOG LISTING 102TP81 SERIES CHART 1  
 PAGE 1 OF 1  
 RELEASE NO. PR-20331  
 REPLACES -  
 CHECK  
 REVISIONS  
 A 204410  
 GJW  
 16NOV01  
 CHECK  
 16 NOV 01  
 SAV  
 CHECK  
 16 NOV 01  
 GJW  
 DRAWN  
 PTC/CAD 2D



- NOTES
- 1 - CIRCUIT DESIGNATION AND MICRO SWITCH CATALOG LISTING MARKED ON SIDE OF SWITCH
  - 2 - SWITCHES ARE CAPABLE OF WITHSTANDING A TEMPERATURE OF 160°F CONTINUOUSLY AT FULL RATED LOAD
  - 3 - THE SEALING GROMMET SHALL SEAL ON A SMOOTH WIRE INSULATION OF Ø.040 TO Ø.083 (14-16 GAGE)
  - 4 - UNUSED TERMINAL HOLES MAY BE SEALED WITH PLUGS M83723/28-16
  - 5 - APPLIES ONLY TO "ON" AND "MOMENTARY ON" POSITIONS

CATALOG LISTING	CIRCUIT MADE WITH 5 △ BUTTON DEPRESSED ON		
	LUG SIDE (1-2,4-5)	CENTER (1-2,4-5)	OPPOSITE LUG (2-3,5-6)
102TP81-1	ON	OFF	ON
102TP81-2	OFF	NONE	ON
102TP81-3	ON	NONE	ON
102TP81-21	NONE	OFF	ON
102TP81-31	NONE	ON	ON
102TP81-4	MOM OFF	NONE	ON
102TP81-5	MOM ON	OFF	ON
102TP81-6	MOM ON	NONE	OFF
102TP81-7	MOM ON	OFF	MOM ON
102TP81-8	MOM ON	NONE	ON
102TP81-51	NONE	ON	MOM ON
102TP81-61	MOM ON	OFF	NONE

ELECTRICAL DATA

L191 15A 125, 250, 277 VAC  
1/2HP 125 VAC  
1HP 250, 277 VAC  
5A 125 VAC "L"

CE



L192 10A 125, 250, 277 VAC  
1/4HP 125 VAC,  
1/2HP 250, 277 VAC  
3A 125 VAC "L"

CE



THIRD ANGLE PROJECTION	
SCALE	FULL
DO NOT SCALE PRINT	
UNLESS OTHERWISE SPECIFIED TOLERANCES ARE	
ONE PLACE	(.0) ±.030
TWO PLACE	(.00) ±.015
THREE PLACE	(.000) ±.005
ANGLES	±
WEIGHT	