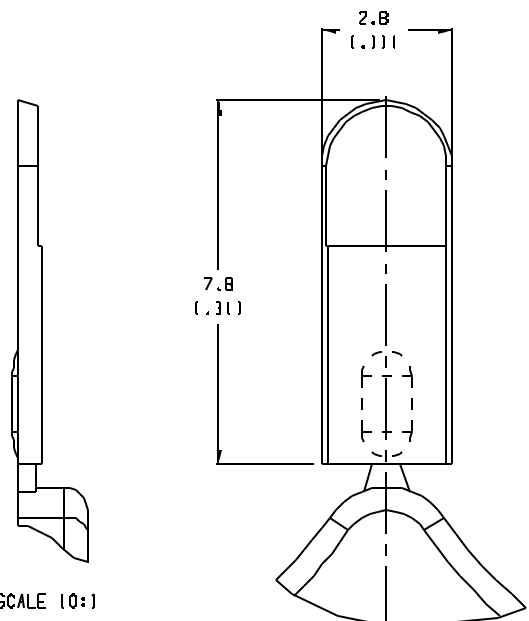
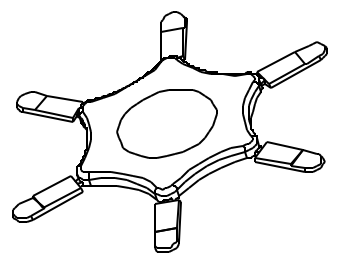


SECTION Z-Z



SCALE 10:1

DETAIL A
SCALE 10:1

- NOTES:
1. MATERIAL: SEE TABLE
 2. FINISHES: SEE TABLE
 3. PRODUCT SPECIFICATION: NOT REQUIRED
 4. PACKAGING: NOT REQUIRED
 5. MATES WITH: NONE

PLUG CODING PIN	THERMOPLASTIC	RED
DESCRIPTION	MATERIAL	FINISH

EC NO. RELEASED DRWN: CLY CHK: [] APPR: [] A	DESCRIPTION MAJOR [] CRITICAL [] SPEC [] S []	GENERAL TOLERANCES (UNLESS SPECIFIED) mm inch		SCALE 2:1	DESIGN UNITS <input type="checkbox"/> mm <input checked="" type="checkbox"/> INCH	THIRD ANGLE PROJECTION <input checked="" type="checkbox"/> THIRD ANGLE <input type="checkbox"/> FIRST ANGLE	PROJECT NO.: - - - DIMENSIONS: <input checked="" type="checkbox"/> DIM INCH <input type="checkbox"/> DIM mm <input type="checkbox"/> DIM ONLY	SHEET REV 1 OF 1
		1 PLACES ±.0015 3 PLACES ±.038 ±.005 2 PLACES ±.13 ±.01 1 PLACE ±.3	ANGLE: ±2° DRAFT WHERE APPLICABLE MUST REMAIN WITHIN DIMENSIONS	DRAWN BY & DATE C. YORK 03-04-04 CHECKED BY & DATE APPROVED BY & DATE	TITLE: PLUG CODING PINS, 42, 86, AND 94 SERIES PLUGS MOLEX INCORPORATED	MATERIAL NO. 38002-1701	DRAWING NO. SD-38002-035	SHEET NO. 1 OF 1

THIS DRAWING CONTAINS INFORMATION THAT IS PROPRIETARY TO MOLEX INCORPORATED AND SHOULD NOT BE USED WITHOUT WRITTEN PERMISSION.