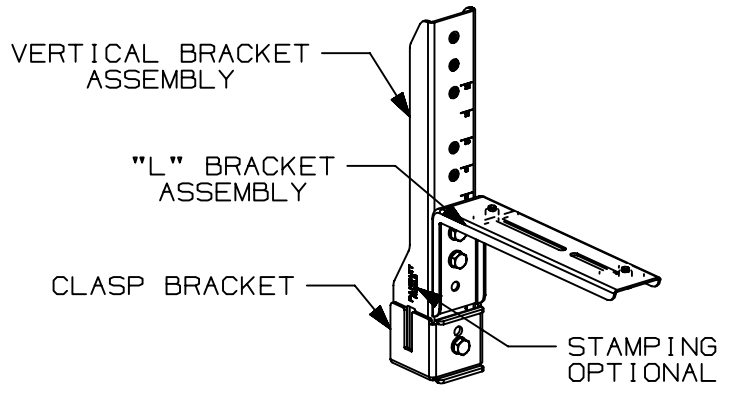
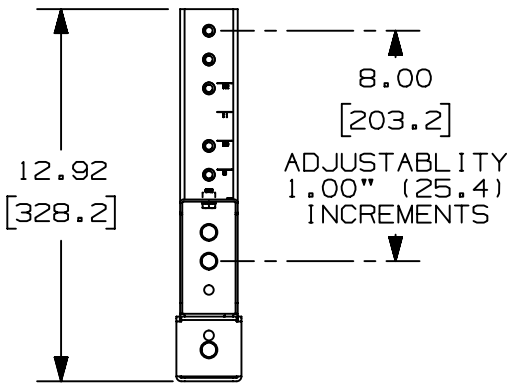
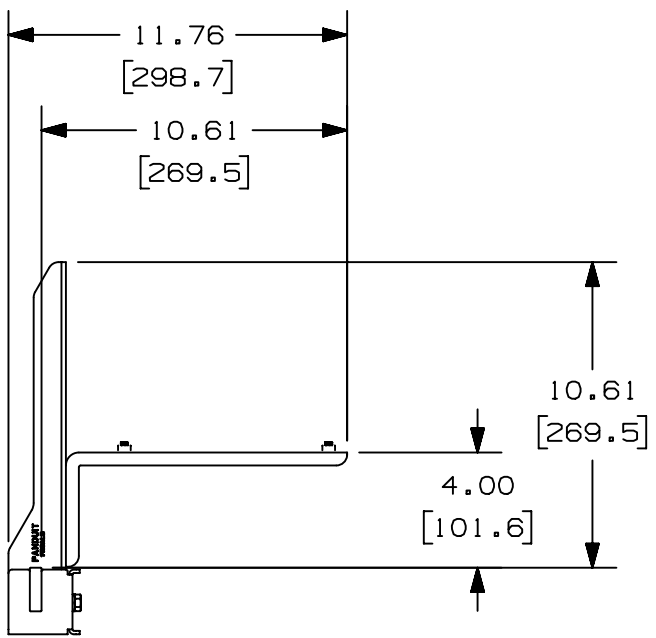
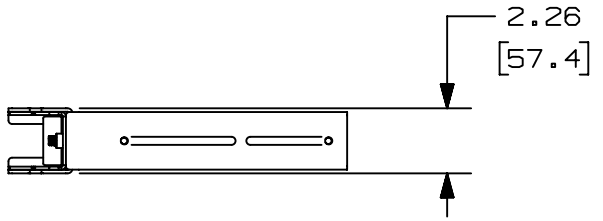


THIS COPY IS PROVIDED ON A RESTRICTED BASIS AND IS NOT TO BE USED IN ANY WAY DETRIMENTAL TO THE INTERESTS OF PANDUIT CORP.

PANDUIT PART NUMBER	WEIGHT
FR6ALB	2.89 LB/EACH (1310g/EACH)

NOTES:

- SEE CURRENT CATALOG FOR ADDITIONAL PART SUFFIXES TO INDICATE PACKAGE QUANTITY.
- THE FIBERRUNNER 4x4 AND 6x4 QUIKLOCK ADJUSTABLE LADDER RACK BRACKET ALLOWS FOR THE FIBERRUNNER 4x4 AND/OR 6x4 CABLE ROUTING SYSTEMS TO BE MOUNTED TO THE STRINGER OF 3/8"x1 1/2" (9.5x38.1) OR 3/8"x2" (9.5x50.8) LADDER RACK.
- THE FIBERRUNNER 4x4 AND 6x4 QUIKLOCK ADJUSTABLE LADDER RACK BRACKET INCLUDES:  
ONE (1) CLASP BRACKET,  
ONE (1) VERTICAL BRACKET ASSEMBLY,  
ONE (1) "L" BRACKET ASSEMBLY,  
THREE (3) 5/16 HELICAL SPRING LOCKWASHERS,  
THREE (3) 5/16-18x3/4 HEX HEAD CAP SCREWS
- FINISH COLOR: BLACK (EXCEPT FOR HARDWARE)
- DIMENSIONS IN PARENTHESES ARE IN METRIC.



B

B

A

A

TITLE		FIBERRUNNER 4X4 AND 6X4 QUIKLOCK ADJUSTABLE LADDER RACK BRACKET		
		CUSTOMER DRAWING		
ITEM REVISION NAME		D37585DG/04		
DATASET FILE NAME		D37585DG_DC/04B		
		MATERIAL: N/A		
DRAWING NUMBER:		37585-79		
THIRD ANGLE PROJECTION				
DRAWN BY	DATE	CHK	SCALE	SIZE
MSO	12-07-00	CVV	NONE	A
DESCRIPTION		SHT 1 OF 1		

REV	DATE	BY	CHK	APR	DESCRIPTION	ECN
04B	9/12/19	MEX-JAGC	FWI	FWI	P. "STAMPING OPTIONAL" LABEL ADDED SEE PREVIOUS REVISION FOR HISTORY	V09002CN/07

D10100DA/20