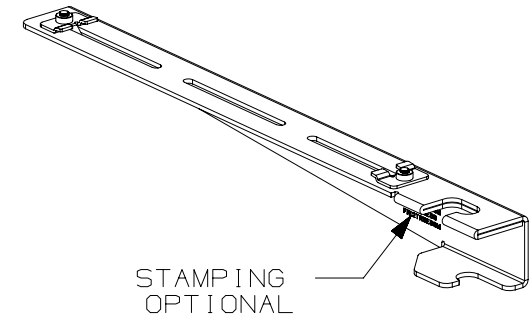
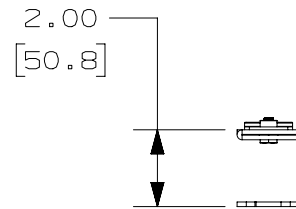
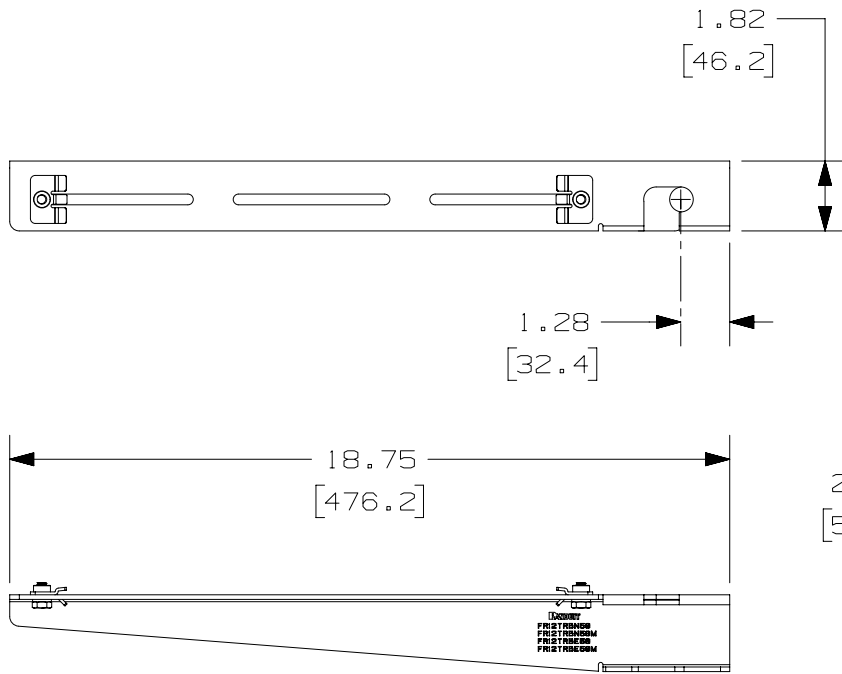


THIS COPY IS PROVIDED ON A RESTRICTED BASIS AND IS NOT TO BE USED IN ANY WAY DETRIMENTAL TO THE INTERESTS OF PANDUIT CORP.

PANDUIT PART NUMBER	WEIGHT
FR12TRBN58 FR12TRBN58M	2.38 LB/EACH (1079g/EACH)

NOTES:

1. SEE CURRENT CATALOG FOR ADDITIONAL PART SUFFIXES TO INDICATE PACKAGE QUANTITY.
2. THE FIBERRUNNER 12x4 QUIKLOCK NEW THREADED ROD BRACKET IS USED TO SUPPORT THE FIBERRUNNER 12x4 CABLE ROUTING SYSTEM FROM A SECTION OF NEW 5/8" (M16) THREADED ROD (NOT INCLUDED).
3. THE FIBERRUNNER 12x4 QUIKLOCK NEW THREADED ROD BRACKET INCLUDES:
ONE (1) BRACKET ASSEMBLY,
TWO (2) 5/8 HELICAL SPRING LOCKWASHERS,
TWO (2) 5/8-11 HEAVY HEX NUTS (FR12TRBN58 ONLY),
TWO (2) M16x2 HEX NUTS (FR12TRBN58M ONLY),
ONE (1) 1/4-20 T-BOLT,
ONE (1) 1/4-20 HEX KEPS NUT
4. FINISH COLOR: BLACK (EXCEPT HARDWARE)
5. DIMENSIONS IN PARENTHESES ARE IN METRIC.



02B	9/10/19	MEX-JAGC	FWI	FWI	H. "STAMPING OPTIONAL" LABEL ADDED SEE PREVIOUS REVISION FOR HISTORY	V09002CN/00			
REV	DATE	BY	CHK	APR	DESCRIPTION	ECN			

TITLE FIBERRUNNER 12X4 QUIKLOCK NEW THREADED ROD BRACKET 5/8" (M16) THREADED ROD CUSTOMER DRAWING									
ITEM REVISION NAME D37797CR/02					PANDUIT				
DATASET FILE NAME D37797CR_DC/02B									
					MATERIAL: N/A				
					DRAWING NUMBER: 37797-46				
DRAWN BY JHNU		DATE 05-30-01		CHK CFG		SCALE NONE		SHT 1 OF 1	
								A	

D10100DA/20