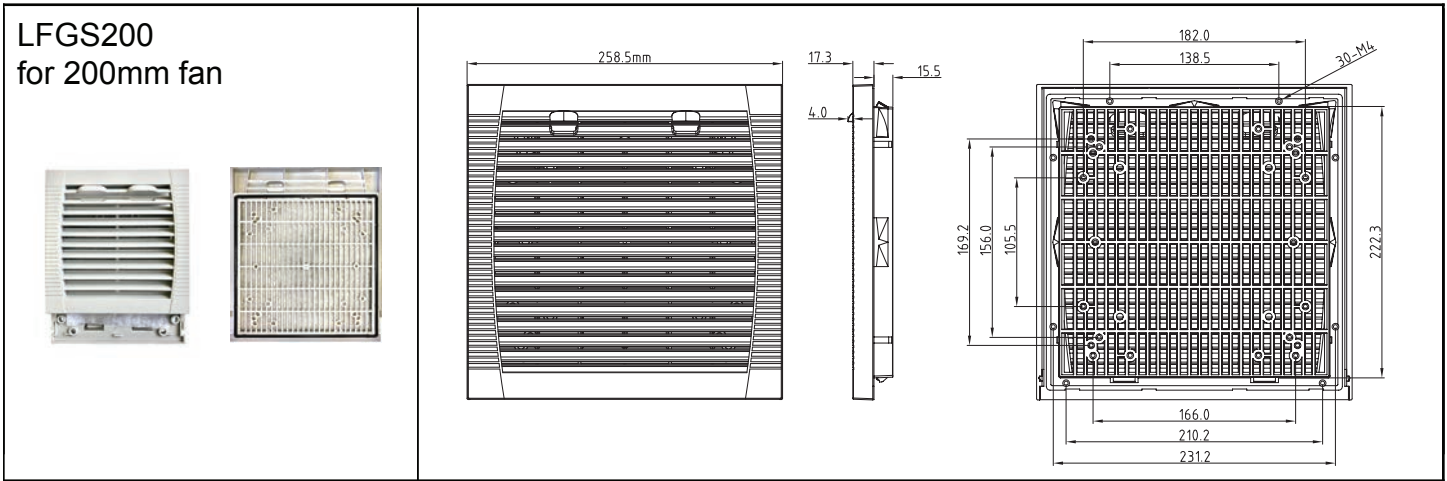
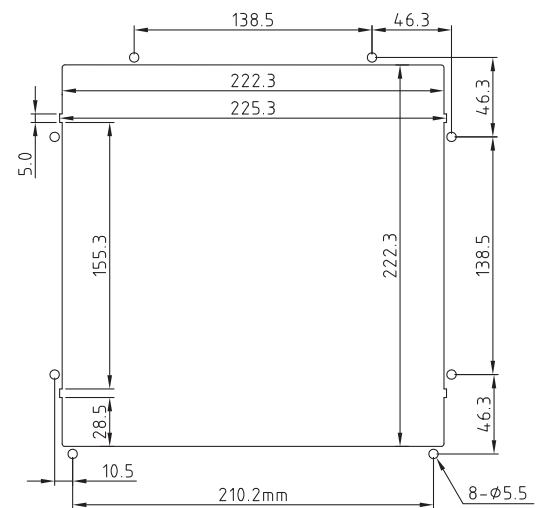


Louvered Fan Guards (slide type)

Easy Access to Media



Part Number	LFGS200
Frame Description	ABS Resin - flame resistant UL94V-0, with UV protection. Vents with screens at 45-degree angle. Includes high foam sealing edge - protection grade IP44-IP54. Snap-fit or screw mount.
Filter Mesh Material	Nylon Fiber - Synthetic Resin, filters to 8 microns.
Color	Gray is standard. Black is available upon request. Minimums may apply.
Matching Series	OA200AN, OD172, OA162, OA172S, OA5920, OA225, OA180, OD180
Hardware	1 bag - 8 ea. M4x8, washer, lock washer 1 bag - 4 ea. M4x12, nut, star washer



PANEL CUTOUT