

# Woodhead LED Stringlight



**Energy-efficient, high-performance Woodhead LED Stringlights are designed for temporary use and to reduce operational costs, infrastructure requirements and maintenance in commercial and industrial applications**

## Features and Benefits

### Low energy consumption

14W per light engine and 140W per 100-foot string provides over 2100 lumens per light engine

### Reduced maintenance during use

No lamp replacement, with integral long-life LED light engines  
Easy installation – no separate guards or lamps to deal with

### Low-profile design affords more headroom

LED String Lights provide 4 to 5 inches of extra headroom compared with traditional strings

### Less required infrastructure for temporary power

Can power up to 12 100-foot strings from a single outlet  
Smaller wire gauges needed to supply power for lighting  
Fewer outlets  
Smaller generators  
Less temporary power equipment

### High productivity with 5000K color temperature

5000K color temperature provides a more natural color temperature than incandescent lamps

### High durability

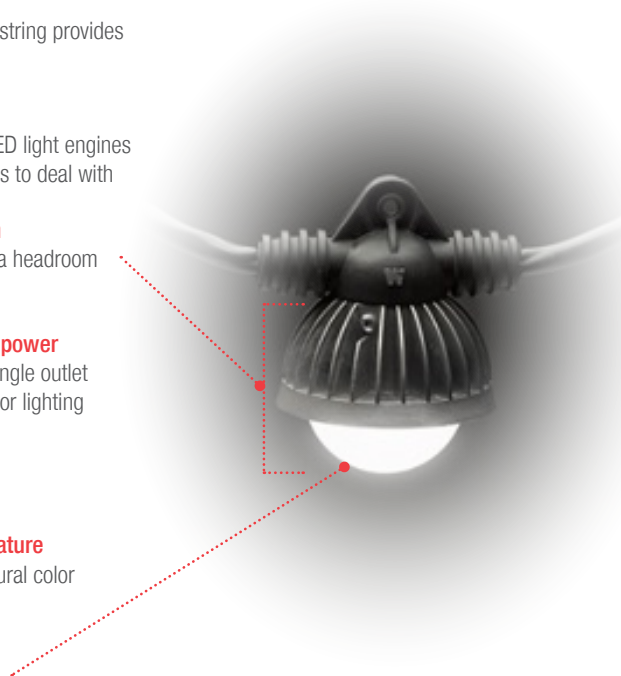
Polycarbonate lens protects light source  
Outdoor rated and able to withstand the elements



LED String Light



NEMA 5-15 Cord Ends



## Applications

### Electrical and Industrial

Commercial construction contractors  
Industrial MRO customers needing durable temporary lighting

### Industrial

Oil and gas customers  
(for non-hazardous locations)

Shipyards - Low profile, low maintenance, and durability are the primary selling points in this market



Commercial Construction



Shipyards




Oil and Gas

# Woodhead LED Stringlight



## Specifications

### REFERENCE INFORMATION

Designed In: Feet  
 Plug and Connector Configuration: NEMA 5-15  
 Standard: UL1088  
 SJTW and STW Cable: Plug and connector are molded on  
 SOOW: uses Watertite devices  
 Listing: cULus file no. E112216 

### MECHANICAL

Length (Ft): 25, 50 and 100  
 Light Engine count: 2, 5 and 10  
 Cable type: 12/3 SJTW, 12/3 STW, 12/3 SOOW

### ELECTRICAL

Voltage Rating: 125V  
 Wattage per Light Engine: 14W  
 Wattage per Light String: 140W per 100ft

### LIGHTING

Lumen Output per Light Engine: 2128 lumens  
 Color Temperature: 5000K  
 Color Rendering Index (CRI): 80

### PHYSICAL

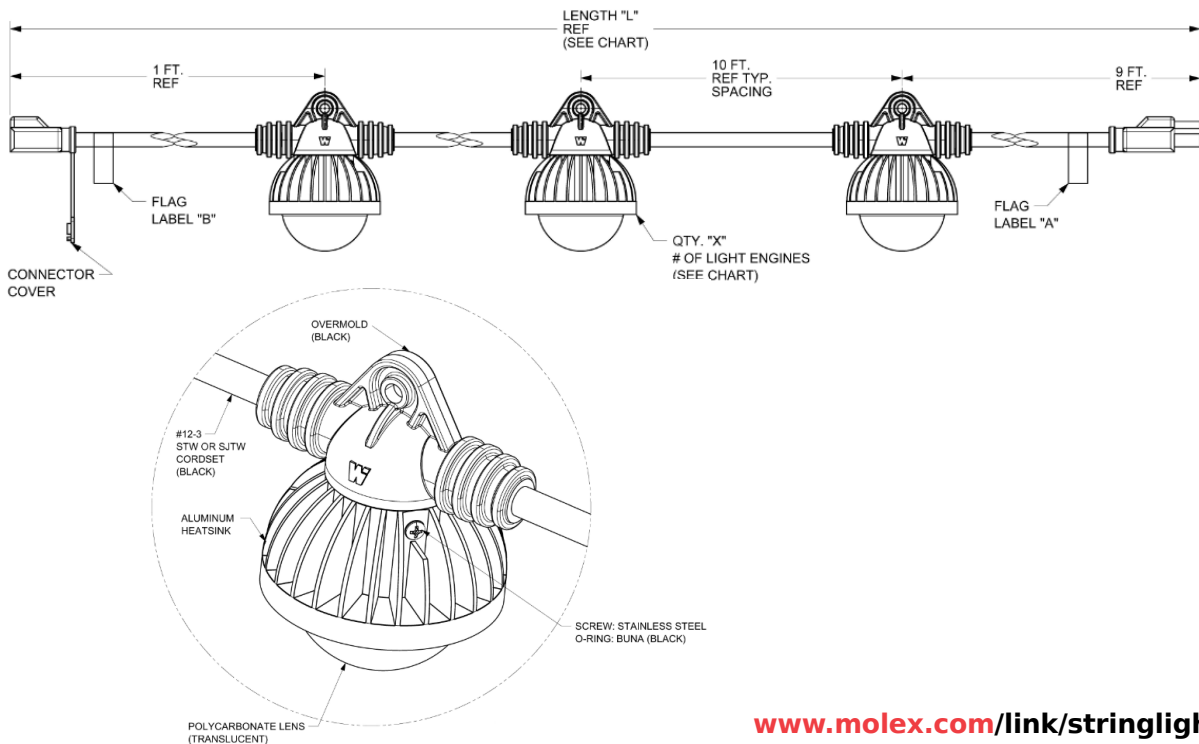
Cord: STW, SJTW, or SOOW  
 Junction Overmold Material: Alcryn 2080BK  
 Heatsink: Cast Aluminum  
 Lens: Polycarbonate

### ENVIRONMENTAL

Rated for outdoor use, wet-locations

## Ordering Information

Order No.	Engineering No.	Cable Type	Length "L" (Ft)	Quantity "X" of Light Engines	Wattage per Light String	Max. Strings Plugged End-to-End
1301110100	123JR100-14W10515M	#12/3 SJTW	100	10	140	12
1301110101	123JR50-14W10515M	#12/3 SJTW	50	5	70	24
1301110112	123JQ25-14W10515M	#12/3 SJTW	25	2	28	50
1301110102	123TR100-14W10515M	#12/3 STW	100	10	140	12
1301110103	123TR50-14W10515M	#12/3 STW	50	5	70	24
1301110117	123WR100-14W10515	#12/3 SOOW	100	10	140	12
1301110118	123WR50-14W10515	#12/3 SOOW	50	5	70	24



[www.molex.com/link/stringlights.html](http://www.molex.com/link/stringlights.html)

Molex is a registered trademark of Molex, LLC in the United States of America and may be registered in other countries; all other trademarks listed herein belong to their respective owners.