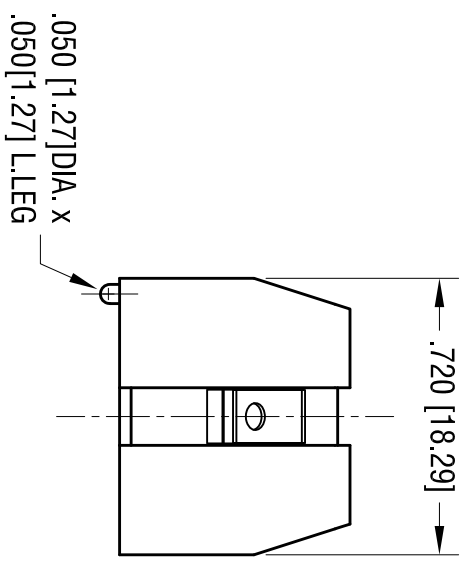
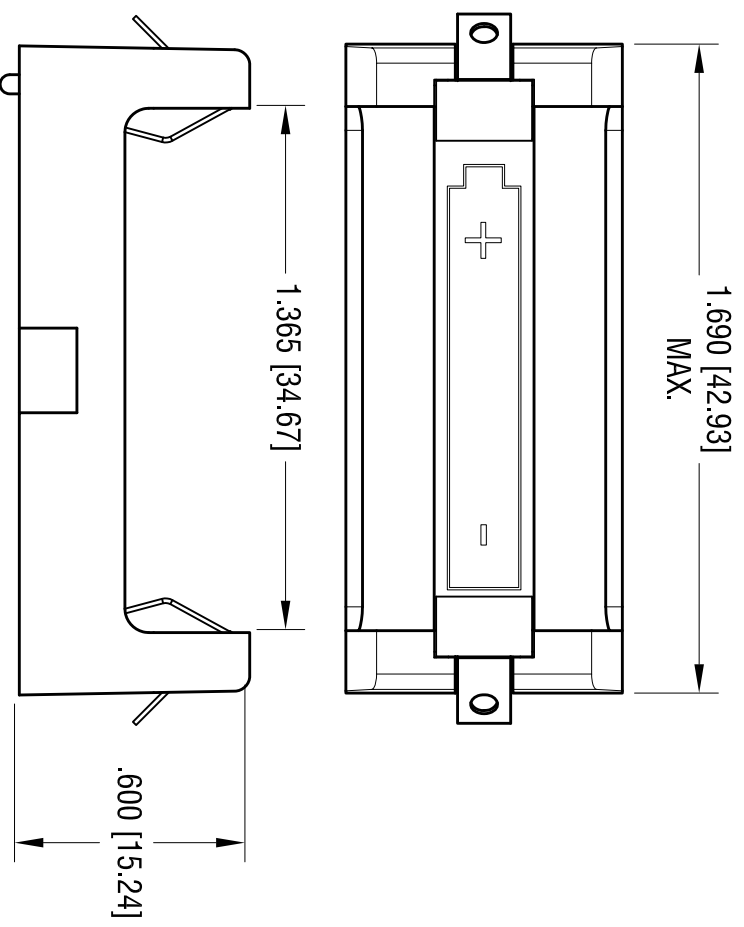
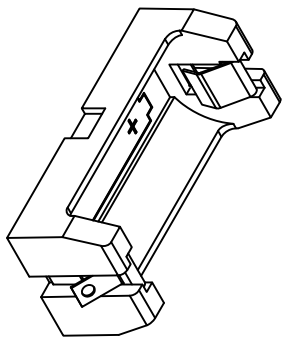


DATE	DESCRIPTION	REV.
6.19.19	CHANGE AS PER ECN 19-058 BASE WAS NYLON NAT'L	A



NOTE:
 1. BASE:
 MAT'L: PBT (COLOR BLACK)
 2. CONTACT:
 MAT'L: .012 [0.30] THK STAINLESS STEEL
 FINISH: TIN NICKEL PLATE.



ACTUAL SIZE

THIS DOCUMENT IS THE PROPERTY OF KEYSTONE ELECTRONICS CORP. AND SHALL NOT BE REPRODUCED, DISTRIBUTED OR USED AS A BASIS FOR MANUFACTURE WITHOUT PRIOR WRITTEN PERMISSION FROM KEYSTONE ELECTRONICS CORP.

KEYSTONE ELECTRONICS CORP.			
www.keyelco.com • NEW HYDE PARK, NY 11040 • Tel (516) 328-7500			
PART NAME SOLDER LUG 2/3A BATTERY HOLDER			
MATERIAL AS NOTED			
FINISH AS NOTED	DRN BY NT	DATE 7.11.16	
TOLERANCES DECIMAL ± .010 [± 0.25] ANGULAR ± 1°	CODE C	DWG NO. 1119	App'D LN
		SCALE 2X	