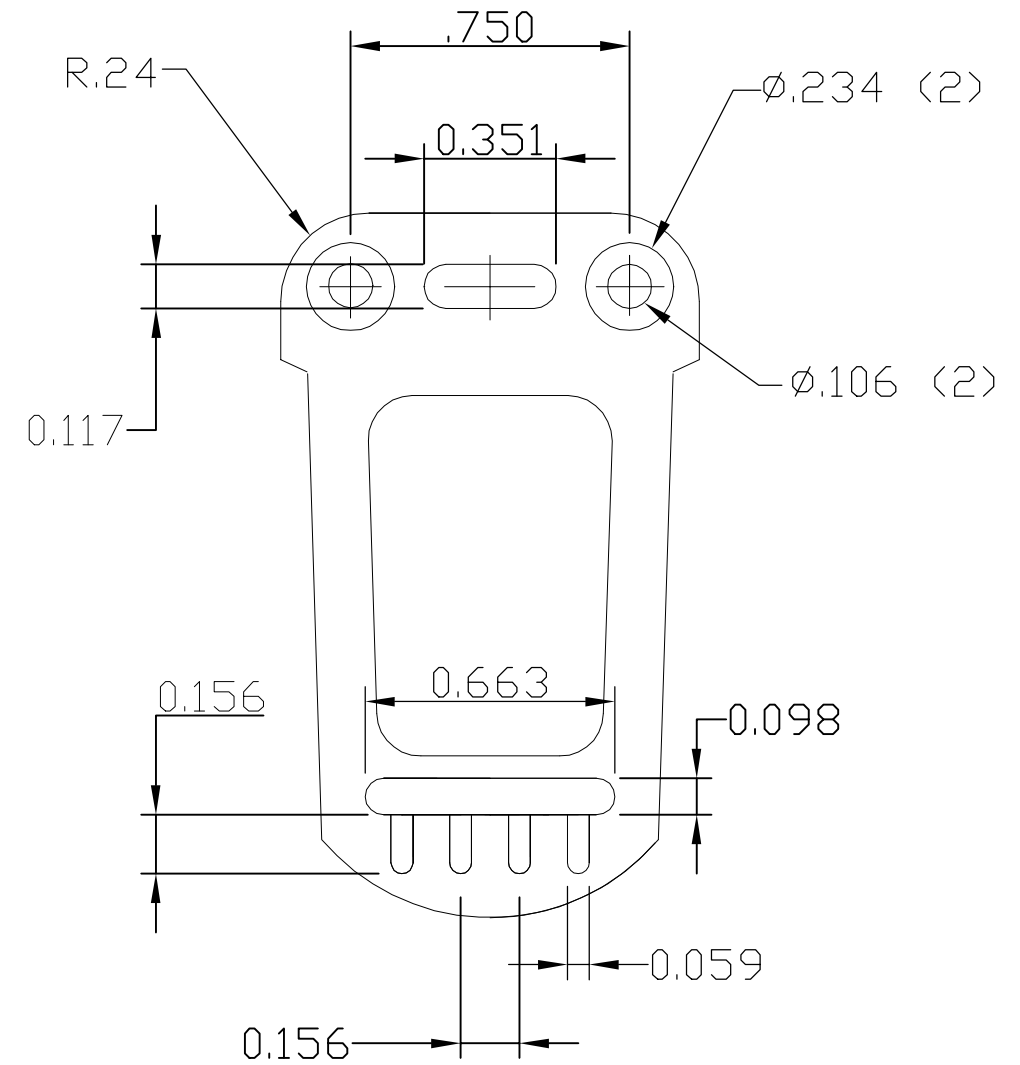
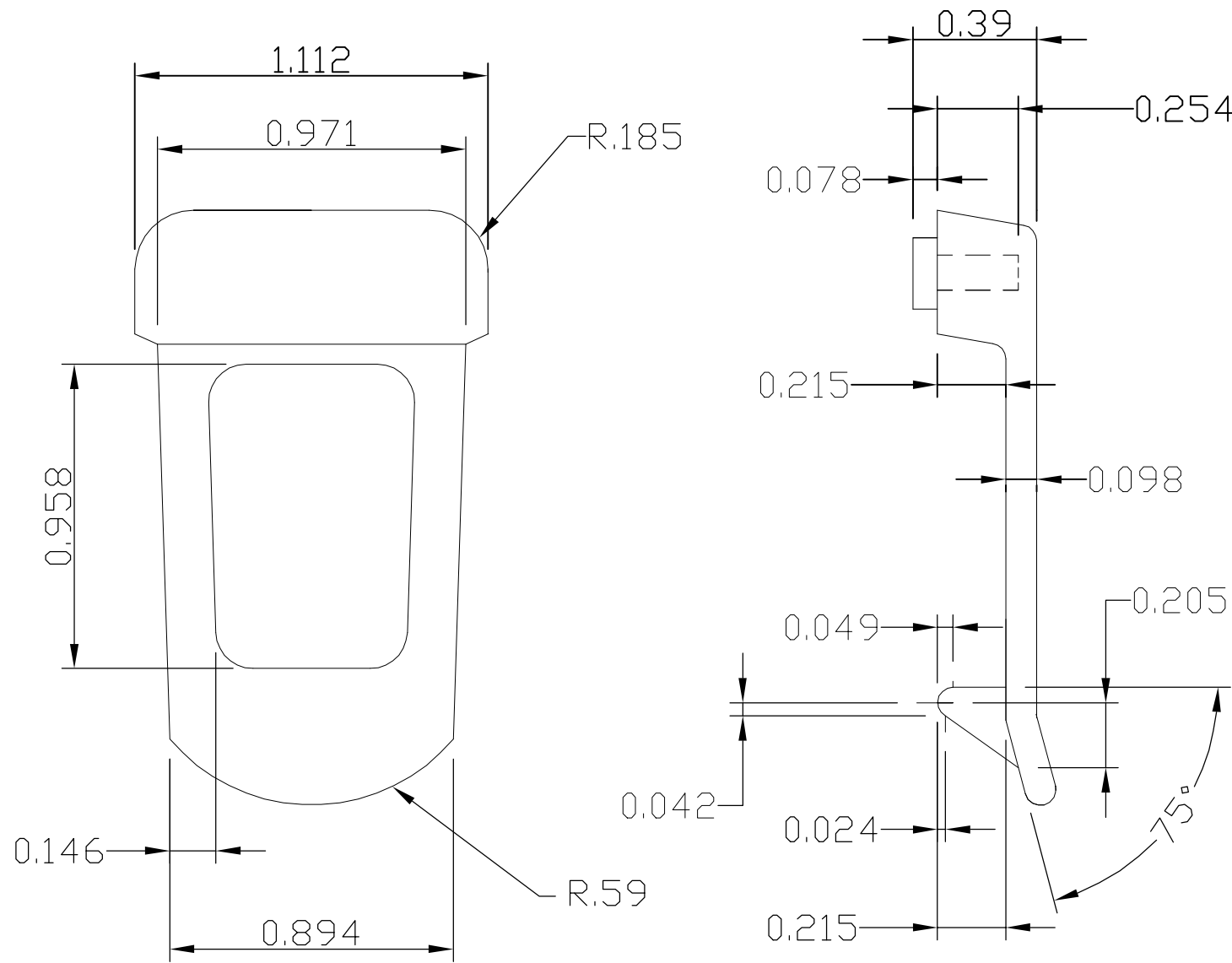



DWG. NO.	HH-3495-BC
ISSUE	REVISIONS



MATERIAL: ABS UL94-HB  
 FINISH: LIGHT TEXTURE  
 BLACK (HH-3595-BCB) OR  
 LIGHT GRAY (HH-3595-BCG).

NOTES:

- 1) 2 PCS. MOUNTING HARDWARE INCLUDED (SCREW, M3.5x6mm, THREAD FORMING, ZINC PLATED STEEL).
- 2) TO MOUNT TO ENCLOSURE, DRILL (2) 0.234 DIA. MIN. HOLES ON .750 CENTERS

QTY.	USED ON	TOLERANCES:	ITEM	REQ'D.	PART NO.	DESCRIPTION	
		±.005 BETWEEN HOLE CENTERS ±.015 FROM SHEARED EDGE ±.032 FROM A BENT SURFACE ±.063 BETWEEN ASSEMBLED SURFACES UNLESS OTHERWISE SPECIFIED	MAT:	AS NOTED	SCALE:	NAME: BELT CLIP	
			FINISH:	AS NOTED			
				DR. DP	5-24-05	 BUD INDUSTRIES, INC. WILLOUGHBY, OHIO	DWG. NO. HH-3595-BC
				CH.			
			APP.				