



PART NAME

PIP SERIES - PC 10% FIBERGLASS BOX

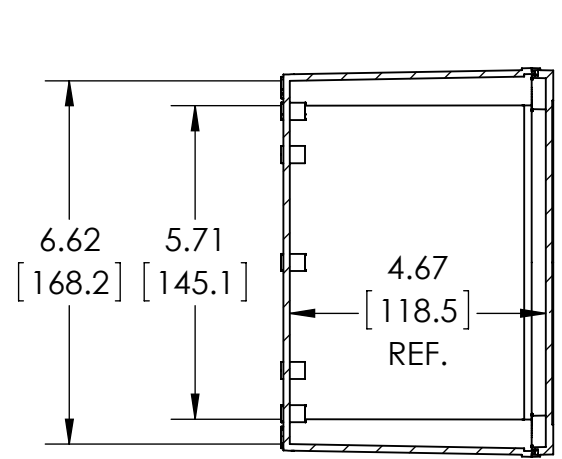
PART No.

PIP-11774

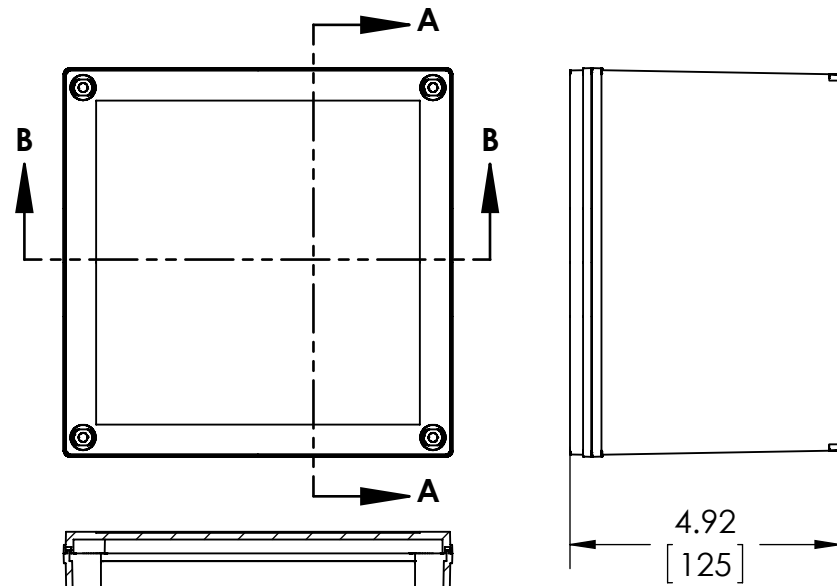
PIP-11774-C

REVISION DATE

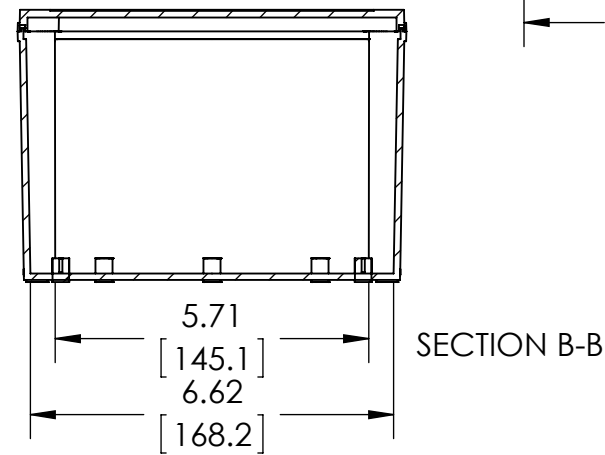
12-3-15



SECTION A-A

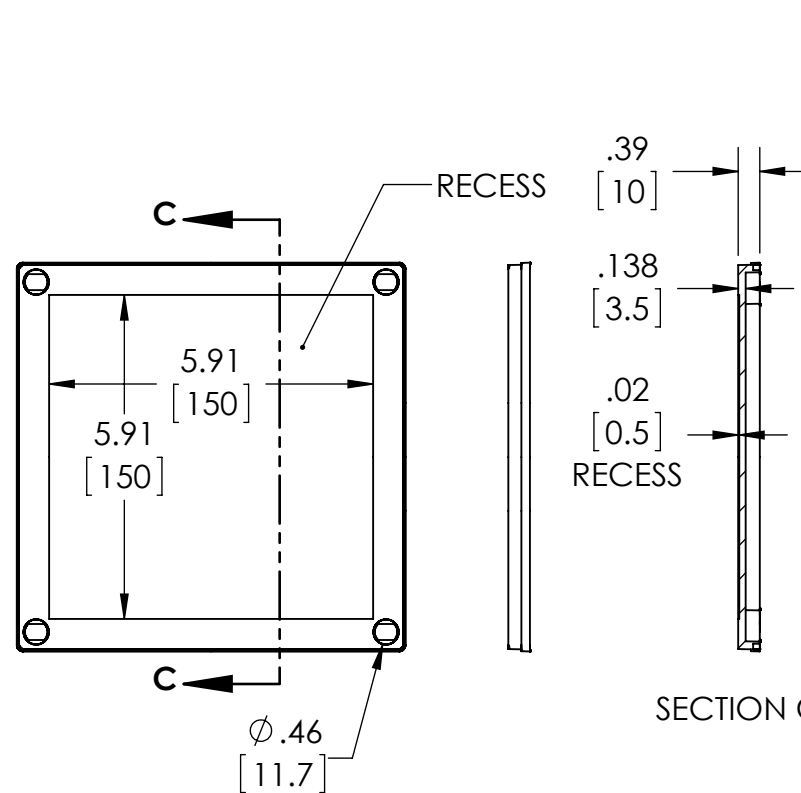
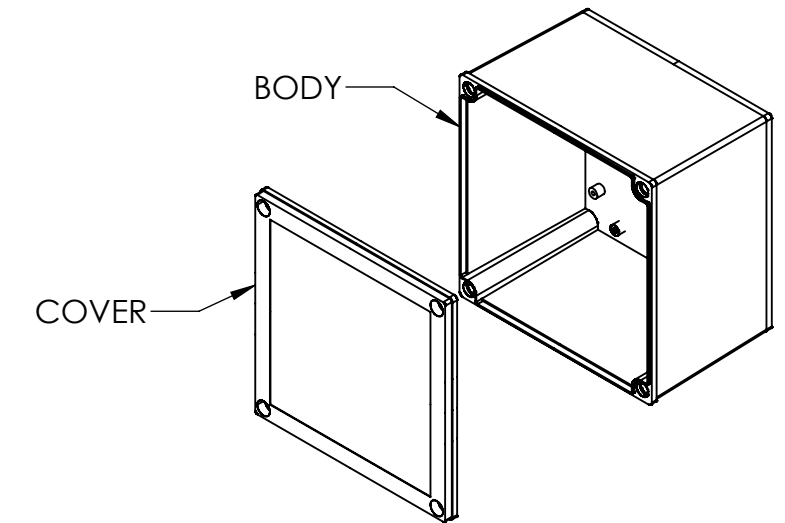
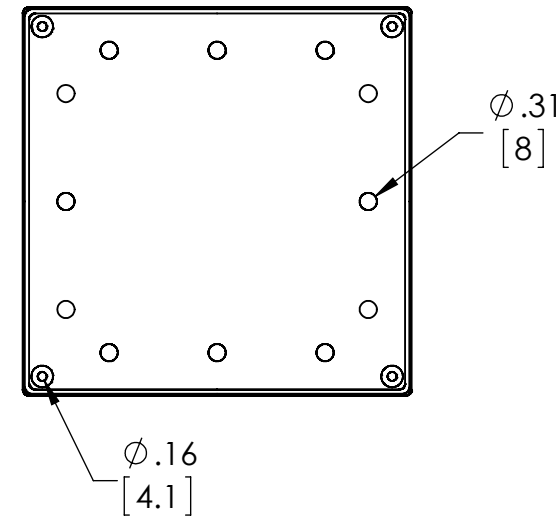


ASSEMBLY

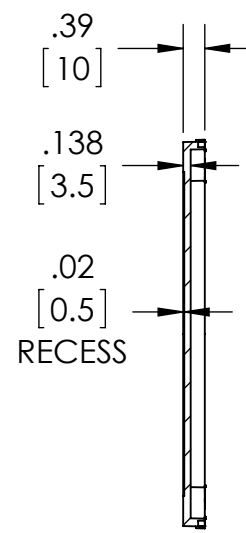


SECTION B-B

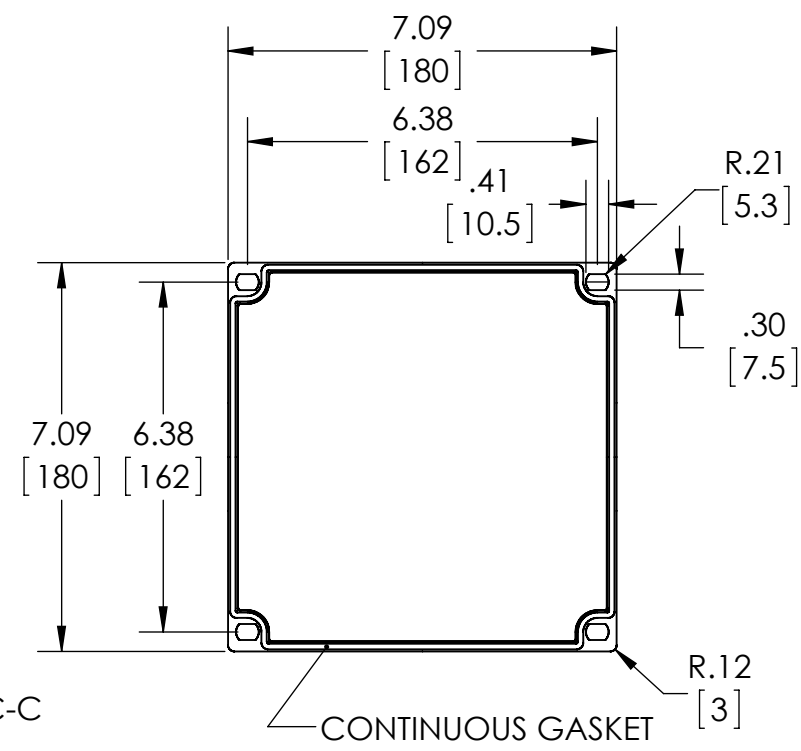
- NOTES:
 1- MATERIAL: BODY - POLYCARBONATE 10% FIBERGLASS REINFORCED
 COVER - POLYCARBONATE
 UL508 /NEMA TYPE 4X WITH IP-67 TUV RATING & UL-94V0 RATING
 2- FINISH: BODY - LIGHT GRAY
 COVER - LIGHT GRAY OR CLEAR (-C)
 3- SUPPLIED WITH FOUR NON-METALLIC CAPTIVE SCREWS FOR COVER MOUNTING
 4- CONTINUOUS GASKET IN COVER
 5- SUPPLIED WITH FOUR M4 x 8mm LG. TRUSS HEAD MACHINE SCREWS
 6- DIMENSIONS ARE INCH [MM]
 7- DRAWING FOR REFERENCE
 8- OPTIONAL ACCESSORIES:
 INTERNAL STEEL PANEL - #PIX-11772
 MOUNTING BRACKET KIT (STAINLESS STEEL) - #NBX-10922
 MOUNTING BRACKET KIT (PLASTIC) - #PIX-4117



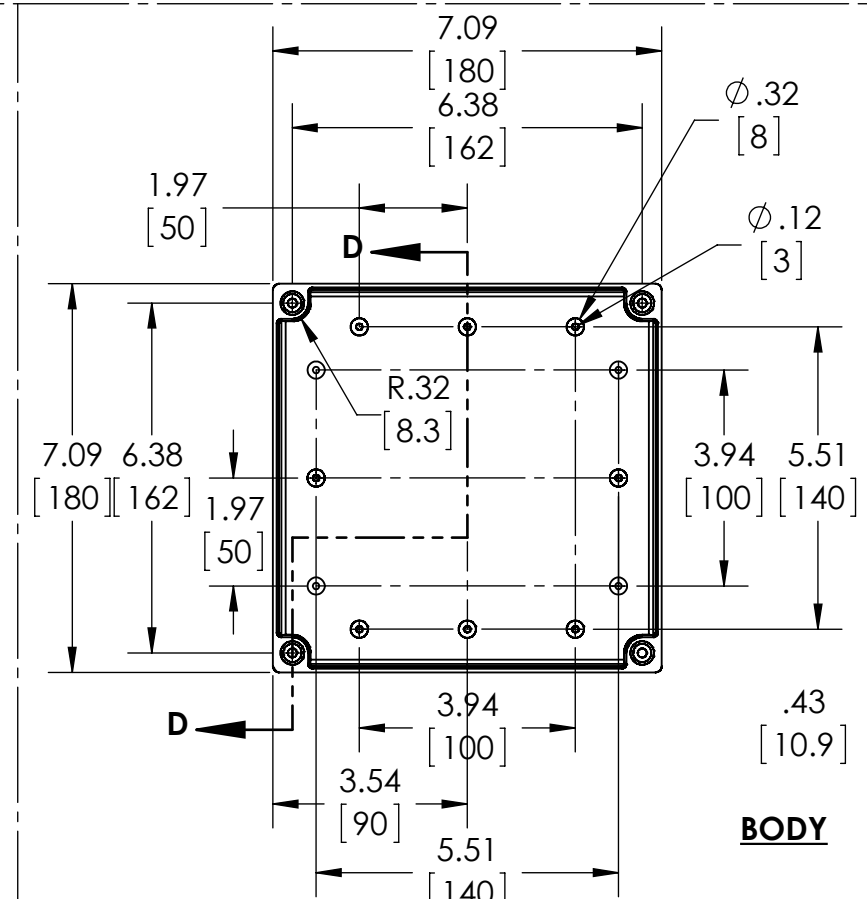
COVER



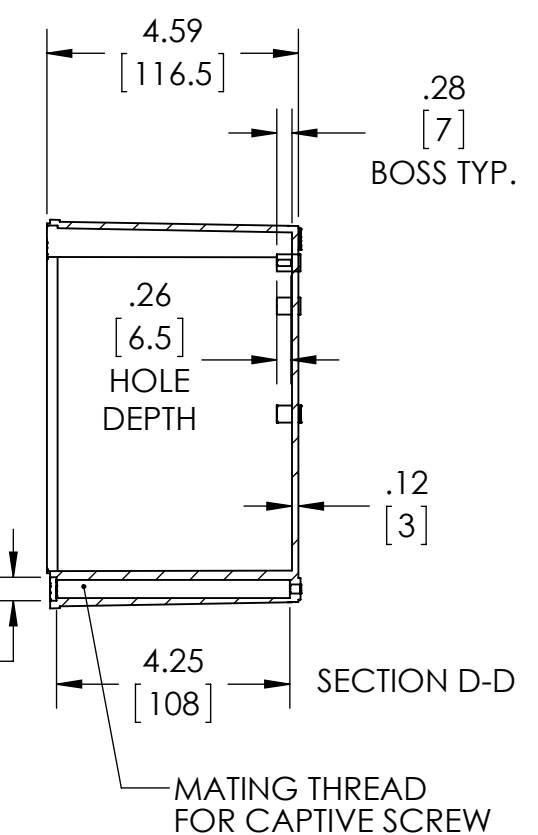
SECTION C-C



CONTINUOUS GASKET



BODY



SECTION D-D

MATING THREAD FOR CAPTIVE SCREW