

PART NAME SLOPING PANEL PRESTIGE CABINET

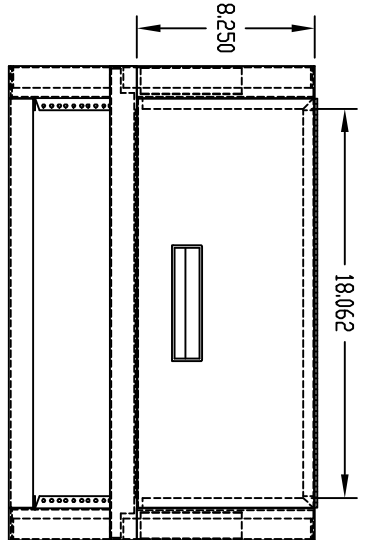
PART No.

C-1555 & C-1557

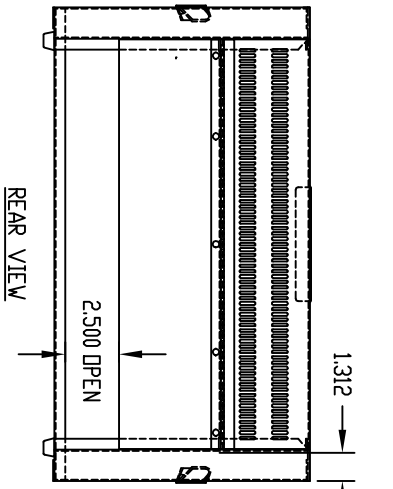
MATERIAL:
 BOTTOM, SIDES, BACK, MOUNTING _____
 RAILS & CROSS BARS _____ 16 GA. STEEL
 TOP _____ 18 GA. STEEL
 HANDLES _____ PLASTIC
 FEET _____ PLASTIC

FINISH:
 BODY ASSEMBLY, TOP & CROSS BAR _____ METALLIC GRAY
 FEET & HANDLES _____ BLACK

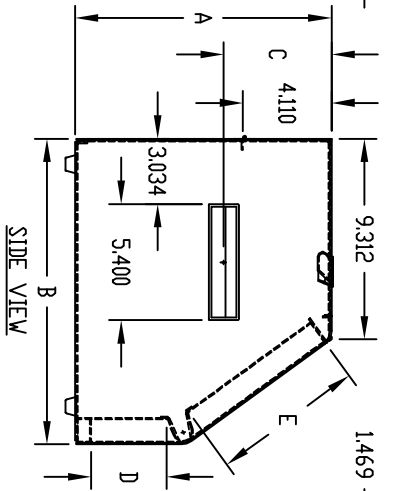
MOUNTING RAILS ARE RECESSED 1156 & TAPPED
 #10-32 ON E.I.A. UNIVERSAL SPACING.



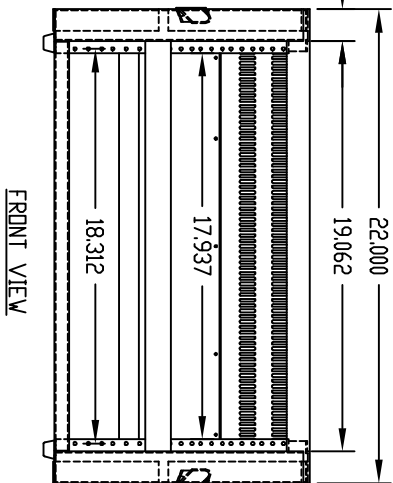
TOP VIEW



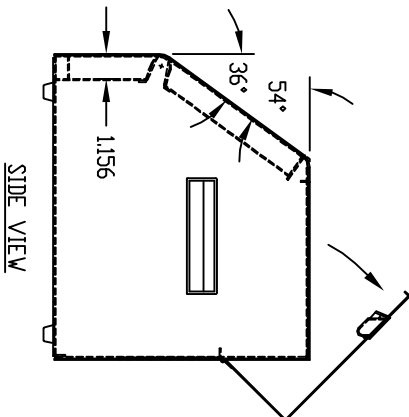
REAR VIEW



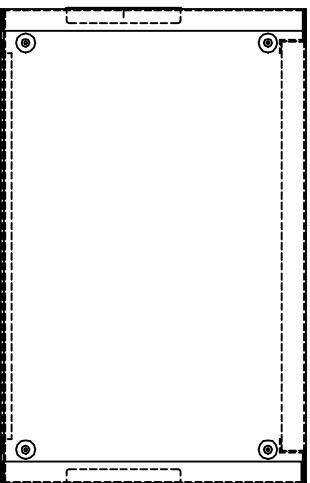
SIDE VIEW



FRONT VIEW



SIDE VIEW



BOTTOM VIEW

PART No.	A	B	C	PANEL SPACE		
				D	E	
C-1555	11,906	14,187	5,000	3,500	7,000	
C-1557	14,781	16,250	5,000	3,500	10,500	