

THIS IS ISSUED IN STRICT CONFIDENCE THAT IT IS NOT USED AS A BASIS FOR MANUFACTURE OR SALE AND THAT IT IS NOT COPIED, REPRINTED OR DISCLOSED TO A THIRD PARTY EITHER WHOLLY OR IN PART WITHOUT THE PRIOR WRITTEN CONSENT OF CAL TEST ELECTRONICS, INC.

- 4mm SAFETY JACK w/.25 FASTON® TERMINAL.
- SPECIFICATIONS:
INSULATOR: POLYAMIDE (NYLON).
CONTACT: BRASS, NICKEL PLATED
LOCKING NUT: BRASS, NICKEL PLATED
- RATING:
VOLTAGE: 1,000 V CAT III/600 V CAT IV P2 (IEC61010-031)
CURRENT: 36 A MAX.
RESISTANCE: <5 mΩ.
TEMPERATURE: -20° C TO +80° C.
- MOUNTING HOLE: REF. DIAGRAM.
- INSULATOR THREAD, M12 X 0.75. MAX. TORQUE 1.7 ft-lb (2.3 Nm) AT 20° C.
- MAXIMUM PANEL THICKNESS: .40 (10).
- RECOMMENDED ASSEMBLY TOOL: CT2246A.

PART NUMBER

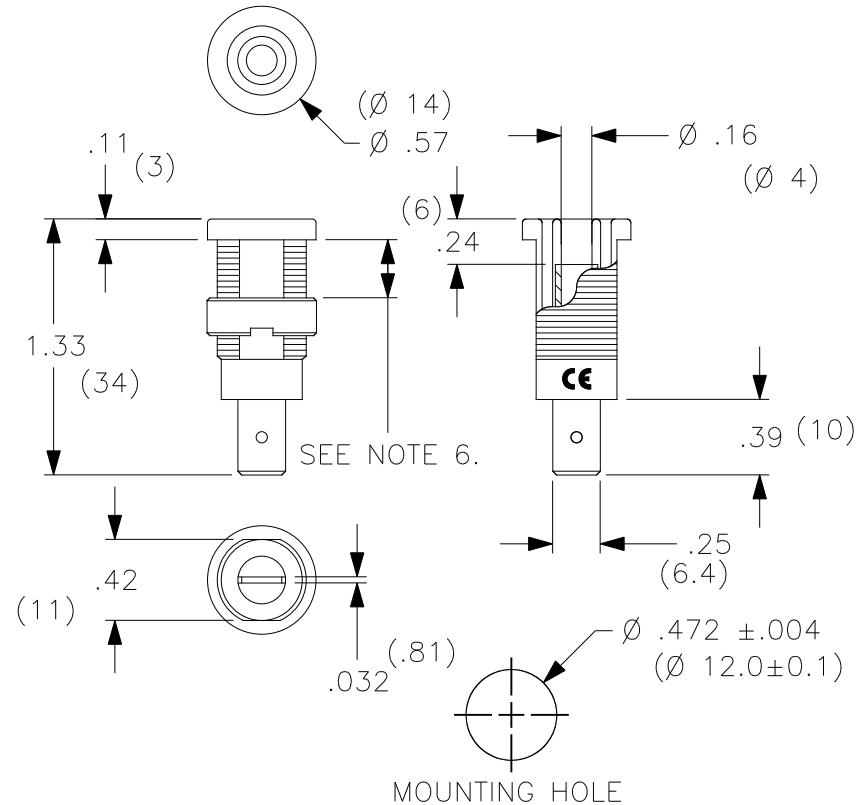
CT2238-#

- COLOR:
- 0 - BLACK
 - 1 - BROWN
 - 2 - RED
 - 3 - ORANGE (SPECIAL)
 - 4 - YELLOW
 - 5 - GREEN
 - 6 - BLUE
 - 7 - PURPLE
 - 8 - GRAY
 - 9 - WHITE

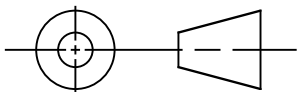
CONFORMITY TO RoHS 2002/95/EC

REVISIONS

REV.	DESCRIPTIONS	DATE	APPROVED
-	CLASS A RELEASED	7/12/99	
A	TITLE, ORANGE DISCONTINUED	9/20/03	
B	NOTE 2, MAT'L WAS POLYACETAL	5/19/06	
C	COLOR ORANGE RE-ADDED AS SPECIAL; REVISED NOTE 5 WITH NUT TORQUE SPECIFICATION; NOTED RoHS COMPLIANCE.	6/2/09	



THIRD ANGLE PROJECTION



UNLESS OTHERWISE SPECIFIED DIMENSIONS ARE IN INCHES TOLERANCES ARE:
FRACTIONS DECIMALS
± 1/32 .XX ± .02
 .XXX ± .005
DO NOT SCALE DRAWING

CONTRACT NO.

APPROVALS

DATE

DRAWN WDH

7/12/99

CHECKED

ENGR.

DESIGN ACTIVITY

Cal Test Electronics

22820 Savi Ranch Parkway
Yorba Linda, CA 92887-4610

TITLE

**4mm SAFETY JACK, PANEL
w/.25 FASTON® TERMINAL**

**SIZE
A**

**CAGE CODE
43F45**

DWG. NO.

P223800

**REV.
C**

SCALE 1:1

SHEET 1 OF 1

NEXT ASSY

USED ON

APPLICATION