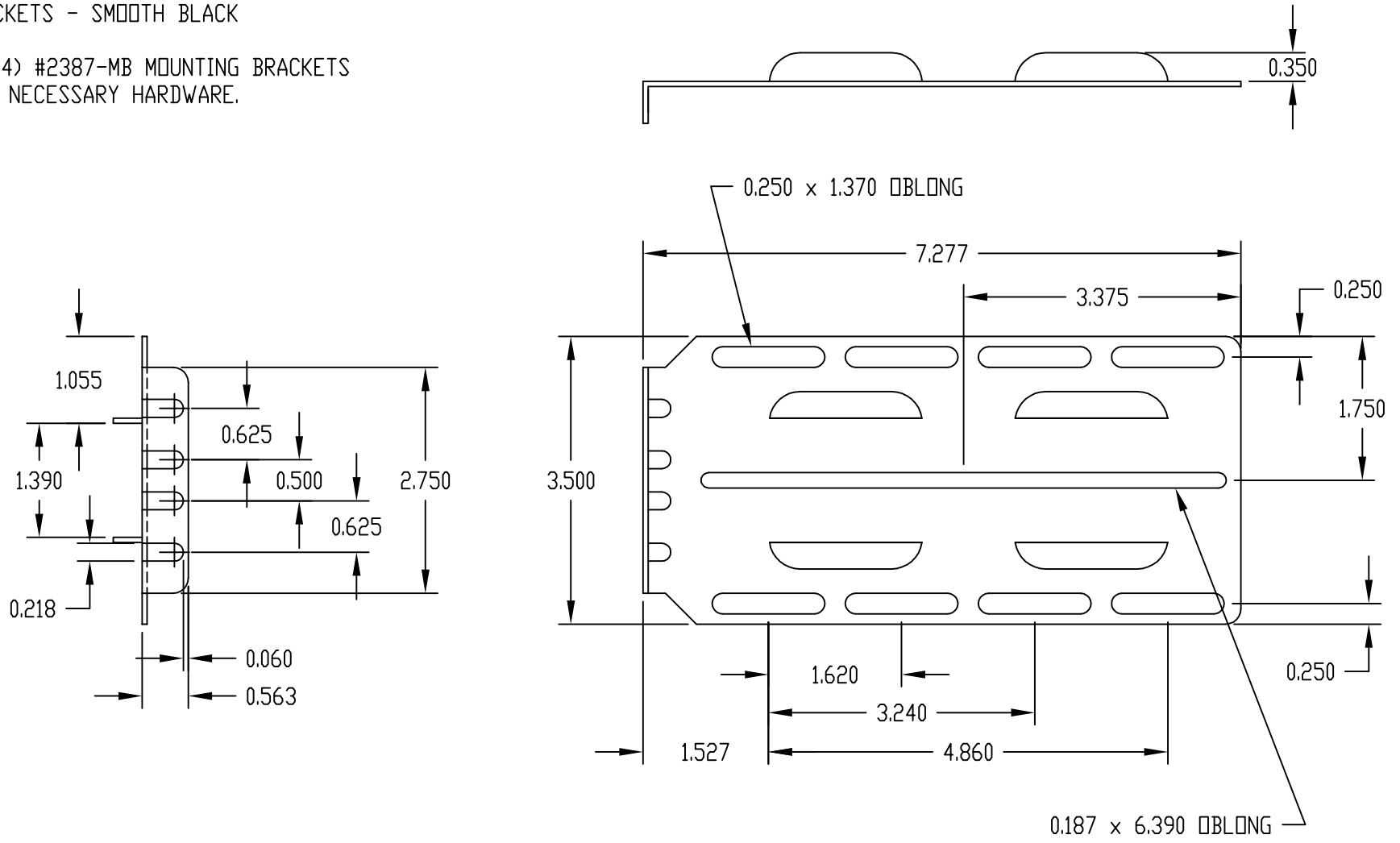


|           |                            |          |          |           |         |
|-----------|----------------------------|----------|----------|-----------|---------|
| PART NAME | SLIDE MOUNTING BRACKET KIT | PART No. | BAS-5106 | REV. DATE | 3-27-08 |
|-----------|----------------------------|----------|----------|-----------|---------|

MATERIAL:  
BRACKETS - 16 GA. STEEL

FINISH:  
BRACKETS - SMOOTH BLACK

QTY. (4) #2387-MB MOUNTING BRACKETS  
AND NECESSARY HARDWARE.



|           |                            |          |          |
|-----------|----------------------------|----------|----------|
| PART NAME | SLIDE MOUNTING BRACKET KIT | PART No. | BAS-5108 |
|-----------|----------------------------|----------|----------|

MATERIAL:  
BRACKETS - 16 GA. STEEL

FINISH:  
BRACKETS - ZINC PLATED

QTY. (4) #5103 MOUNTING BRACKETS  
QTY. (4) #5107-A "L" BRACKETS  
AND NECESSARY HARDWARE.

