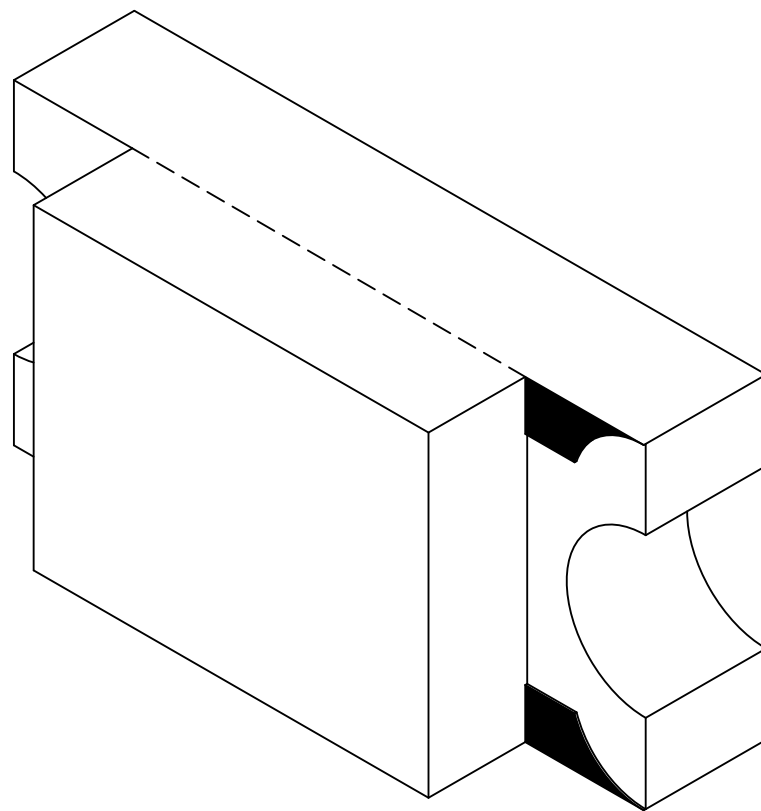
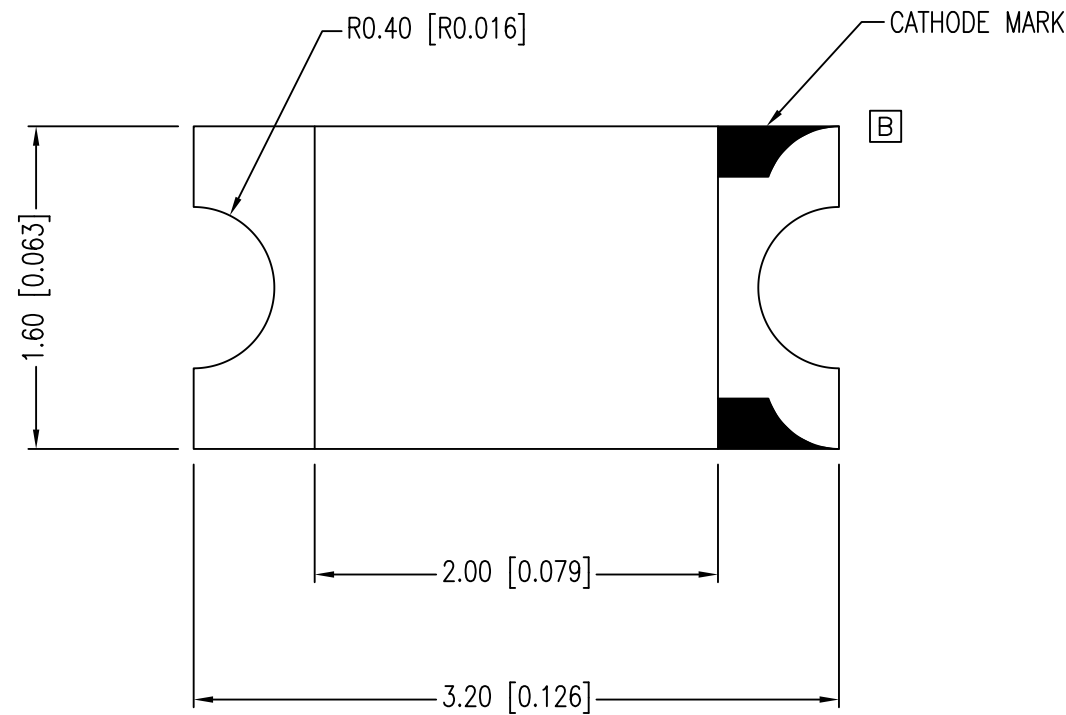
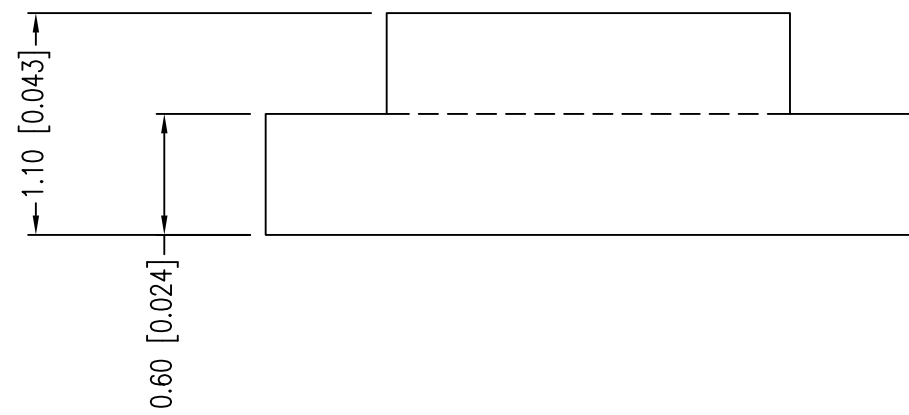


PART NUMBER	SML-LX1206SYW-TR	REV.	F
DATE	E.C.N. NUMBER AND REVISION COMMENTS		REV.
1.20.05	E.C.N. #11148.		A
1.20.05	E.C.N. #11466.		B
03.09.09	E.C.N. #11508.		C
08.02.10	E.C.N. #11644.		D
04.20.11	E.C.N. #10BRDR. & REDRAWN.		E
11.18.19	ECN-Lumex201900133		F



ELECTRO-OPTICAL CHARACTERISTICS TA =25°C If=20mA					
PARAMETER	MIN	TYP.	MAX	UNITS	TEST COND
PEAK WAVELENGTH		590		nm	
FORWARD VOLTAGE		2.0	2.6	Vf	
REVERSE VOLTAGE	5.0			Vr	Ir=100µA
AXIAL INTENSITY		40		mcd	If=20mA
VIEWING ANGLE		160		2x theta	
EMITTED COLOR:	YELLOW				
EPOXY LENS FINISH:	MILKY WHITE				

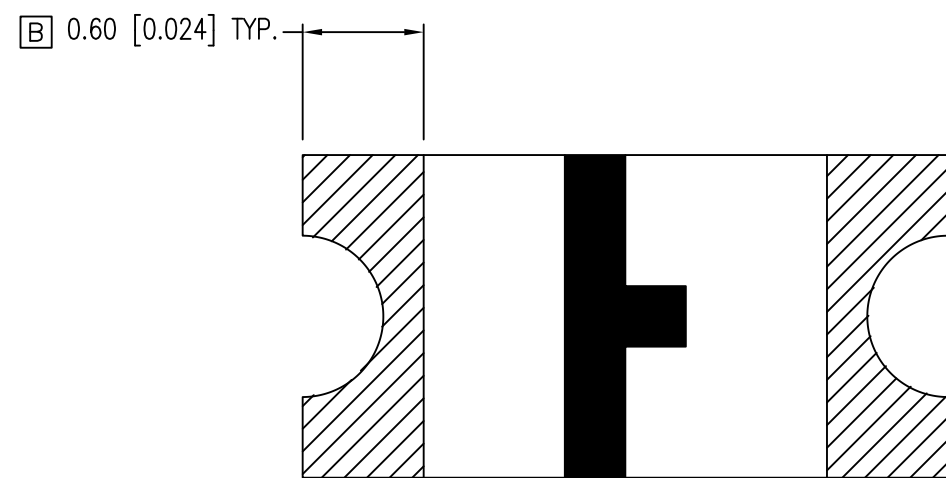
ANODE CATHODE



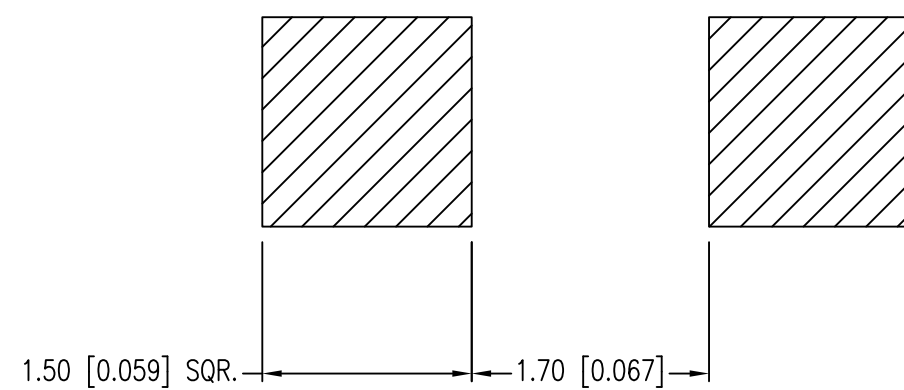
LIMITS OF SAFE OPERATION AT 25°C		
PARAMETER	MAX	UNITS
PEAK FORWARD CURRENT*	160	mA
STEADY CURRENT	30	mA
POWER DISSIPATION	100	mW
DERATE FROM 25°C	-1.2	mW/°C
OPERATING TEMP.	-40 TO +85	°C
STORAGE TEMP.	-40 TO +85	°C

\* t<10µS

**F C** CAUTION: MOISTURE SENSITIVE DEVICE  
PER JEDEC LEVEL 2a STANDARDS



**B** RECOMMENDED SOLDER PAD LAYOUT



\*UNLESS OTHERWISE SPECIFIED TOLERANCES PER DECIMAL PRECISION ARE: X=±1 (±0.039), X.X=±0.5 (±0.020), X.XX=±0.25 (±0.010), X.XXX=±0.127 (±0.005). LEAD SIZE=±0.05 (±0.002), LEAD LENGTH=±0.75 (±0.030). MIN= +DECIMAL PRECISION -0.00 MAX.= +0.00 -DECIMAL PRECISION



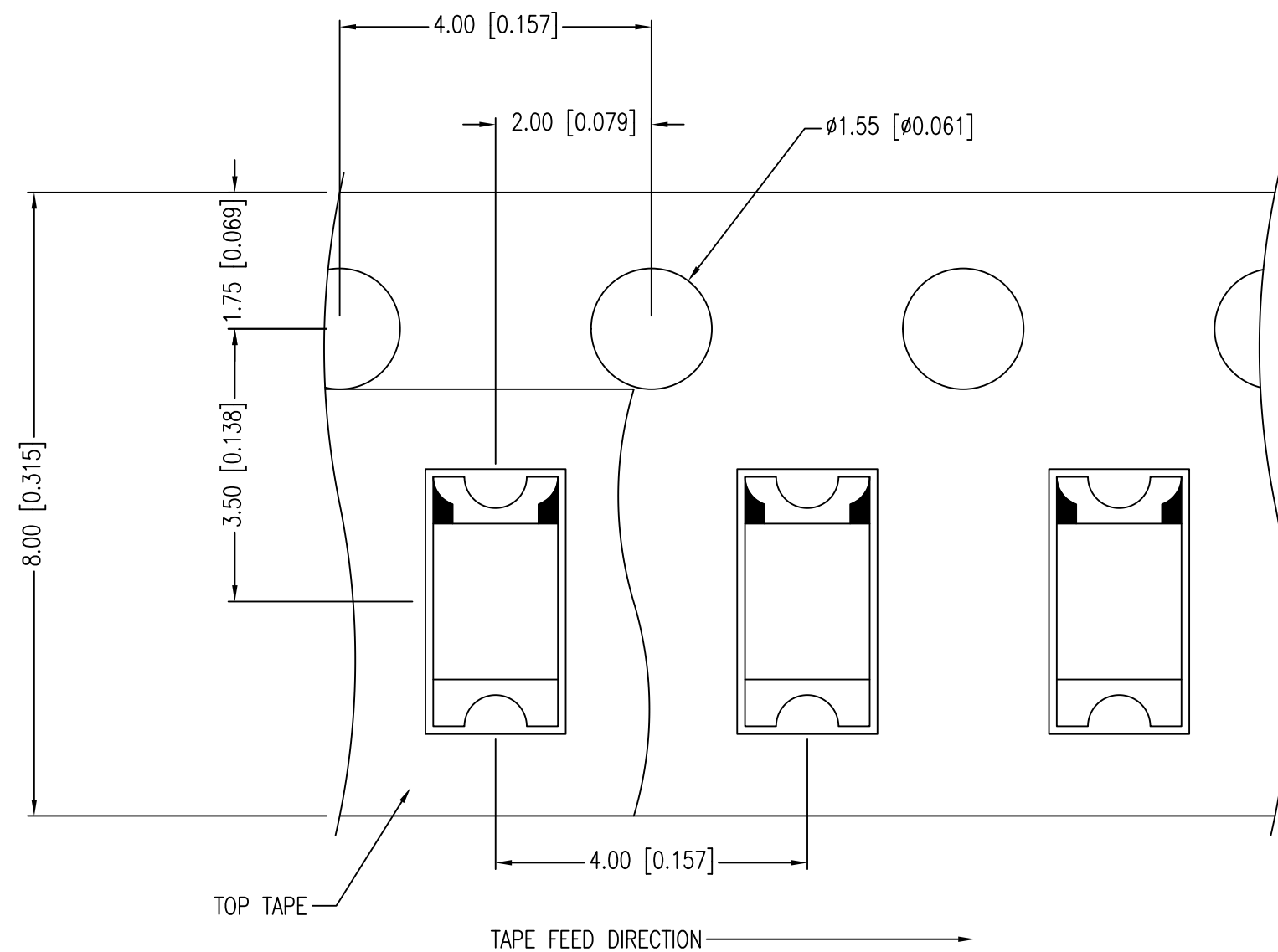
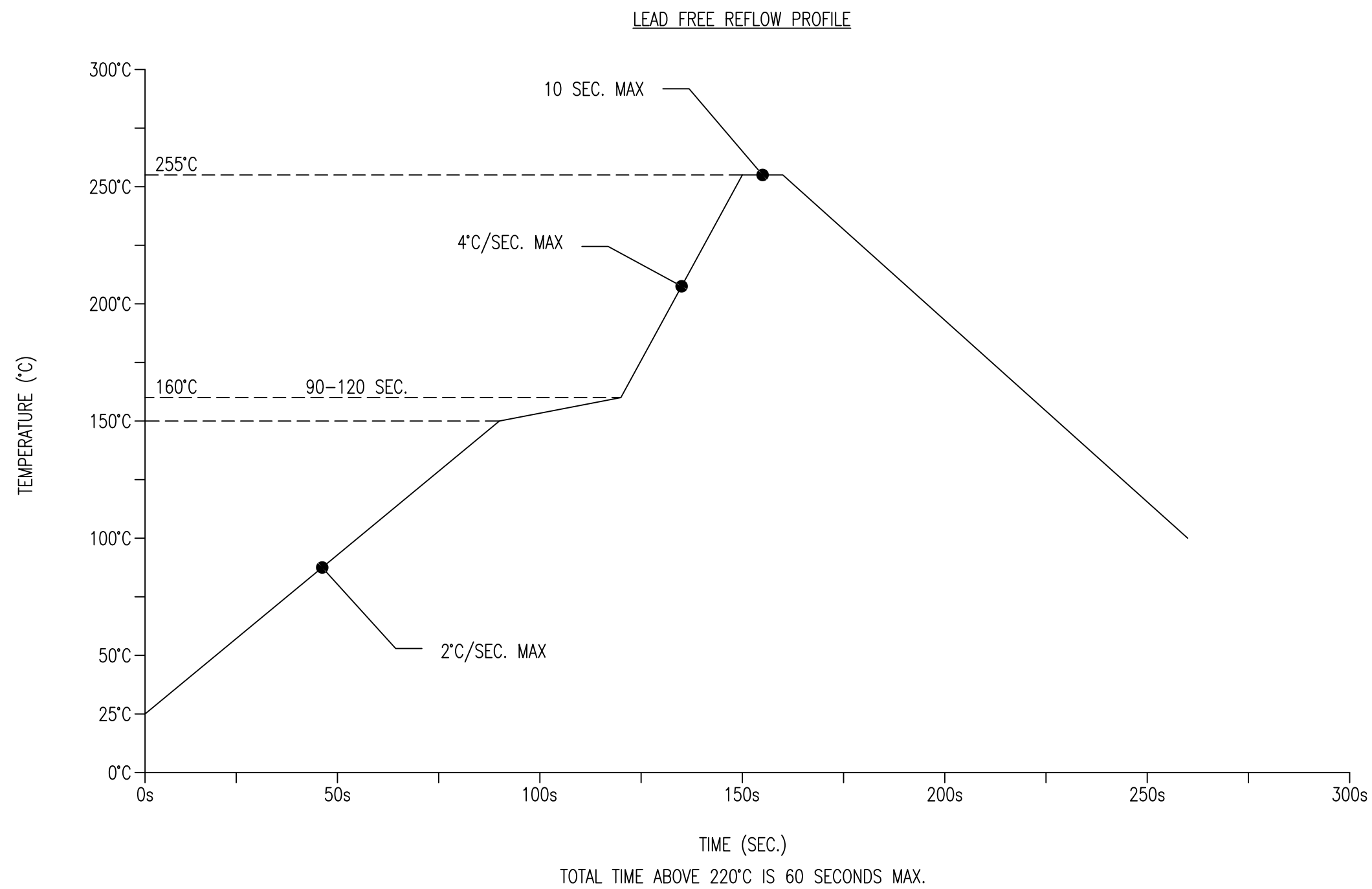
425 N. GARY AVE.  
CAROL STREAM, IL 60188  
PHONE: 800-278-5666  
FAX: 630-315-2150  
WEB: WWW.LUMEX.COM

3.2mm x 1.6mm PCB SURFACE MOUNT LED, 590nm YELLOW LED, MILKY WHITE DIFFUSED, TAPE & REEL.

\*\*THE SPECIFICATIONS MAY CHANGE AT ANY TIME WITHOUT NOTICE.\*\*

CONFIDENTIAL INFORMATION  
THE INFORMATION CONTAINED IN THIS DOCUMENT IS THE PROPERTY OF LUMEX INC. EXCEPT AS SPECIFICALLY AUTHORIZED IN WRITING BY LUMEX INC., THE HOLDER OF THIS DOCUMENT SHALL KEEP ALL INFORMATION CONTAINED HEREIN CONFIDENTIAL AND SHALL PROTECT SAME IN WHOLE OR IN PART FROM DISCLOSURE AND DISSEMINATION TO ALL THIRD PARTIES.

DATE:	11.18.19	DRAWN BY:	C.S.
PAGE:	1 OF 2	CHKD BY:	E.C.
SCALE:	NTS	APRVD BY:	G.Y.
UNIT:	mm [INCH]		(Rb)



NOTES:  
1. THE CATHODE MARK IS ORIENTED TOWARDS THE TAPE SPROCKET HOLE.

\*UNLESS OTHERWISE SPECIFIED TOLERANCES PER DECIMAL PRECISION ARE: X=±1 (±0.039), X.X=±0.5 (±0.020), X.XX=±0.25 (±0.010), X.XXX=±0.127 (±0.005). LEAD SIZE=±0.05 (±0.002), LEAD LENGTH=±0.75 (±0.030). MIN= <sup>+DECIMAL PRECISION</sup> -0.00 MAX.= <sup>+0.00</sup> -DECIMAL PRECISION

UNCONTROLLED DOCUMENT



425 N. GARY AVE.  
CAROL STREAM, IL 60188  
PHONE: 800-278-5666  
FAX: 630-315-2150  
WEB: WWW.LUMEX.COM

3.2mm x 1.6mm PCB SURFACE MOUNT LED, 590nm YELLOW LED, MILKY WHITE DIFFUSED, TAPE & REEL.

\*\*THE SPECIFICATIONS MAY CHANGE AT ANY TIME WITHOUT NOTICE.\*\*

CONFIDENTIAL INFORMATION  
THE INFORMATION CONTAINED IN THIS DOCUMENT IS THE PROPERTY OF LUMEX INC. EXCEPT AS SPECIFICALLY AUTHORIZED IN WRITING BY LUMEX INC., THE HOLDER OF THIS DOCUMENT SHALL KEEP ALL INFORMATION CONTAINED HEREIN CONFIDENTIAL AND SHALL PROTECT SAME IN WHOLE OR IN PART FROM DISCLOSURE AND DISSEMINATION TO ALL THIRD PARTIES.

DATE:	11.18.19	DRAWN BY:	C.S.
PAGE:	2 OF 2	CHKD BY:	E.C.
SCALE:	NTS	APRVD BY:	G.Y.
UNIT:	mm [INCH]		(R6)