

PART NAME

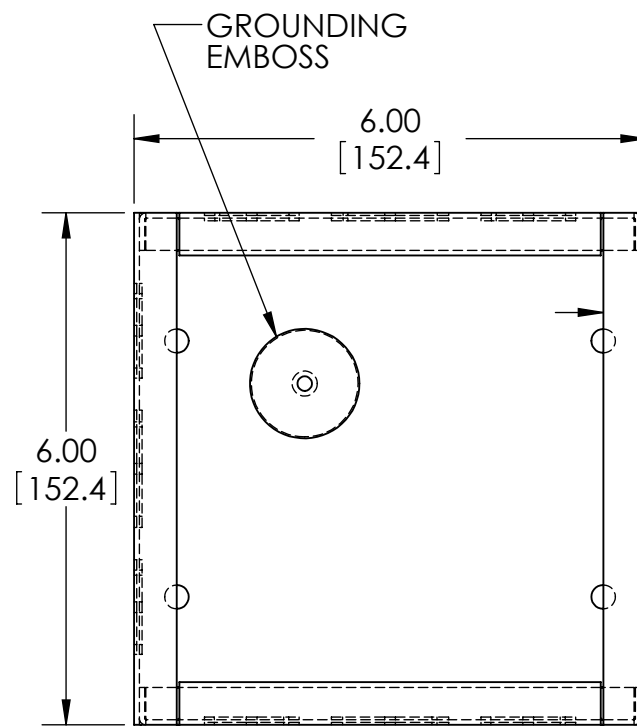
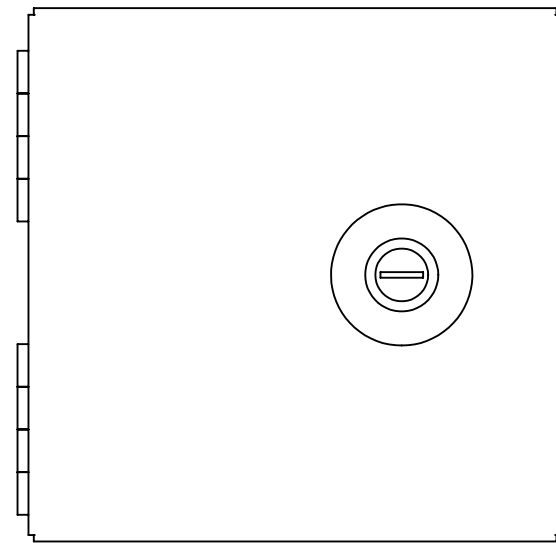
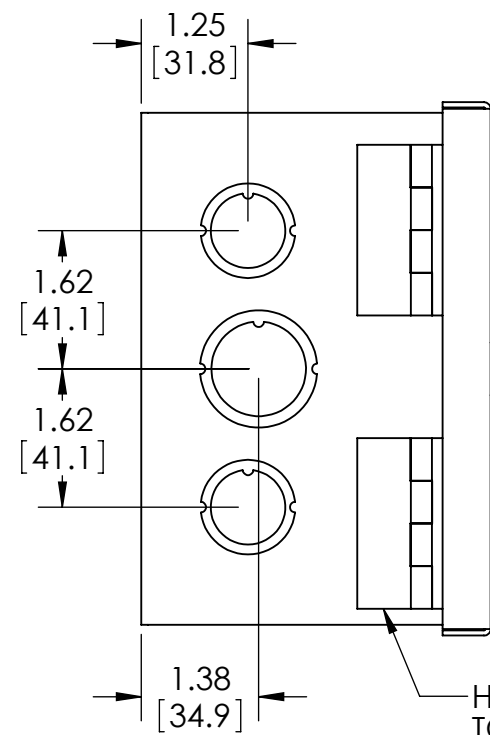
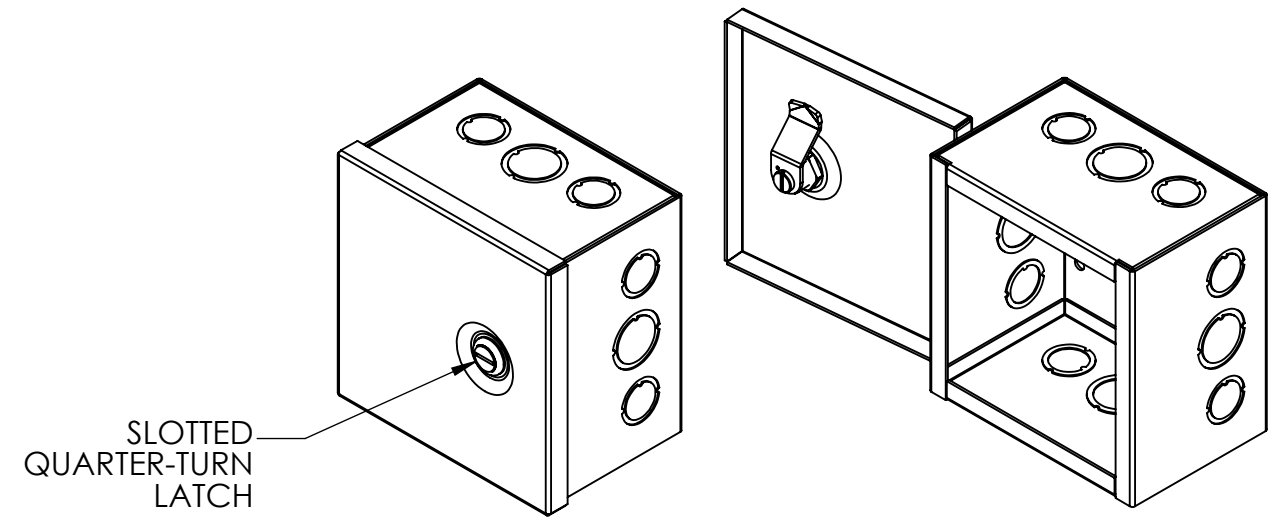
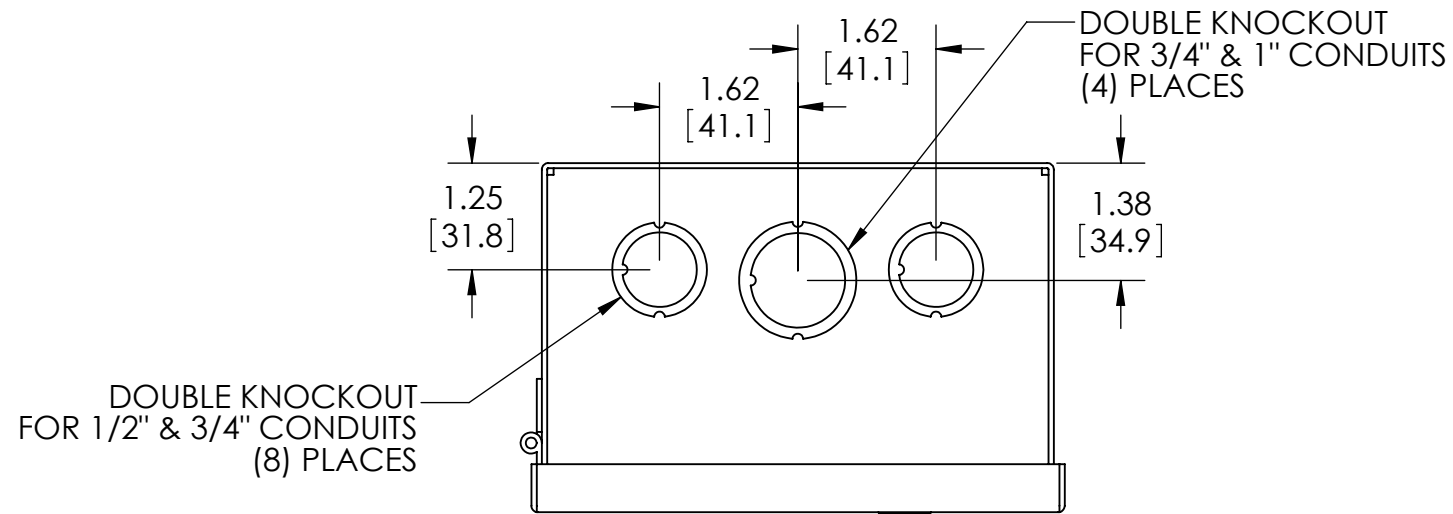
JUNCTION BOX w/ HINGED COVER & KNOCKOUTS

PART No.

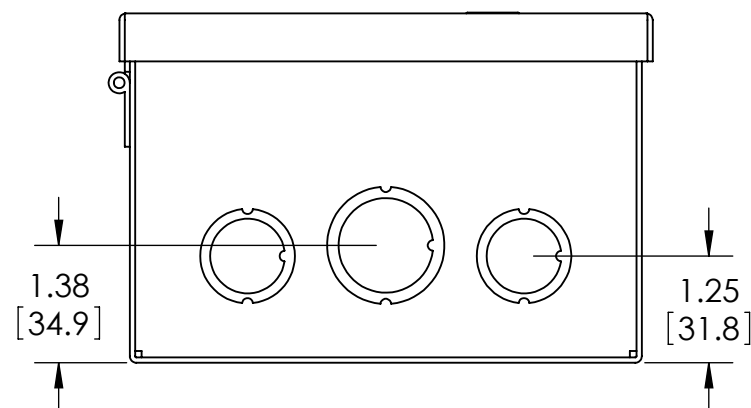
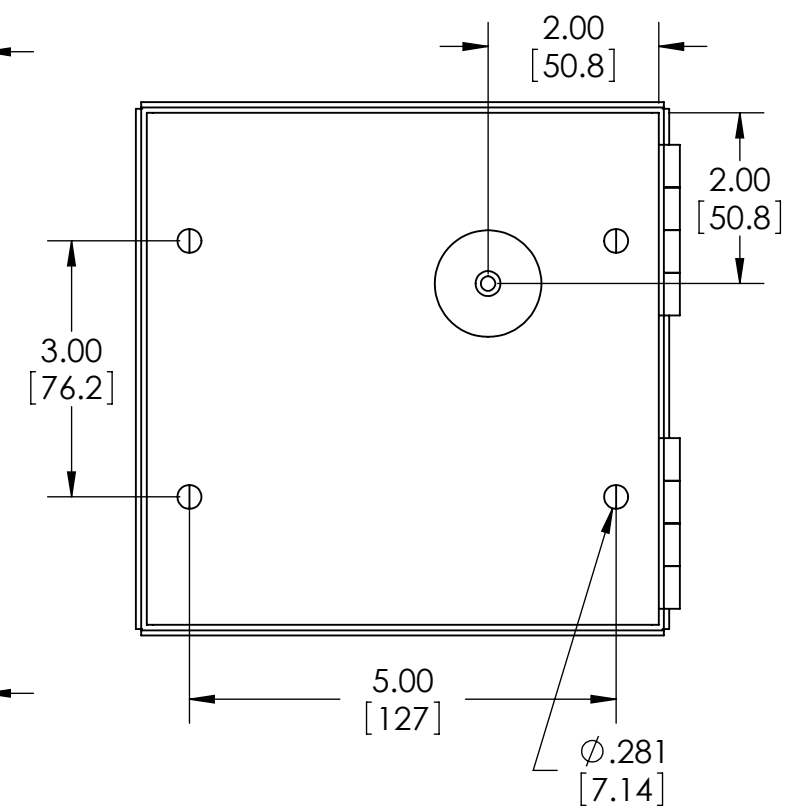
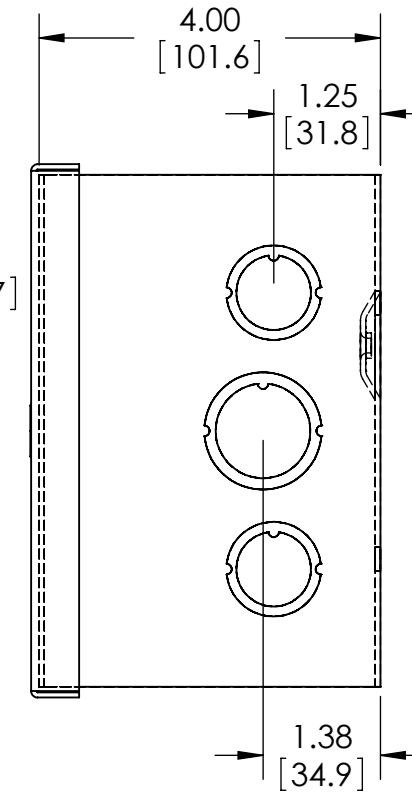
JBH-4955-KO

REVISION DATE

7-18-11



COVER NOT SHOWN THIS VIEW



MATERIAL - 16 GA. [1.5mm] STEEL

FINISH - SMOOTH GRAY POWDERCOAT

INCLUDES ONE (1) #10-32 x .31" [8mm] LG. MACHINE, PAN HEAD, SLOTTED/SQUARE COMBINATION STYLE DRIVE, STEEL, ZINC PLATED SCREW FOR GROUND POINT.