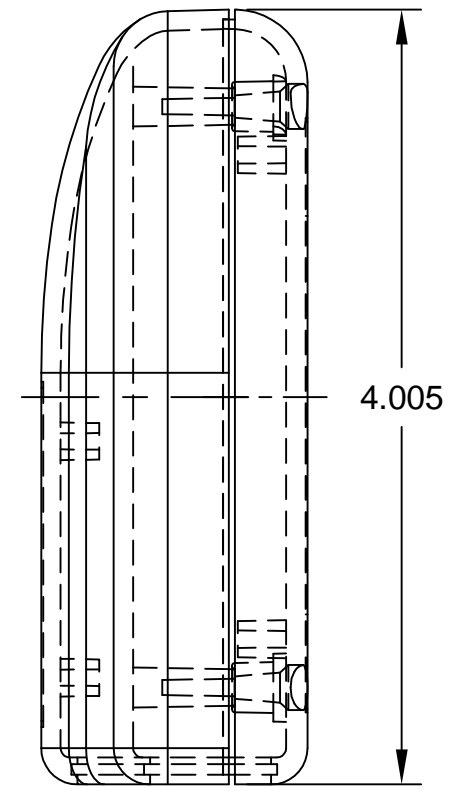
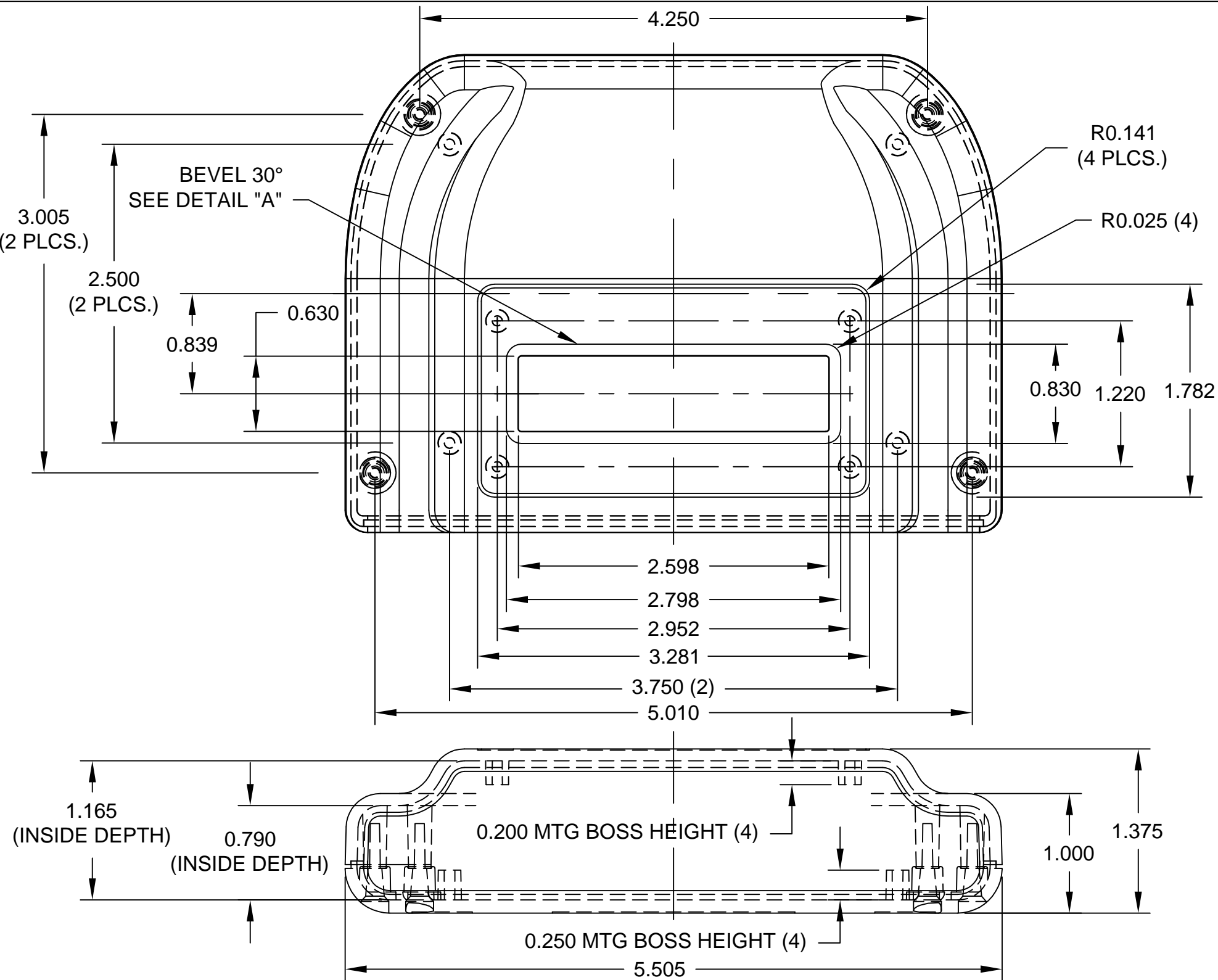
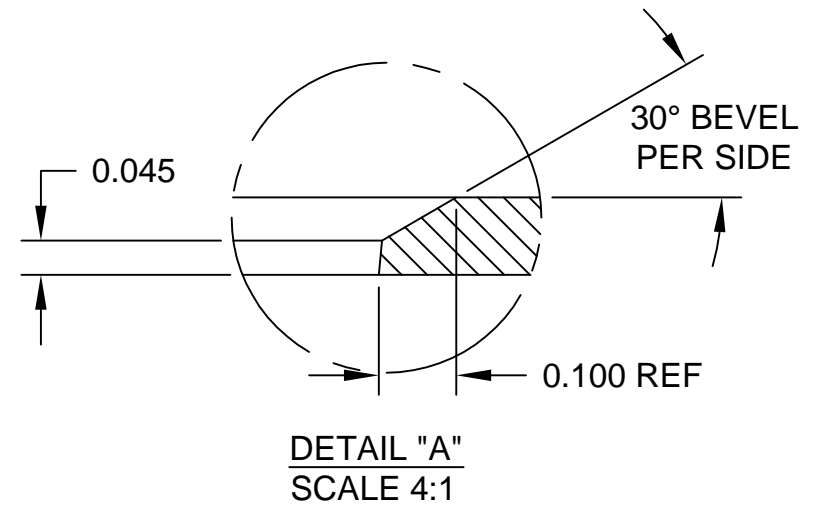



DWG. NO.	PT-11754-DW
ISSUE	REVISIONS



- NOTES:
- 1) PC BOARD BOSSES WILL ACCEPT A #4 X 1/4" THREAD FORMING SCREW
 - 2) MATERIAL: ABS - UL94-5VA
 - 3) FINISH: BLACK TEXTURE
 - 4) DIMENSIONS ARE TO THEORETICAL SHARP CORNERS.
 - 5) INCLUDES (4) #4-24 x 5/8 HI-LOW THREAD FORMING, CSK, OVAL HEAD, PHILLIPS DRIVE SCREWS FOR ATTACHING BODY TO COVER (MAX TORQUE 4.5 IN-LBS)



ITEM	REQ'D.	PART NO.	DESCRIPTION
TOLERANCES: ±.005 BETWEEN HOLE CENTERS ±.015 FROM SHEARED EDGE ±.032 FROM A BENT SURFACE ±.063 BETWEEN ASSEMBLED SURFACES UNLESS OTHERWISE SPECIFIED			NAME: PLASTIBOX STYLE I WITH DISPLAY WINDOW
QTY.	USED ON	MAT: AS NOTED FINISH: SEE SPEC. DR. DP: 5-23-05 CH. APP.	SCALE:  BUD INDUSTRIES, INC. WILLOUGHBY, OHIO
			DWG. NO.: PT-11754-DW