

PART NAME

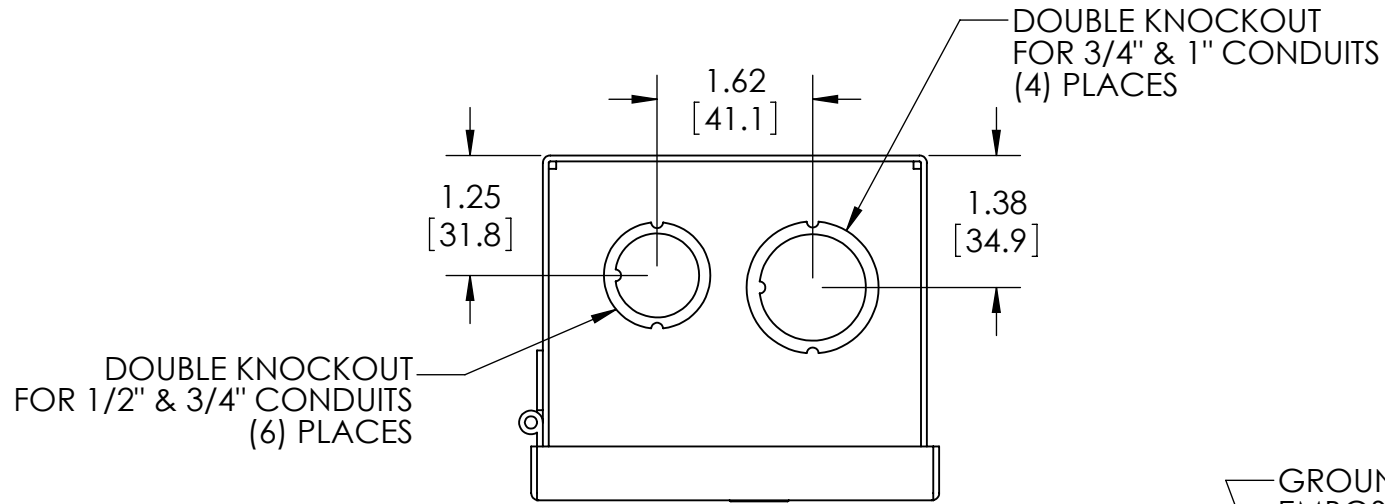
JUNCTION BOX w/ HINGED COVER & KNOCKOUTS

PART No.

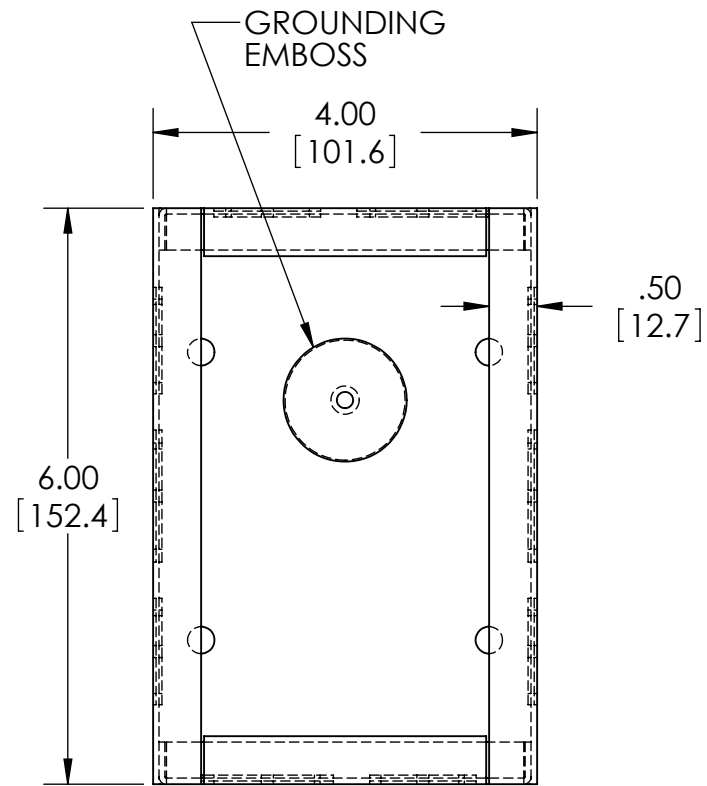
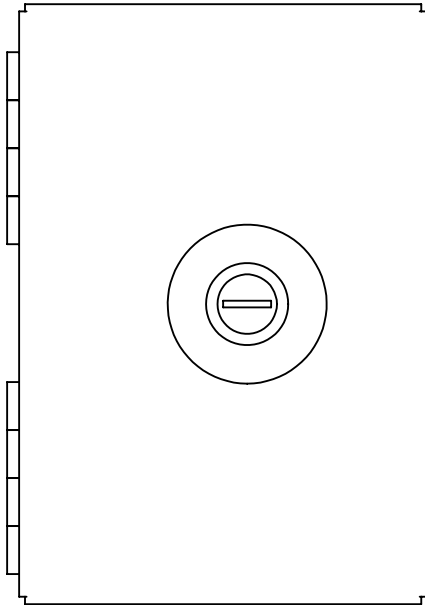
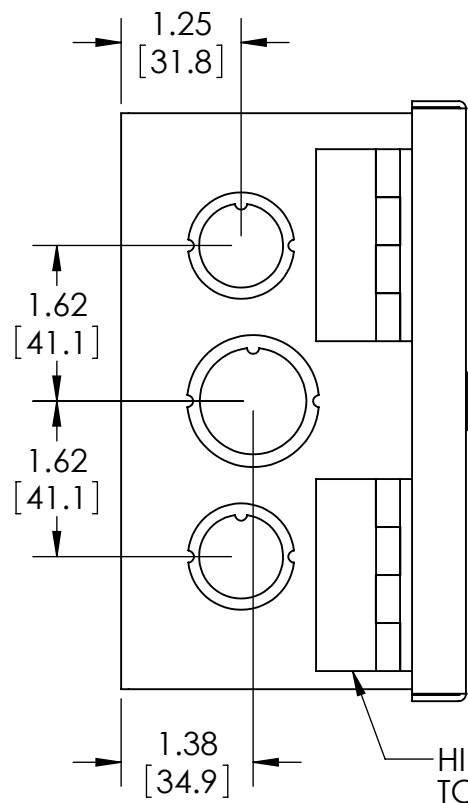
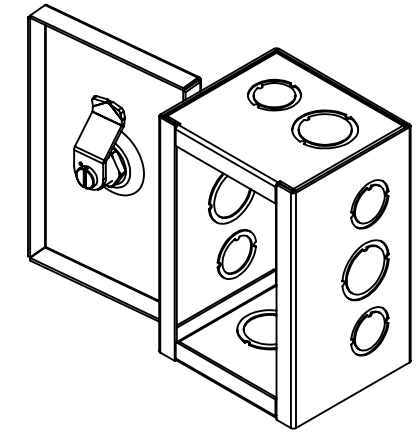
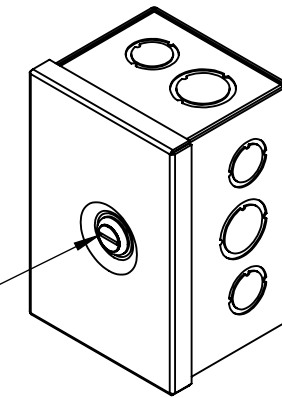
JBH-4944-KO

REVISION DATE

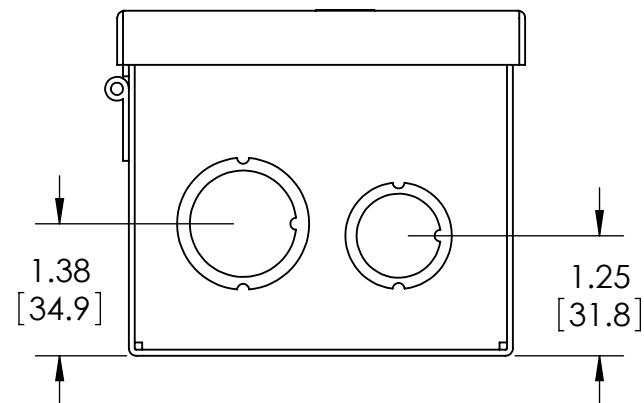
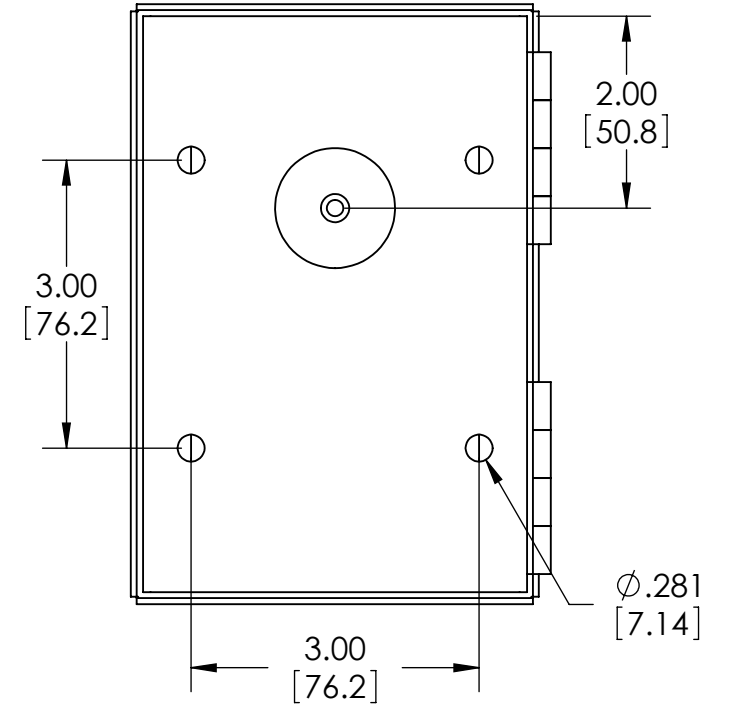
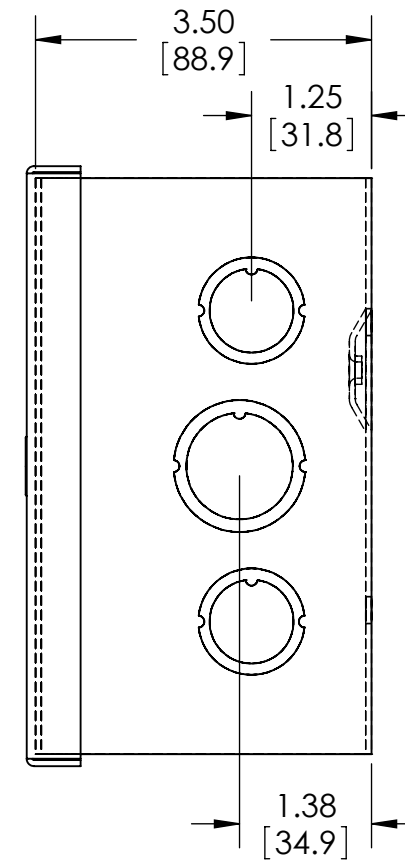
7-18-11



SLOTTED QUARTER-TURN LATCH



**COVER NOT SHOWN THIS VIEW**



MATERIAL - 16 GA. [1.5mm] STEEL

FINISH - SMOOTH GRAY POWDERCOAT

INCLUDES ONE (1) #10-32 x .31" [8mm] LG. MACHINE, PAN HEAD, SLOTTED/SQUARE COMBINATION STYLE DRIVE, STEEL, ZINC PLATED SCREW FOR GROUND POINT.