

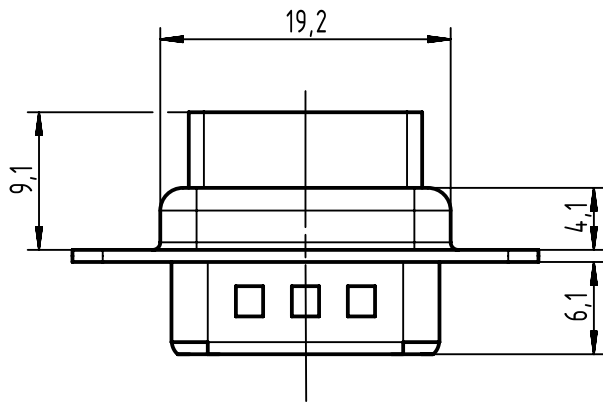
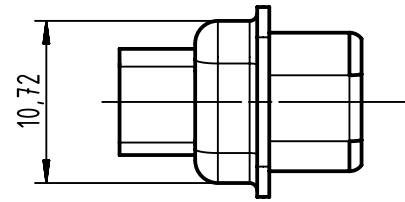
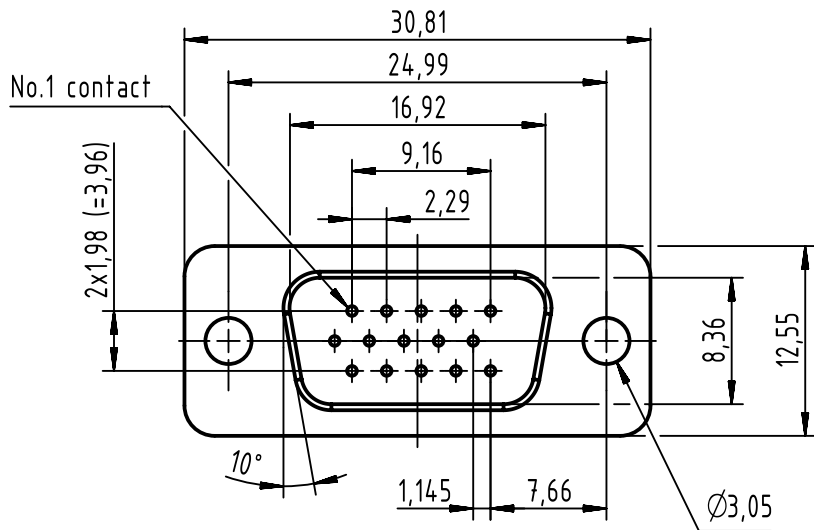
1 2 3 4 5 6

A

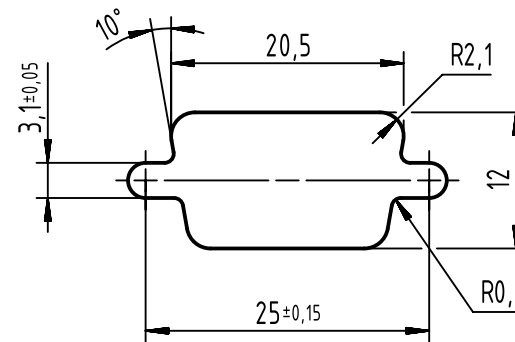
B

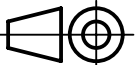

C

D



Panel cut out



	All Dimensions in mm Original Size DIN A4		Scale 2:1	Free size tol.		Ref.	
						Sub.	
	All rights reserved Department EC PD - CN		Created by ZHUANGJ	Inspected by LUOK	Standardisation SCHREIER	Date 2016-12-14	State Final Release
	HARTING Electronics GmbH D-32339 Espelkamp		Title D-Sub HD 15-pole male for crimp contacts			Doc-Key / ECM-Nr. 100513473/UGD/001/B 5000001124.10	
			Type TB	Number 09561005601		Rev. B	Page 1/1