



PART NAME

INTERNAL PLATE

PART No.

MPX-510 & MPX-510-A

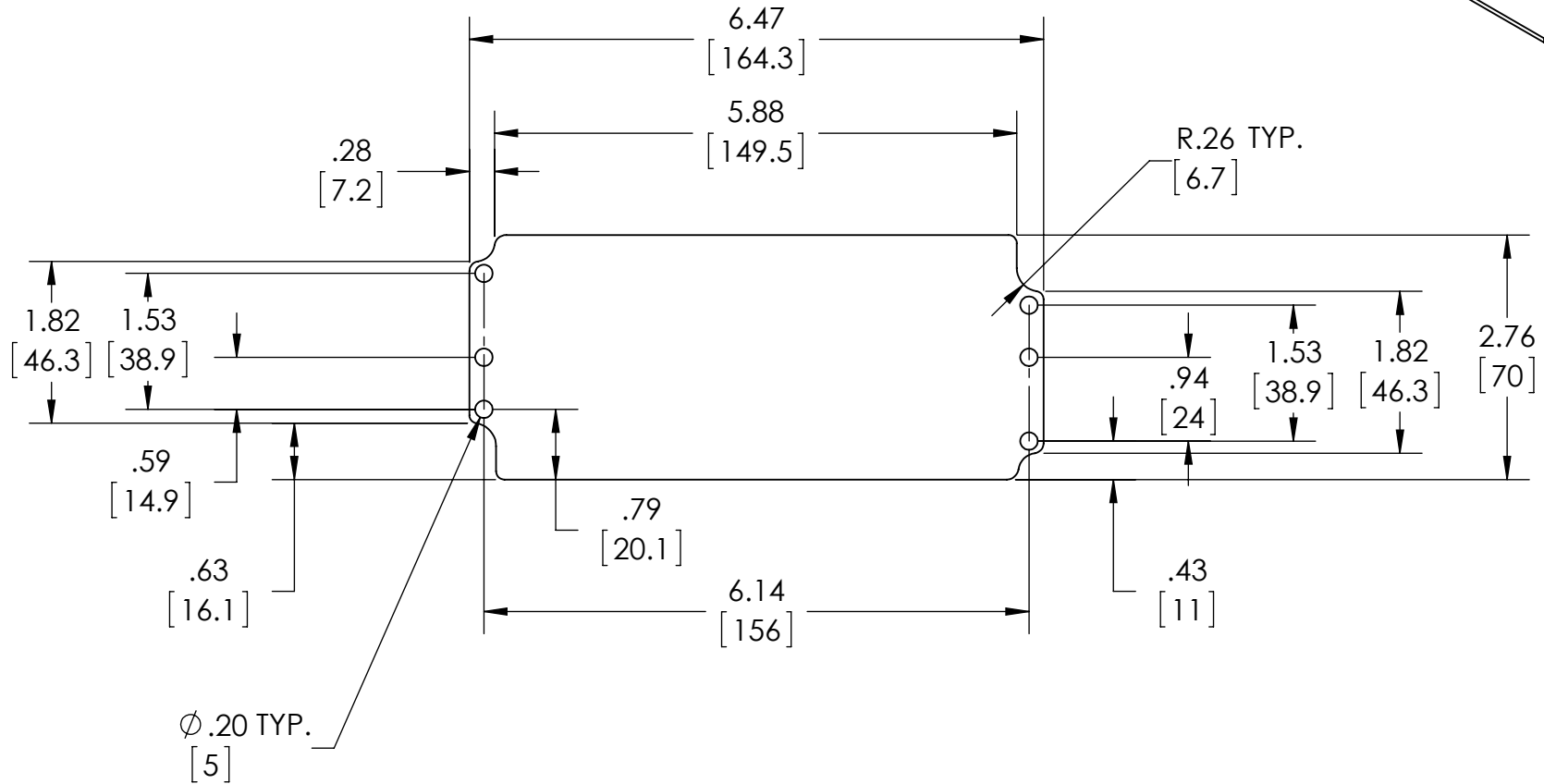
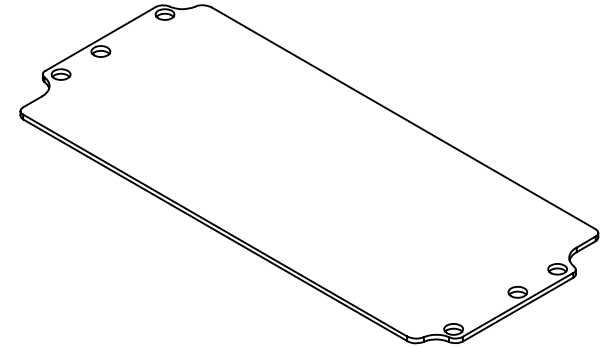
REV. DATE

10-27-15

MATERIAL: (-A SUFFIX) .060 [1.5] THK. ALUMINUM (3003-H14) NATURAL FINISH  
(NO SUFFIX) 16 GA. C.R.S. ZINC PLATE

**DRAWING FOR REFERENCE**  
WE RESERVE THE RIGHT TO MAKE CHANGES TO OUR  
STANDARD PRODUCTS. PLEASE CONSULT WITH BUD INDUSTRIES  
PRIOR TO USING THIS DRAWING FOR DESIGN PURPOSE.

DIMENSIONS IN INCH[MM]



WILL FIT ENCLOSURE: #ATX-10510