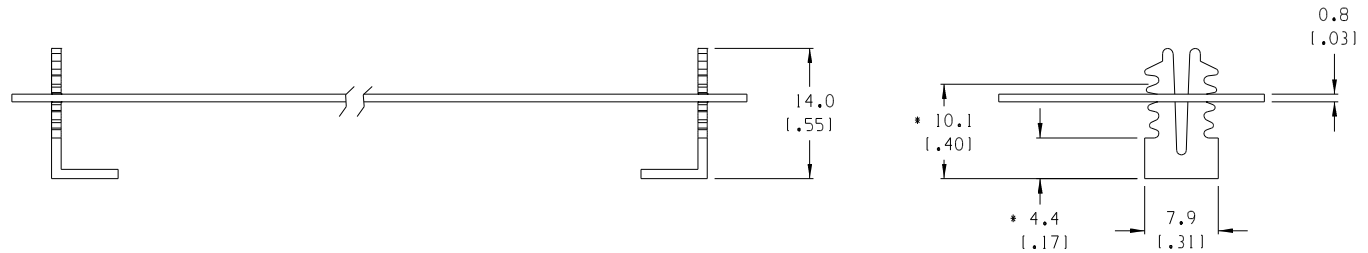
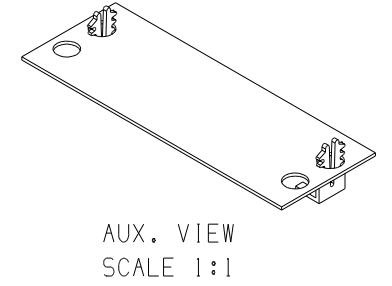
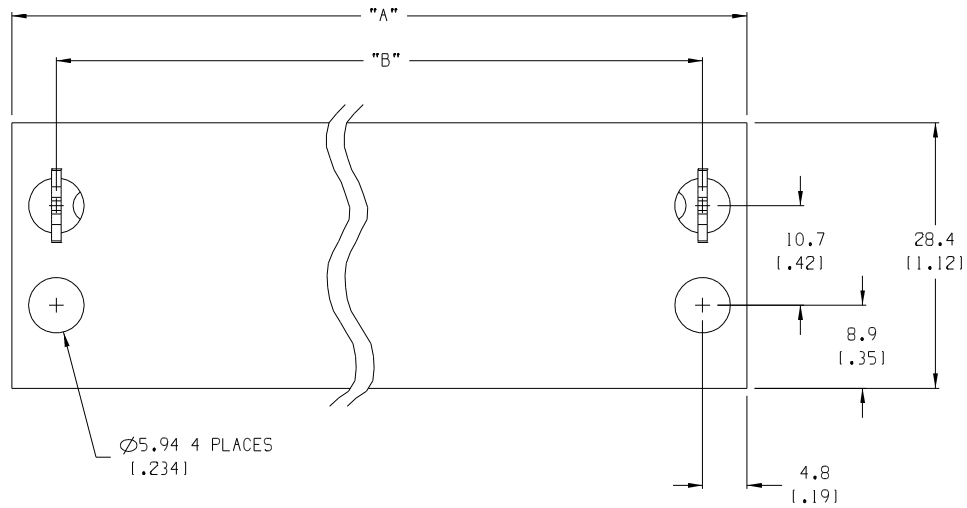


NO. OF CIRC.	DIM. "A"		DIM. "B"		KIT MATERIAL NO.
01	23.2	1.921	13.6	1.541	387836401
02	34.4	1.135	24.7	1.971	387836402
03	45.5	1.179	35.8	1.411	387836403
04	56.6	1.231	46.9	1.185	387836404
05	67.7	1.267	58.0	1.229	387836405
06	78.8	1.310	69.2	1.272	387836406
07	89.9	1.354	80.3	1.316	387836407
08	101.0	1.398	91.4	1.360	387836408
09	112.1	1.442	102.5	1.404	387836409
10	123.3	1.485	113.6	1.447	387836410
11	134.4	1.529	124.7	1.491	387836411
12	145.5	1.573	135.8	1.535	387836412
13	156.6	1.617	146.9	1.579	387836413
14	167.7	1.660	158.1	1.622	387836414
15	178.8	1.704	169.2	1.666	387836415
16	189.9	1.748	180.3	1.710	387836416
17	201.0	1.792	191.4	1.754	387836417
18	212.2	1.835	202.5	1.797	387836418
19	223.3	1.879	213.6	1.841	387836419
20	234.4	1.923	224.7	1.885	387836420
21	245.5	1.967	235.8	1.929	387836421
22	256.6	1.10.101	247.0	1.972	387836422
23	267.7	1.10.541	258.1	1.10.161	387836423
24	278.8	1.10.981	269.2	1.10.601	387836424
25	289.9	1.11.421	280.3	1.11.041	387836425
26	301.1	1.11.851	291.4	1.11.471	387836426
27	312.2	1.12.291	302.5	1.11.911	387836427
28	323.3	1.12.731	313.6	1.12.351	387836428
29	334.4	1.13.171	324.7	1.12.791	387836429
30	345.5	1.13.601	335.9	1.13.221	387836430



NOTES:

1. MATERIAL: SEE TABLE
2. FINISHES: SEE TABLE
3. PRODUCT SPECIFICATION: NOT REQUIRED
4. PACKAGING: NOT REQUIRED
5. MATES WITH: 18 AND 78 SERIES BTS
6. (* *) DIMENSIONS INDICATE MAX. AND MIN. COVER HEIGHT.

ITEM	QTY.	DESCRIPTION	MATERIAL	FINISH
2	2	COVER CLIPS	ACETAL	NATURAL
1	1	BTS COVER	VULCANIZED FIBER	BLACK

EC NO. RELEASED CLY	MAJOR SYMBOLS	GENERAL TOLERANCES: (UNLESS SPECIFIED)		SCALE	DESIGN UNITS	THIRD ANGLE PROJECTION	PROJECT NO.	-	-	
		mm	INCH	2:1	<input type="checkbox"/> mm <input checked="" type="checkbox"/> INCH		DIMENSIONS:		SHT	REV
DESCRIPTION	CRITICAL	4 PLACES	± 0.015	DRAWN BY & DATE	C. YORK	10-04-04	TITLE: BTS COVER KIT, FLAT			
	SPC	3 PLACES	± 0.038	CHECKED BY & DATE			MATERIAL NO. SEE CHART			
REV	S	2 PLACES	± 0.13	APPROVED BY & DATE			DRAWING NO. SD-38783-001			
		1 PLACE	± 0.3	CAD FILENAME	CA04XX		SHEET NO. 1 OF 1			
		ANGULAR: $\pm 2^\circ$		DRAFT WHERE APPLICABLE MUST REMAIN WITHIN DIMENSIONS			THIS DRAWING CONTAINS INFORMATION THAT IS PROPRIETARY TO MOLEX INCORPORATED AND SHOULD NOT BE USED WITHOUT WRITTEN PERMISSION.			
							SIZE B			