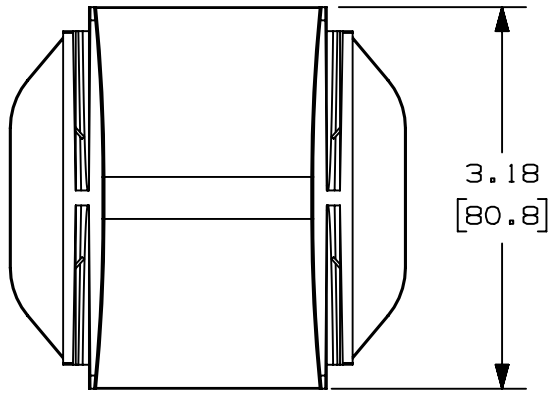


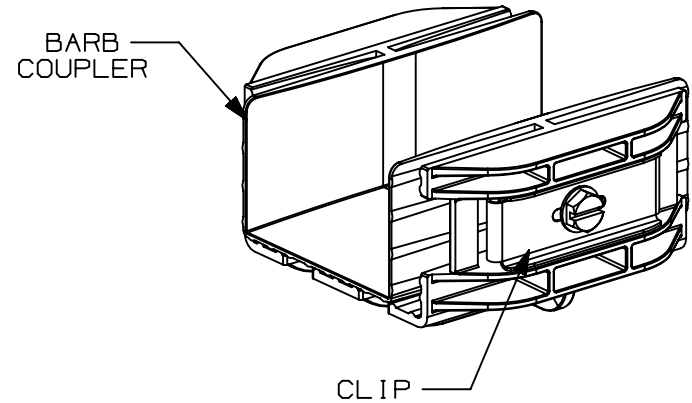
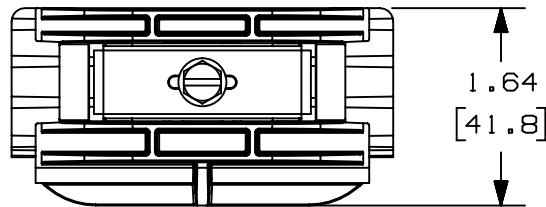
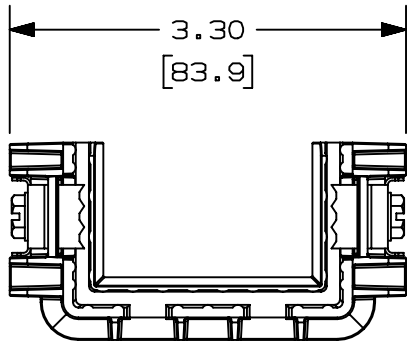
THIS COPY IS PROVIDED ON A RESTRICTED BASIS AND IS NOT TO BE USED IN ANY WAY DETRIMENTAL TO THE INTERESTS OF PANDUIT CORP.

NOTES:

1. SEE CURRENT CATALOG FOR ADDITIONAL PART SUFFIXES TO INDICATE COLOR AND/OR PACKAGE QUANTITY.
2. DIMENSIONS IN PARENTHESES ARE IN METRIC.
3. PARTS SUPPLIED:
 (1) - BARB COUPLER
 (2) - CLIP



PANDUIT PART NUMBER	WEIGHT	MATERIAL
FBC2X2**	0.18 LB/EACH (80g/EACH)	ABS
FBC2X2L**	0.18 LB/EACH (80g/EACH)	PC/ABS



REV	DATE	BY	CHK	APR	DESCRIPTION	ECN
02B	8/20/20	MEX-JAGC	DWR	DWR	ADDED PART NUMBER	V09002DZ/11
2	02-22-13	JBN	RTFI	RN	UPDATED DRAWING BORDER & TITLE BLOCK	38210-07

TITLE FIBERRUNNER 2X2 QUIKLOCK COUPLER (FBC2X2**, FBC2X2L**) CUSTOMER DRAWING					
ITEM REVISION NAME D38210BH/01					
DATASET FILE NAME D38210BH_DC/01C					
MATERIAL: SEE PART NUMBER TABLE ABOVE					DRAWING NUMBER: 38210-07
DRAWN BY JHNU	DATE 12-29-05	CHK DJWA	SCALE NONE	SHT 1 OF 1	SIZE A

D10100DA/14