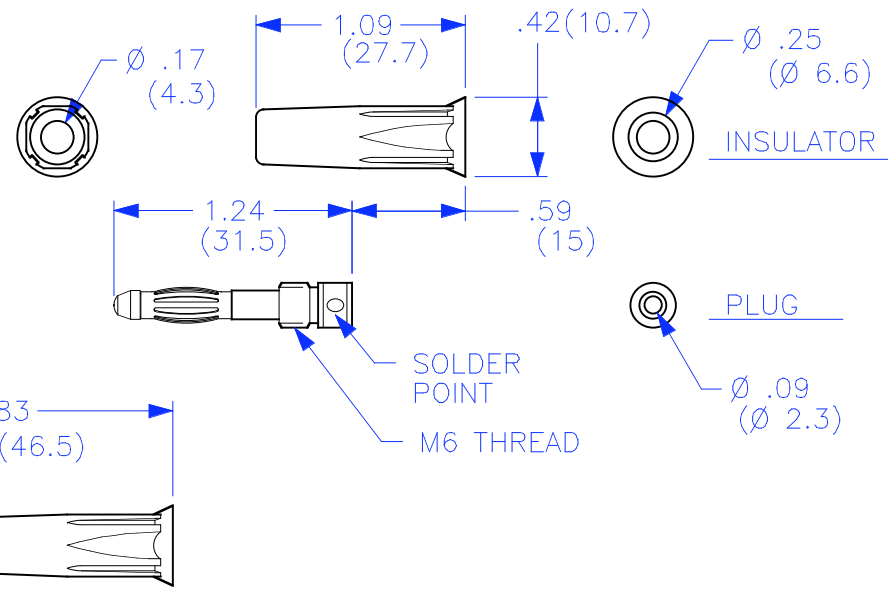


THIS IS ISSUED IN STRICT CONFIDENCE THAT IT IS NOT USED AS A BASIS FOR MANUFACTURE OR SALE AND THAT IT IS NOT COPIED, REPRINTED OR DISCLOSED TO A THIRD PARTY EITHER WHOLLY OR IN PART WITHOUT THE PRIOR WRITTEN CONSENT OF CAL TEST ELECTRONICS, INC.

REVISIONS			
REV.	DESCRIPTIONS	DATE	APPROVED
-	CLASS A RELEASED	7/11/99	

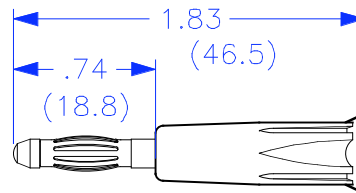
- DO-IT-YOURSELF (DIY) 4mm IN-LINE PLUG, SOLDER ATTACHMENT.
- SPECIFICATIONS:
 INSULATOR BODY: POLYAMIDE (NYLON)
 PLUG BODY: BRASS, NICKEL PLATED
 SPRING CONTACT: BRONZE-BERYLLIUM, NICKEL PLATED
- RATING:
 VOLTAGE: 1,200V AC/DC
 CURRENT: 36A MAX.
 TEMPERATURE: -20° C TO +80° C.
- MAXIMUM WIRE SIZES:
 CONDUCTOR: \varnothing .090 (12AWG)
 STRIP LENGTH: .25 (6.4)



PART NUMBER

CT2002-#

- COLOR:
- 0 - BLACK
 - 2 - RED
 - 4 - YELLOW
 - 5 - GREEN
 - 6 - BLUE
 - 9 - WHITE



ASSEMBLED

THIRD ANGLE PROJECTION		UNLESS OTHERWISE SPECIFIED DIMENSIONS ARE IN INCHES TOLERANCES ARE: FRACTIONS DECIMALS $\pm 1/32$.XX $\pm .02$.XXX $\pm .005$ DO NOT SCALE DRAWING	CONTRACT NO.		Cal Test Electronics 22820 Savi Ranch Parkway Yorba Linda, CA 92887-4610			
			APPROVALS	DATE	TITLE			
NEXT ASSY		MATERIAL	DRAWN	WDH	DIY 4mm PLUG, SOLDER			
USED ON		FINISH	CHECKED		SIZE	CAGE CODE	DWG. NO.	REV.
APPLICATION			ENGR.		A	43F45	P200200	-
			DESIGN ACTIVITY		SCALE	1:1	SHEET	1 OF 1