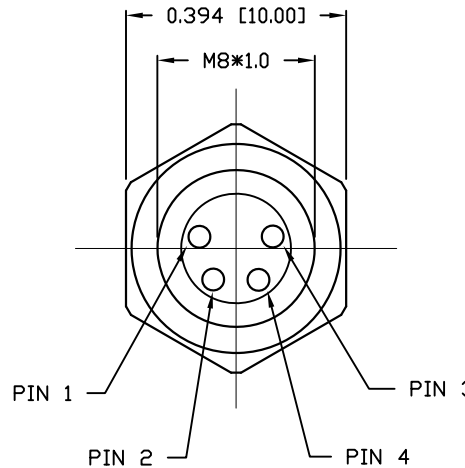
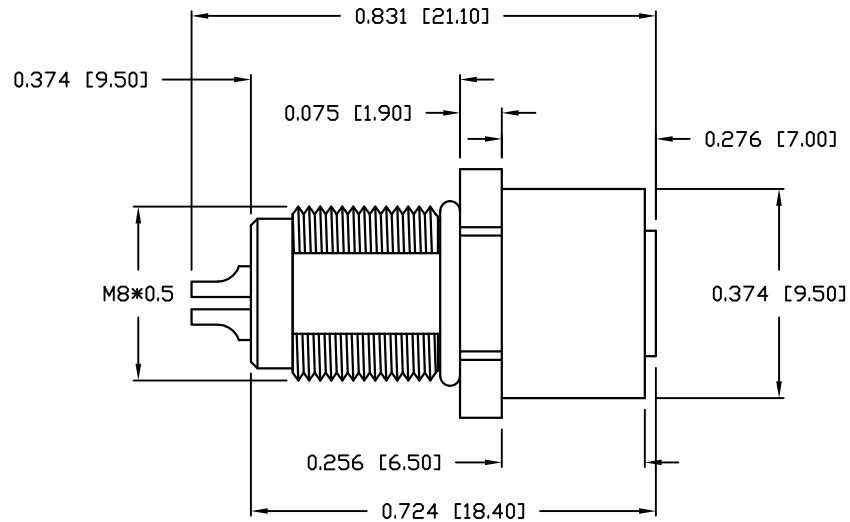


DESCRIPTION: M8 FEMALE - PANEL MOUNT (FRONT) - SOLDER CUP - 4 POS.

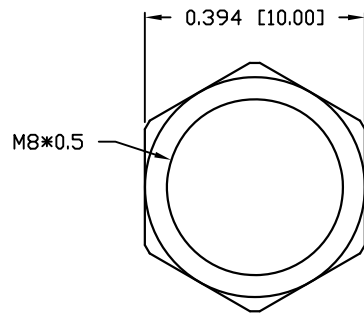


NOTE:

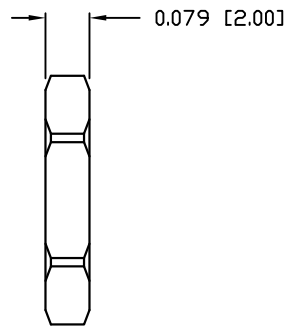
MATERIAL  
 HOUSING: PBT UL94V-0, BLACK  
 CONTACT: BRASS  
 SHELL: BRASS  
 NUT: BRASS  
 O-RING: EPDM, BLACK  
 FINISH:  
 CONTACT: GOLD PLATED OVER 50µ" NICKEL NICKEL  
 SHELL:  
 ELECTRICAL  
 RATED CURRENT: 3A  
 RATED VOLTAGE: 60V  
 INSULATION RESISTANCE: 100 MΩhms MIN.  
 CONTACT RESISTANCE: 10 mΩhms MAX.  
 WATER PROOF: IP67  
 ENVIRONMENT  
 OPERATION TEMPERATURE: -40°C TO +85°C  
 MAX WIRE AWG: 26 AWG

855-A04-203R00Y

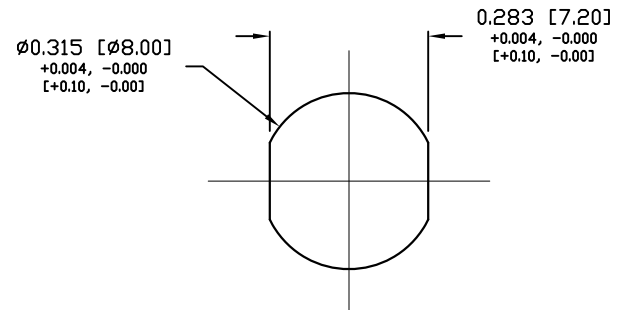
1 = GOLD FLASH  
 4 = 10µ" GOLD



NUT



RECOMMEND PANEL CUT-OUT



RoHS COMPLIANT

UNITS = inch [mm]

DO NOT SCALE FROM DRAWING



THESE DRAWINGS AND SPECIFICATIONS ARE THE PROPERTY OF NorComp AND SHALL NOT BE REPRODUCED, COPIED OR USED AS THE BASIS FOR THE MANUFACTURE OR SALE OF APPARATUS WITHOUT WRITTEN PERMISSION.

DRAWN:

M. SIGMON

DATE:

03-04-16

NorComp

SCALE:

N.T.S.

SHEET

1

OF

1

REV

3

DWG NO.

855-A04-203R00Y