



PART NAME

EXTRUDED ALUMINUM IP65 PCB ENCLOSURES

PART No.

EXN-23359 (SEE TABULATION FOR COMBINATIONS)

REVISION DATE

10-23-15

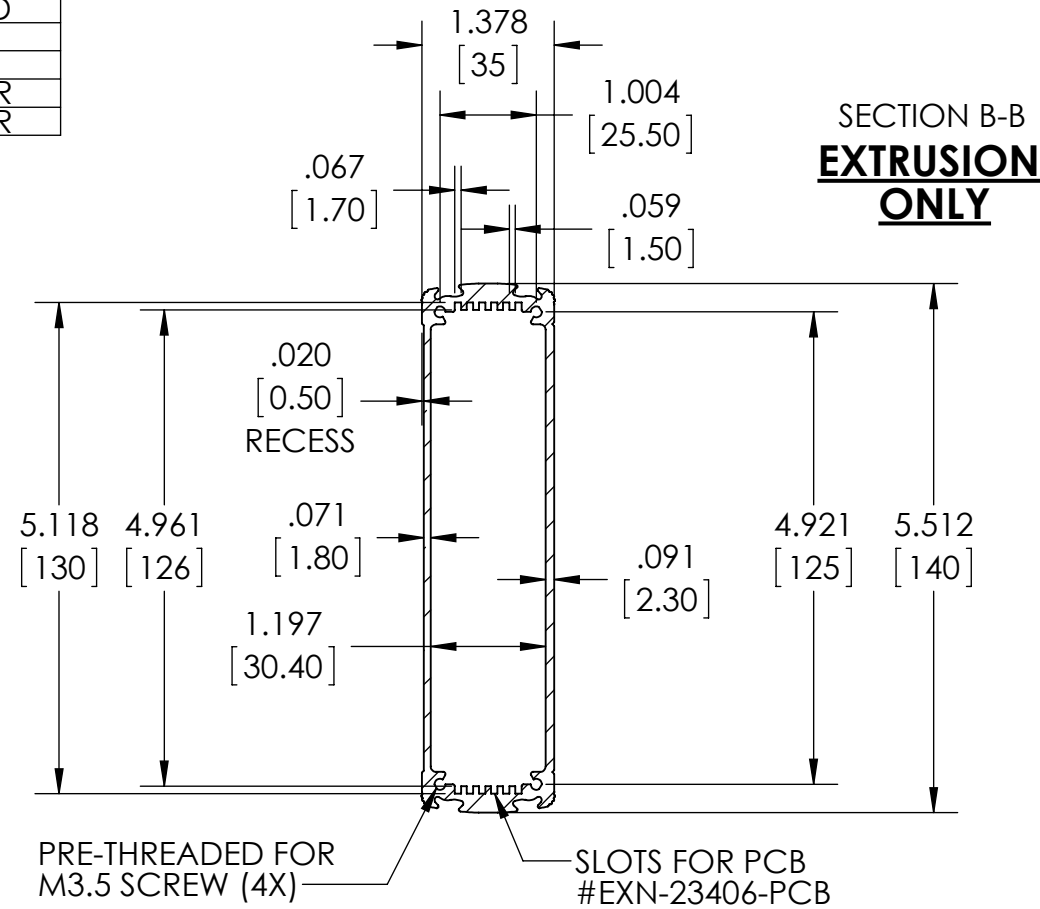
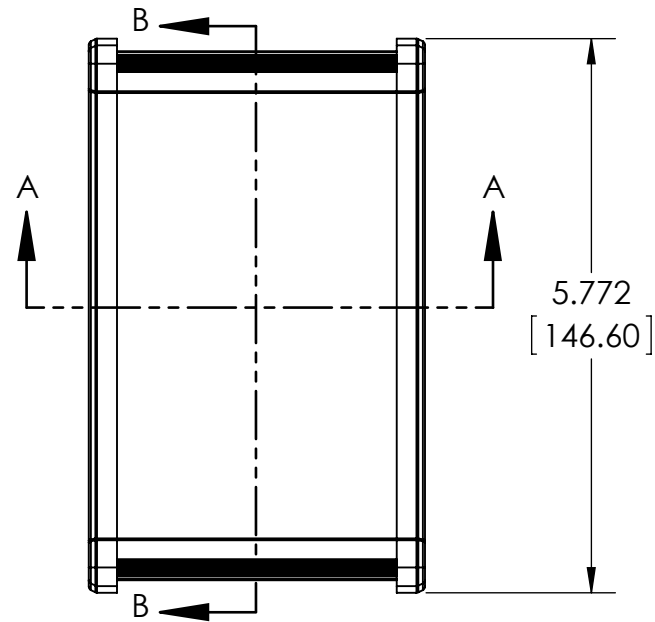
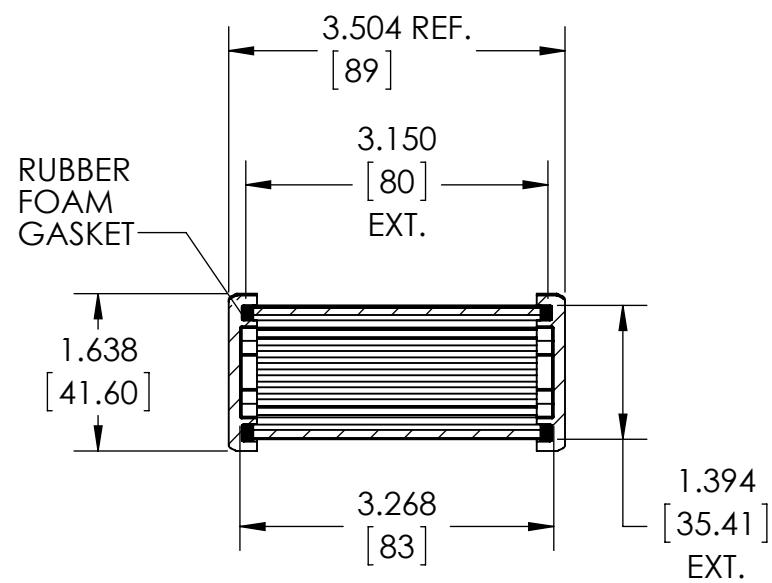
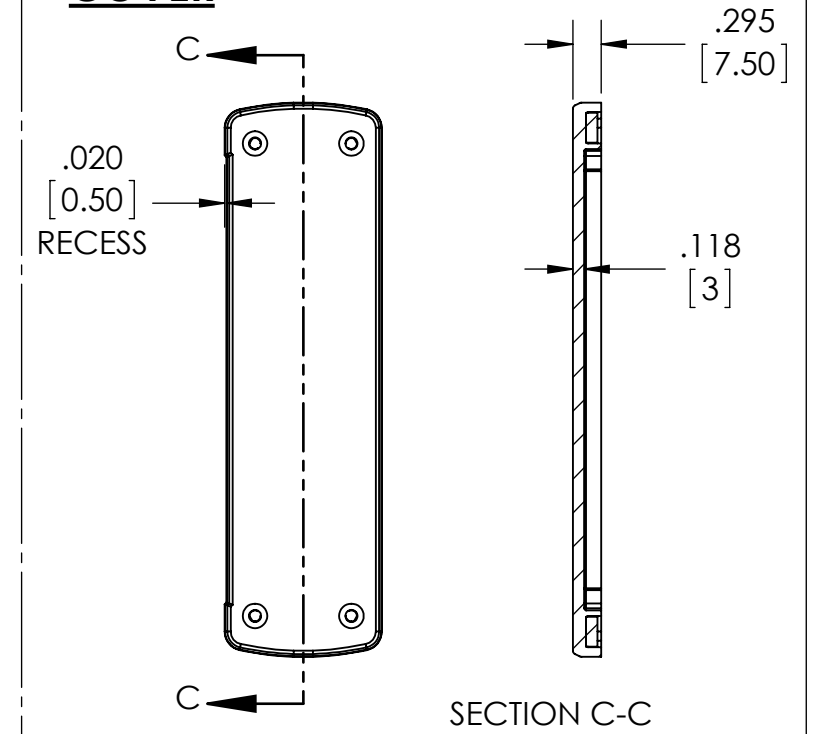
PART NUMBER	ALUM. COVER	PLASTIC COVER	BODY COLOR
EXN-23359-BK	BLACK	-	BLACK
EXN-23359-BKP	-	BLACK	BLACK
EXN-23359-BL	BLACK	-	BLUE
EXN-23359-BLP	-	TRANSLUCENT BLUE	BLUE
EXN-23359-GD	BLACK	-	GOLD
EXN-23359-GDP	-	CLEAR	GOLD
EXN-23359-RD	BLACK	-	RED
EXN-23359-RDP	-	IR RED	RED
EXN-23359-SV	BLACK	-	SILVER
EXN-23359-SVP	-	CLEAR	SILVER

MATERIAL: ALUMINUM EXTRUSION BODY PROVIDED WITH ALUMINUM COVER (2X) AND GASKETS OR POLYCARBONATE COVER (2X) AND GASKETS - NOT ASSEMBLED

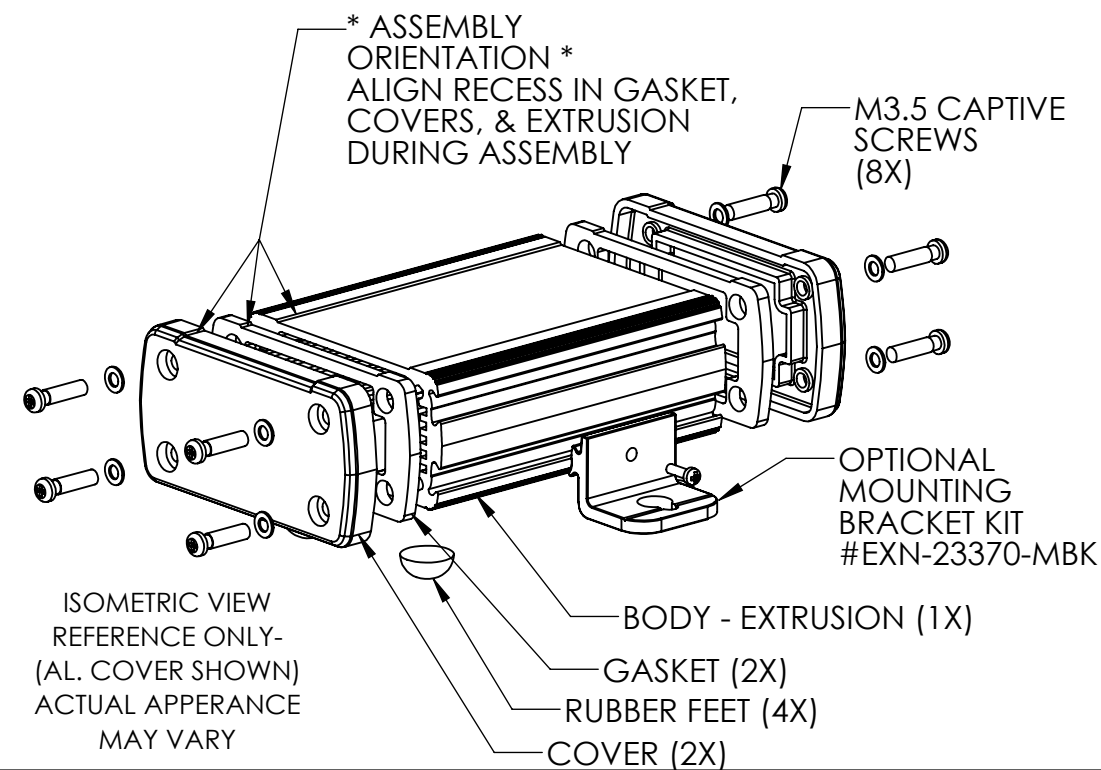
DIMENSIONS ARE INCH[MM]

DRAWING FOR REFERENCE

WE RESERVE THE RIGHT TO MAKE CHANGES TO OUR STANDARD PRODUCTS. PLEASE CONSULT WITH BUD INDUSTRIES PRIOR TO USING THIS DRAWING FOR DESIGN PURPOSE.

**DIE CAST ALUMINUM COVER**SECTION A-A
SCALE 1 : 2

DIMENSIONS MAY VARY DEPENDING ON THE COMPRESSION OF THE GASKETS

**PLASTIC COVER**