

PART NAME

NEMA 4X ENCLOSURE

PART No.

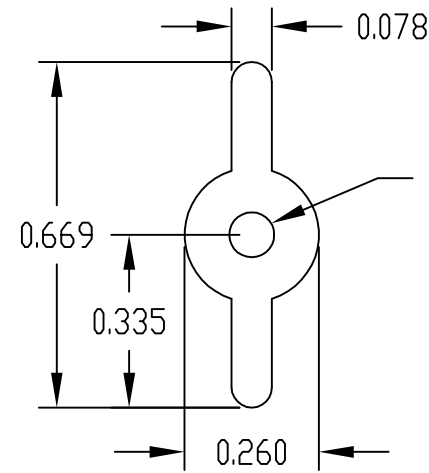
PN-1330, PN-1330-C AND PN-1330-DG

REV. DATE

11-17-08

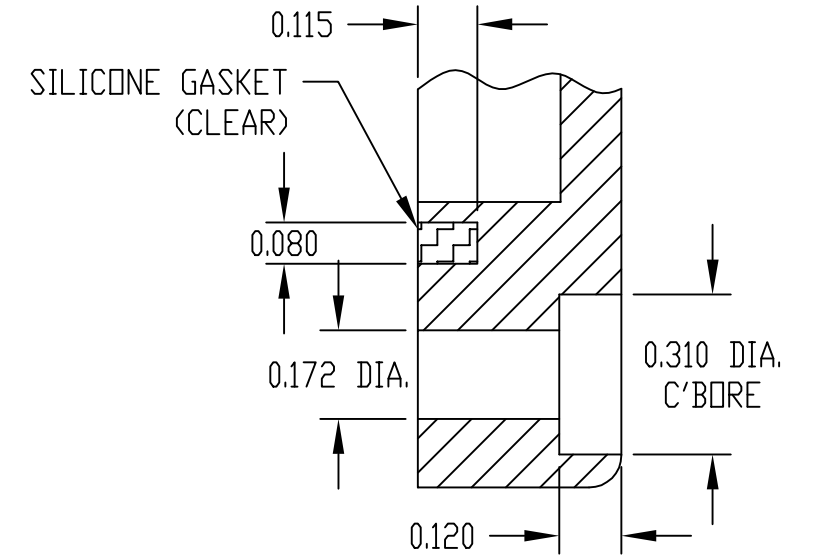
INDUSTRY STANDARDS:

POLYCARBONATE (LIGHT GRAY AND CLEAR)
UL94-HB FLAMMABILITY RATING (UL FILE #E41613)
UV STABILIZED
SERVICE TEMPERATURE RANGE: -40°C TO +120°C
ABS (DARK GRAY)
UL94-HB FLAMMABILITY RATING (UL FILE #E56070)
SERVICE TEMPERATURE RANGE: -40°C TO +80°C

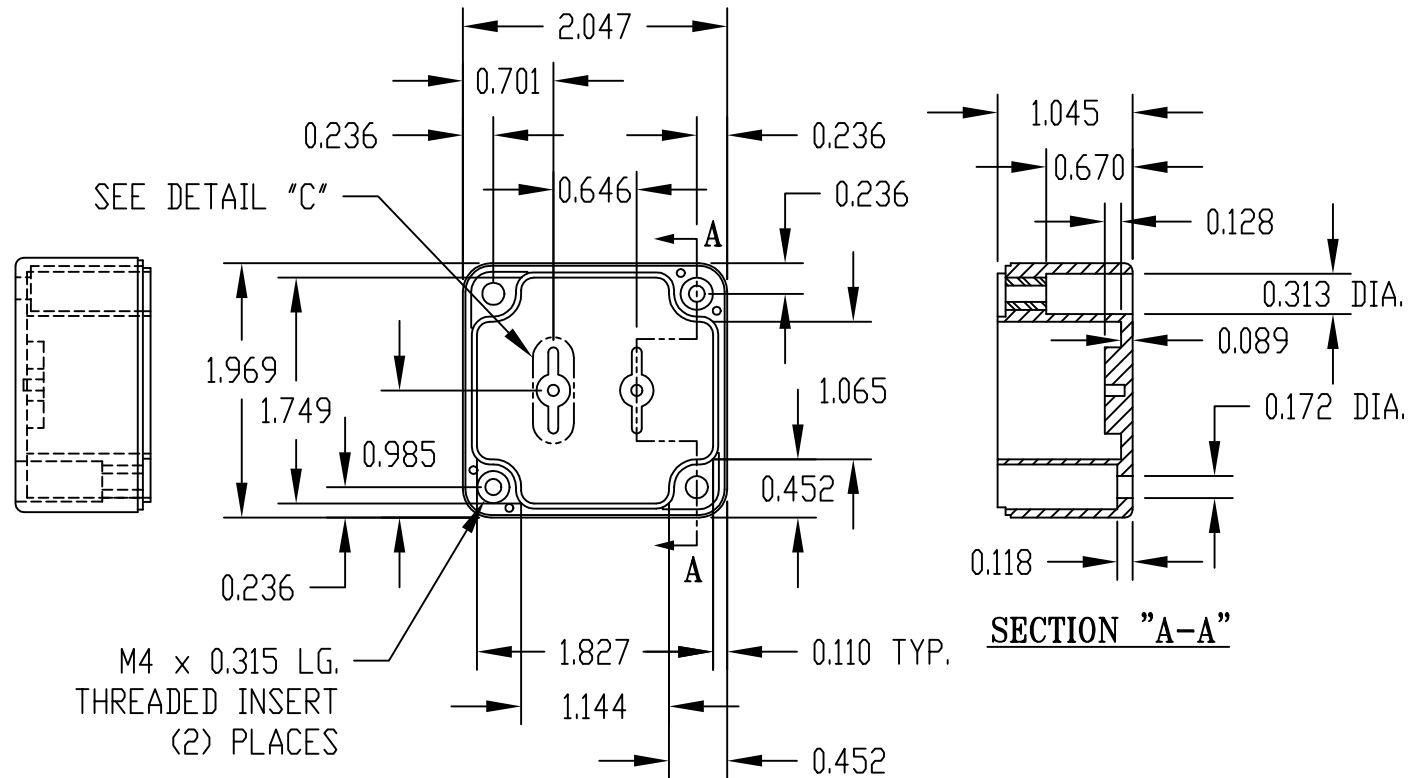


0.090 DIA. HOLE x 0.156 DEEP
MOUNTING BOSSES USE EITHER M2.5 METRIC
OR #4 STD. SHEET METAL SCREWS x 0.188 LG.
(NOT SUPPLIED)

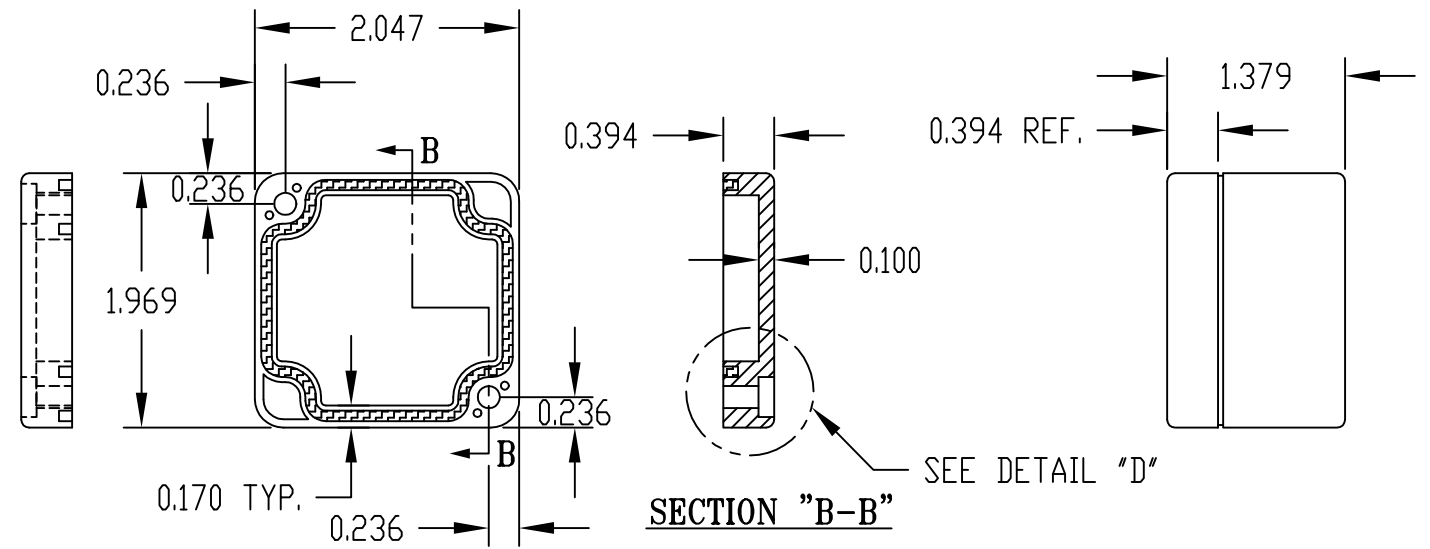
DETAIL "C"
(2 PLACES)



DETAIL "D"



SECTION "A-A"



COVER

SECTION "B-B"

BODY

NOTE: ALL DIMENSIONS HAVE ±0.015 TOLERANCE UNLESS OTHERWISE SPECIFIED.

PART NUMBER	MATERIAL		FINISH		HARDWARE KIT
	BODY	COVER	BODY	COVER	
PN-1330	POLYCARBONATE		LIGHT GRAY		KIT CONTAINS (2) M4 x 20mm (0.787") LG. SCREWS FOR ASSEMBLY
PN-1330-C	POLYCARBONATE		LIGHT GRAY	CLEAR	
PN-1330-DG	HIGH-IMPACT ABS		DARK GRAY		