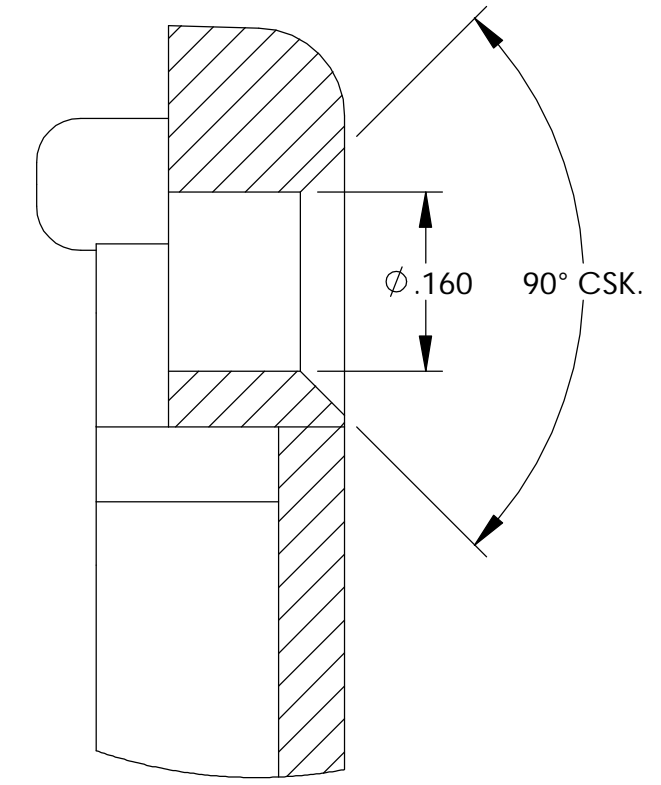
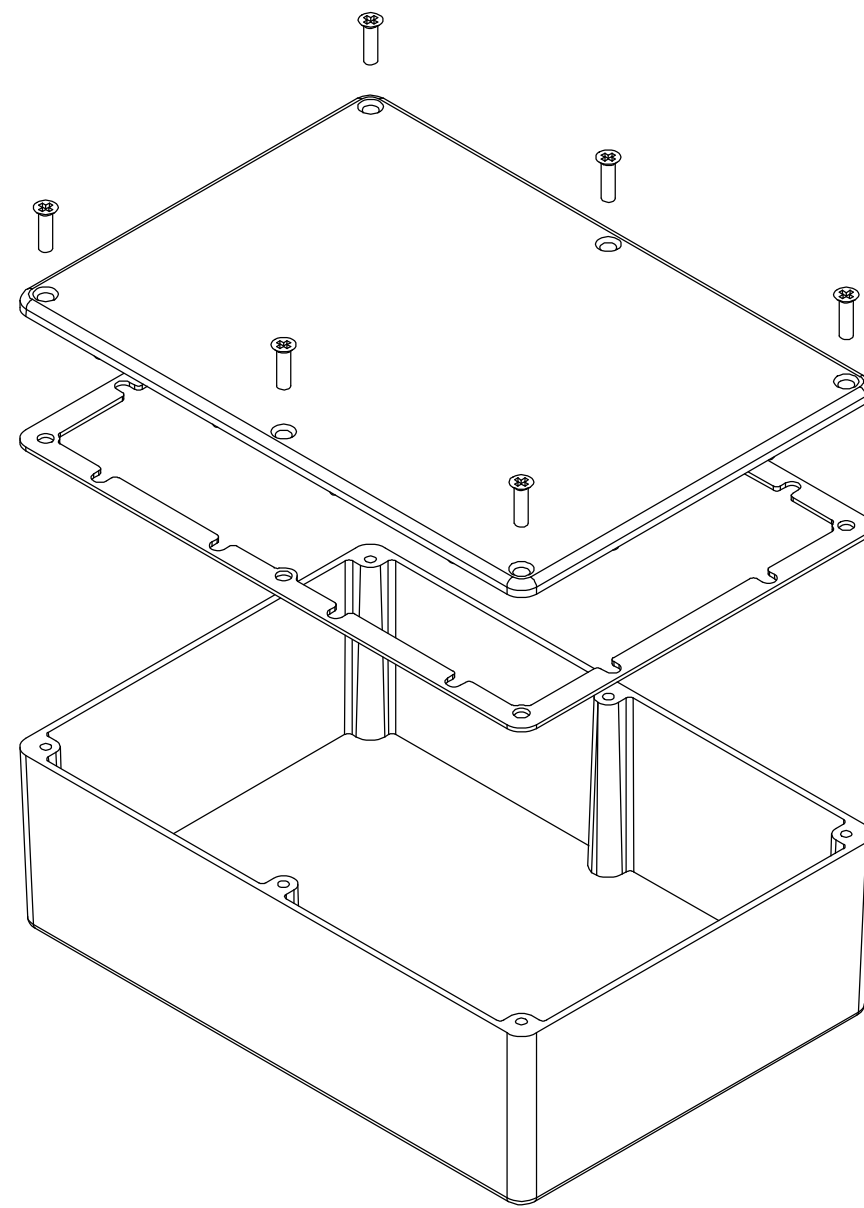


THE INFORMATION CONTAINED IN THIS DRAWING IS THE SOLE PROPERTY OF BUD INDUSTRIES INC. ANY REPRODUCTION IN PART OR WHOLE WITHOUT THE WRITTEN PERMISSION OF BUD INDUSTRIES INC. IS PROHIBITED.

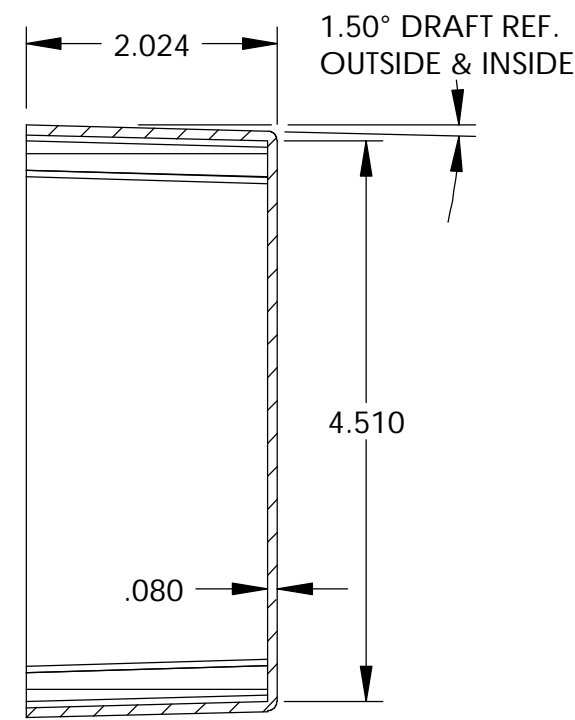
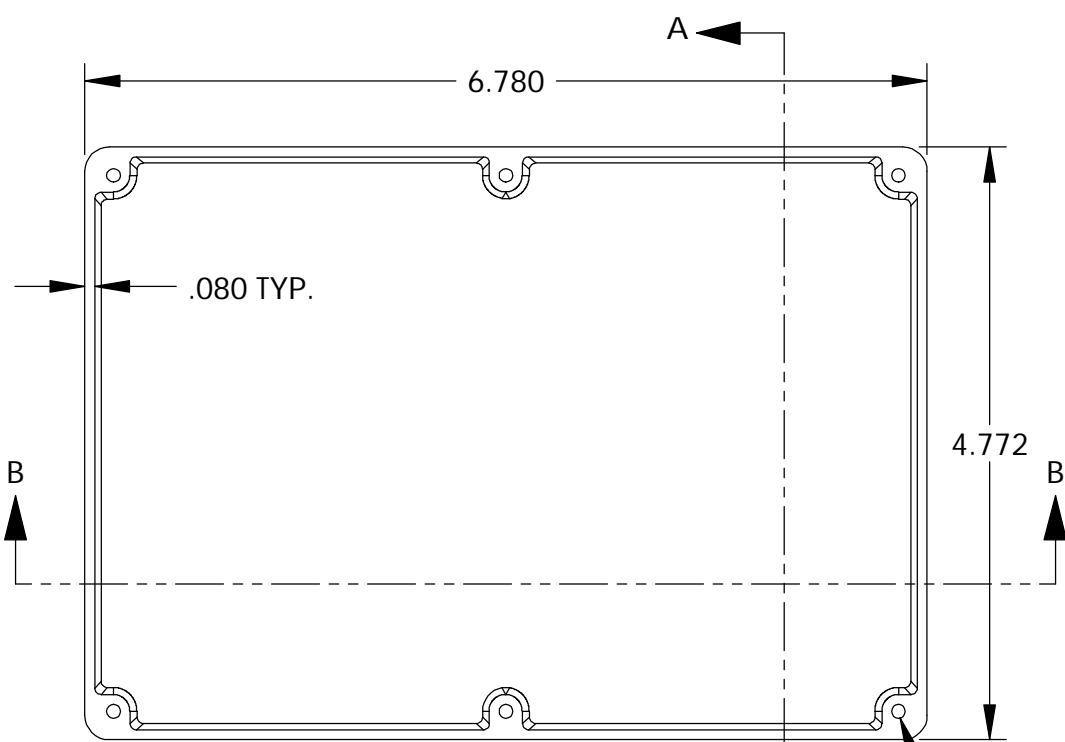
DWG. NO.	CN-5709
ISSUE	REVISIONS

MATERIAL - ALUMINUM ALLOY #ADC-12  
 FINISH - NATURAL (CONTACT BUD FACTORY FOR ALTERNATE FINISHES)  
 GASKET - RATED IP65 NEOPRENE, SELF-ADHESIVE, 3mm THICK, COLOR BLACK  
 SCREWS - STAINLESS STEEL, M3.5 x 12mm LG., CSK. HEAD, SELF-THREADING

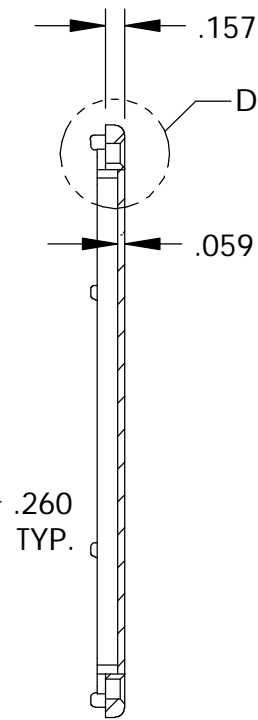
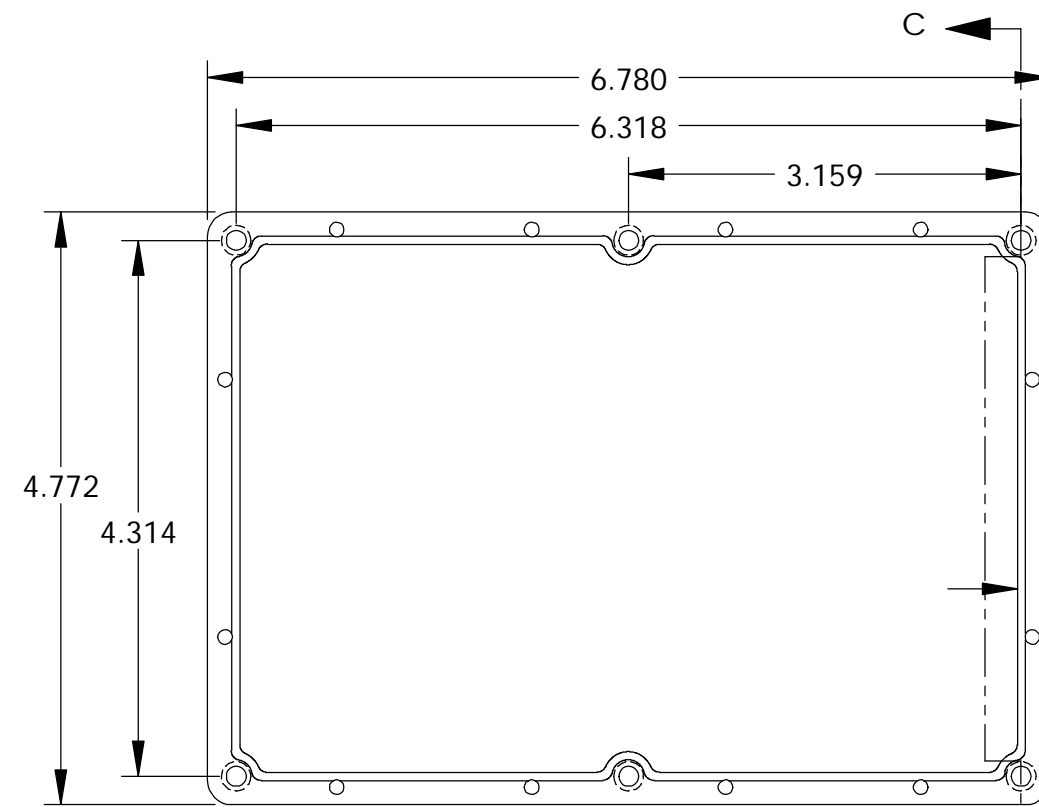
ALL HOLE DIAMETERS HAVE ±.005 TOLERANCE.  
 ALL OTHER DIMENSIONS HAVE ±.015 TOLERANCE.  
 ENCLOSURES ARE SHIPPED UNASSEMBLED WITH ALL ITEMS SHOWN.



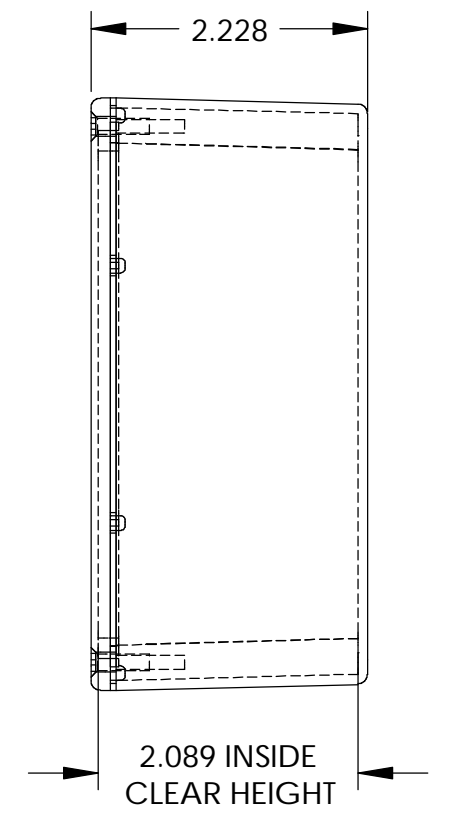
DETAIL D  
SCALE 6:1



SECTION A-A  
TAPPED M3.5 (6x)

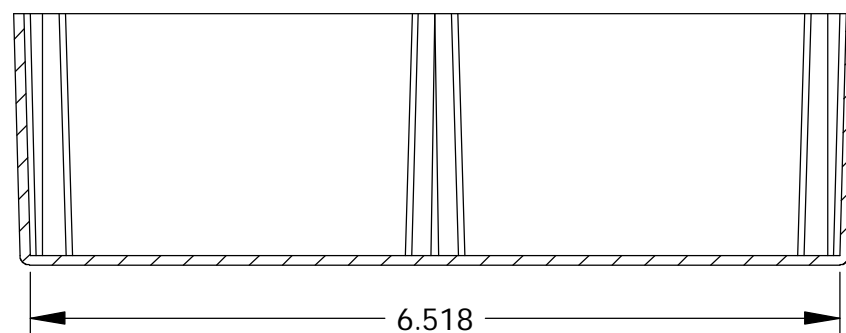


SECTION C-C



COVER

BODY



SECTION B-B

PARTS LIST			
±.005 BETWEEN HOLE CENTERS	CAD GENERATED DRAWING. DO NOT MANUALLY UPDATE		
±.015 FROM SHEARED EDGE	BUD INDUSTRIES INC.		
±.032 FROM A BENT SURFACE	APPROVALS	DATE	DIE CAST ALUMINUM ENCLOSURE
±.062 BETWEEN ASSEMBLED SURFACES	DRAWN: DAB	3-31-06	
UNLESS OTHERWISE SPECIFIED	CHECKED:		
MATERIAL: AS NOTED	APPROVED:		
FINISH: AS NOTED	DO NOT SCALE DRAWING		
QTY.	USED ON	DWG. NO. CN-5709	REV.
		SCALE	CAD FILE: SHEET 1 OF 1