



LED lighting

Semiconductors for power conversion and smart lighting

www.infineon.com/lighting



Contents

| | | | |
|--|----------|--|-----------|
| Introduction | 3 | LED strips and signage | 30 |
| LED drivers | 5 | Linear LED driver ICs | 31 |
| Mixed-signal PFC and flyback controllers | 6 | Very low-cost LED driver ICs | 32 |
| ICL8800/ICL8810/ICL8820 | 6 | BCR401W/BCR402W | 32 |
| BSS126I | 7 | Low-voltage-drop LED driver ICs | 33 |
| IRS2982S | 8 | BCR430U/BCR431U | 33 |
| IRS2505L | 9 | Robust LED driver ICs | 34 |
| ICE2PCS0XG/ICE3PCS0XG | 10 | BCR320U/BCR420U | 34 |
| SiC diodes for high-power applications | 11 | BCR401U/BCR402U/BCR405U | 35 |
| Digital flyback controllers | 12 | Radar sensors for smart lighting | 36 |
| XDPL8105 | 12 | Radar partner ecosystem at a glance including design house partners | 36 |
| XDPL8210 | 13 | Radar sensors for presence detection and more | 37 |
| XDPL8219 | 14 | Radar motion and presence sensor | 38 |
| XDPL8221 | 15 | Our partners | 39 |
| PFC plus half-bridge resonant controllers | 16 | Wi-Fi module partner solutions | 41 |
| ICL5102 | 16 | Bluetooth Mesh | 42 |
| ICL5102HV | 17 | Bluetooth Mesh integrated module solutions | 43 |
| DC-DC buck converters and smart controllers | 18 | Bluetooth Mesh Internet gateway | 43 |
| ILD8150 | 18 | Wi-Fi | 44 |
| BCR601/BCR602 | 19 | Wi-Fi module partner solutions | 45 |
| BCR601 | 20 | OPTIGA™ Trust M | 46 |
| IRS2982 for high-voltage buck | 21 | Turnkey security solution optimized for connected devices | 46 |
| CoolMOS™ – high-voltage MOSFETs | 22 | | |
| 950 V CoolMOS™ P7 | 23 | | |
| 800 V CoolMOS™ P7 | 24 | | |
| 700 V CoolMOS™ P7 | 25 | | |
| 600 V CoolMOS™ P7 | 26 | | |
| OptiMOS™ 5 – medium-voltage MOSFETs | 27 | | |
| 150 V OptiMOS™ 5 for synchronous rectification | 27 | | |
| NFC IC for configuration | 28 | | |
| NLM0010/NLM0011 | 28 | | |
| 0–10 V dimming interface IC | 29 | | |
| CDM10V | 29 | | |

Get ready for the next big thing in LED lighting

LED lights have become part of our daily lives, making a significant contribution to global efforts to reduce our carbon footprint. LED lights have already replaced most installations fitted with either inefficient light sources like incandescent lamps or even more efficient sources like HID lamps designed for extended operating hours. LED penetration has been incredibly rapid across applications such as tunnel and subway lighting and outdoor lighting.

Looking ahead, we will focus on:

- › High-power LED lighting, for instance in stadiums
- › Horticultural lighting to replace 1000 W HPS lamps
- › Office lighting to replace fluorescent lamps

Many may assume that these developments mark the end of the LED innovation journey. However, here at Infineon Technologies, we anticipate significant new momentum in the LED space – and we are set to help shape future developments.

All indicators show that current efforts are not sufficient to slow down global warming. Today, many LED installations are not equipped with any control technology. Many users are satisfied with the energy savings they have achieved thus far by converting their existing light sources to LEDs. However, looking to the future is set to change – driven by direct or indirect regulatory requirements and the resulting increase in taxes on energy consumption and CO₂ emissions.



Hakan Yilmazer
Head of Application
Marketing for Lighting

Widespread implementation of presence detectors would be an extremely effective way to reduce energy consumption significantly. These sensors have to meet more stringent demands than the current passive infrared sensors that can only detect very rough motion.

Another topic that is gaining more attention is the efficiency and dimming quality of LED drivers. Today, most users are happy with an efficiency rate of 88 percent for power conversion. However, this figure could be easily pushed far above 90 percent by changing the topology for power conversion.

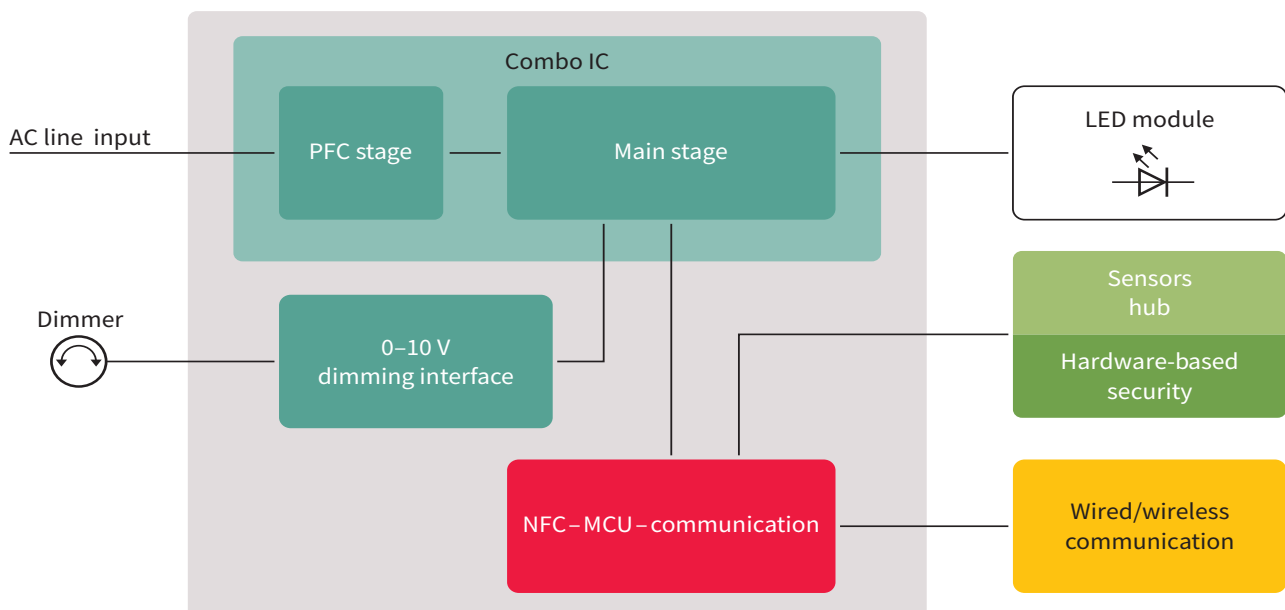
Dimming is currently widely deployed in residential and hospitality lighting applications. Street lighting applications do not typically support dimming functionality. LED dimming can enable substantial power savings compared with previous light sources and extend the system's lifetime.

At Infineon Technologies, we are passionate about developing these exciting applications in collaboration with our customers and partners. Our ambition is to offer customized products and solutions to our customers to address the critical energy efficiency challenges facing society now and in the future.

We hope you will enjoy the new edition of our LED lighting brochure.



Lighting system overview





LED drivers

The type of LED drivers used in an LED lighting application has a significant impact on key system performance indicators such as:

- › Efficiency
- › Dimming capability
- › Power quality, i.e. PFC/THD
- › Light quality, i.e. ripple/flicker
- › Configurability of parameters, i.e. output current
- › Ability to support add-on features such as power monitoring
- › Product lifetime

System efficiency can be influenced by the choice of topology and the type of components used. A resonant topology, for instance, can increase LED driver efficiency by 4–5 percent. The right MOSFETs, a high-voltage start-up cell and synchronous rectification can also have a positive impact. Dimming down to 1 percent light output has become mainstream for indoor lighting .

Design strategies usually use analog dimming to a certain level and then switch to PWM dimming for lower levels. Many customers demand compliance with PFC and THD regulatory requirements at 50 percent dimming.

LED drivers based on a single-stage flyback topology usually have an output current ripple of ± 30 percent. Growing dissatisfaction with this ripple is fueling widespread adoption of two-stage topologies, i.e. single-stage PFC flyback combined with a secondary buck regulator.

To date, DIP switches have been typically deployed to configure the output current of LED drivers. The trend is now moving towards more elegant methods with LED driver manufacturers and lighting fixture makers opting for NFC technology, for example. Digital controllers with a digital interface such as UART enable designers to implement power monitoring at luminaire level.

www.infineon.com/leddrivers

Mixed-signal PFC and flyback controllers

ICL8800*/ICL8810*/ICL8820*

ICL88xx family of single-stage flyback controllers for constant voltage output is tailored for LED lighting applications to meet the required performance cost-effectively. They offer benchmarking performance for power factor correction and total harmonic distortion at full-load as well as at low-load conditions. Also, the controller's low standby power provides more margin for smart lighting systems that contain microcontrollers. The jitter function enables fulfillment of EMI requirements when the luminaire is foreseen to operate as an emergency luminaire.

Features ICL8800

- > Secondary-Side-Regulated (SSR) Constant Voltage (CV) output flyback controller
- > Depending on load condition, either quasi-resonant or discontinuous conduction mode with power factor correction applied

ICL8810 contains in addition

- > Active burst mode (ABM) to ensure low standby power

ICL8820 contains in addition

- > Jitter function

Benefits

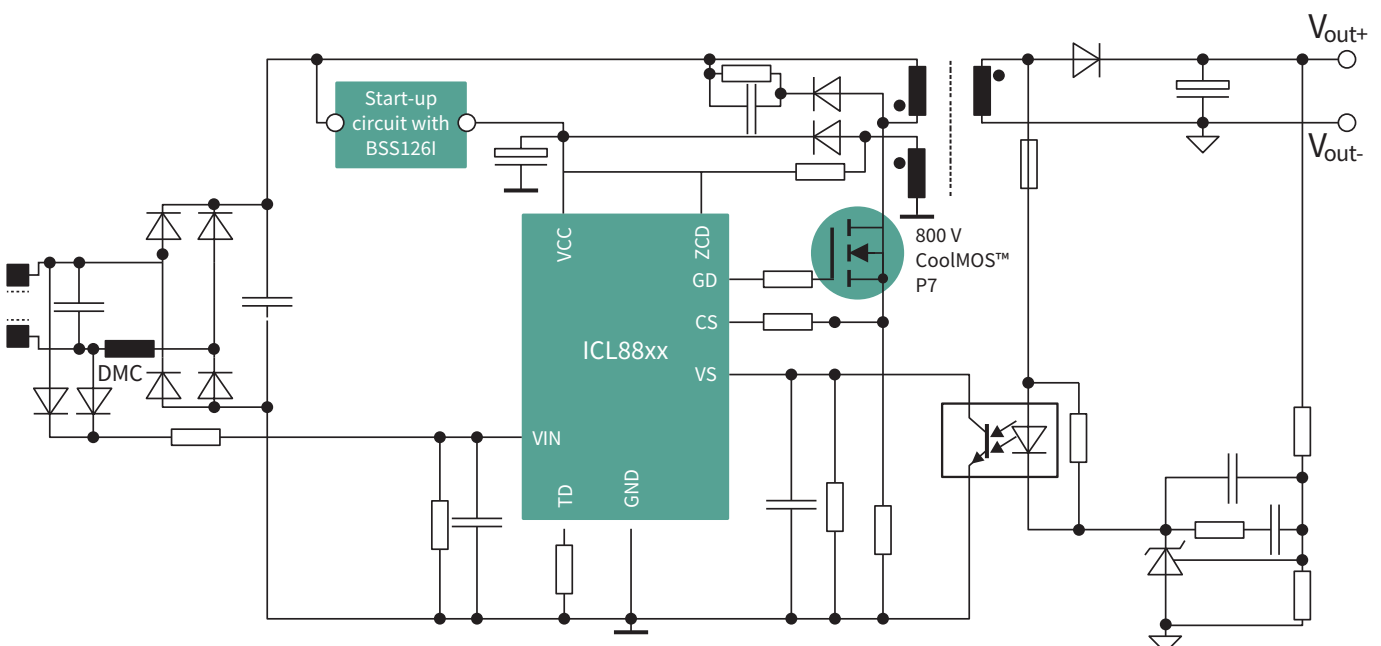
- > Supporting wide load range and fast and stable reaction to dynamic load changes
- > $PF > 0.9$ and $THD < 10\%$ across a wide load range (AC input up to 277 Vrms)
- > Optimal efficiency, power factor and THD can be achieved by best-suited mode. In addition, DCM eases compliance with EMI at low-load condition

ICL8810 contains in addition

- > Very low standby power < 100 mW enables smart lighting in connection with microcontrollers

ICL8820 contains in addition

- > Jitter function enables fulfillment complying with EMI regulations in DC operation, i.e. usage of luminaire as emergency lighting



*Coming soon

Mixed-signal PFC and flyback controllers

BSS126I – High voltage start-up depletion MOSFET

The most elegant way of reducing the start-up time of an LED driver is the usage of ,normally-on‘ depletion-mode MOSFET. Solutions with start-up resistors consume power not only during the IC’s start-up also throughout the entire operation. In most implementations where the depletion-mode MOSFET is used, these are switched off after start-up.

Features

- > Normally-on device
- > Can be switched off after start-up
- > Requires very few external components
- > Small SOT-23 package

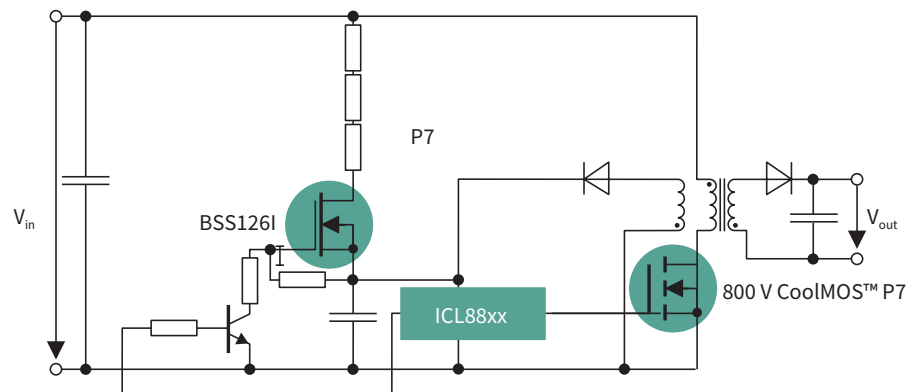
Benefits

- > Enables fast time-to-light < 500 ms
- > Higher system efficiency than start up resistor solutions
- > Increased system reliability due to lower thermal load
- > Helps fulfilling low system stand-by power requirements < 500 mW

Start-up current source

An external HV cell is preferred, e.g., designs with low standby power and no standby power.

With a depletion MOSFET, even at $V_{GS}=0$ V current will flow through the device. For a depletion MOSFET, a negative V_{GS} has to be applied to turn it off.



Application note

| Name | Description |
|--|--|
| Engineering report for 130W with ICL5102 | 130 W dimmable constant current LED driver using PFC and LLC |
| 320 W multichannel high-power LED driver | Engineering Report using ICL5102 + ID8150 |

Evaluation board

| Name | Products | Description |
|---------------------------------------|---|---|
| REF-ICL5102-U130W-CC | ICL5102, 600 V CoolMOS™ CE, BSS126I | PFC/LLC evaluation board 130 W LED driver |
| REF_LLC_BUCK_4CH_320W | ICL5102, ILD8150E, 600 V CoolMOS™ P7, BSS126I | Scalable 320 W multichannel high-power LED driver (using ICL5102 and ILD8150) |

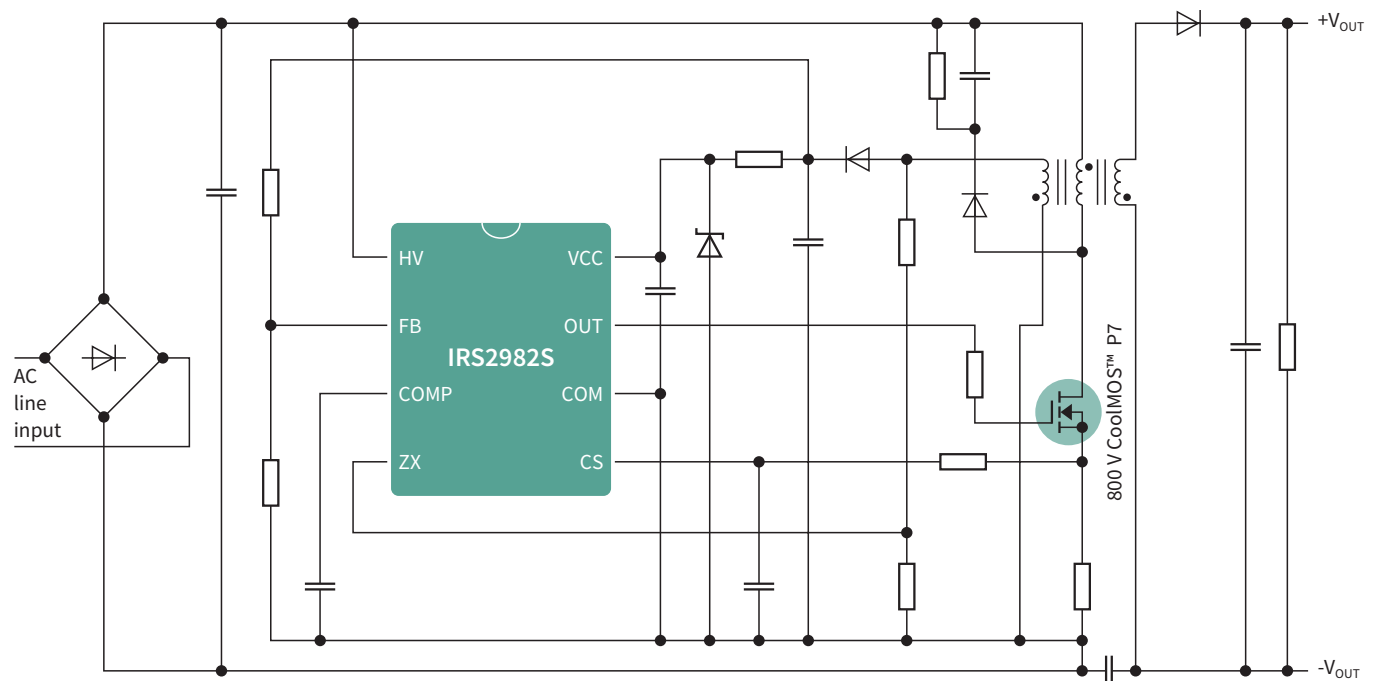
IRS2982S – single-stage PFC/flyback controller for constant voltage output

Features

- > Integrated 600 V high-voltage start-up cell
- > Multi-mode operation, DCM operation at light loads (minimum off-time)
- > Overvoltage protection
- > Burst-mode operation at very light loads

Benefits

- > Integrated start-up cell enables very high efficiency for wide-range input designs combined with fast time-to-light
- > Optimal efficiency, power factor and THD can be achieved by most suited mode. In addition, DCM eases compliance with EMI at low load condition by limiting the switching frequency



Application note

| Name | Description |
|--|--|
| ANEVAL_201602_PL16_017 | 55 W flyback converter design using the IRS2982S controller IRXLED04 |

Evaluation board

| Name | Products | Description |
|---|--|---|
| IRLXLED04 50W Flyback evaluation board* | IRS2982S , 800 V CoolMOS™ CE , 800 V CoolMOS™ P7 | 50 W flyback converter design using the IRS2982S controller |

* For more information on the product, contact our [product support](#).

www.infineon.com/irs2982

Mixed-signal PFC and flyback controllers

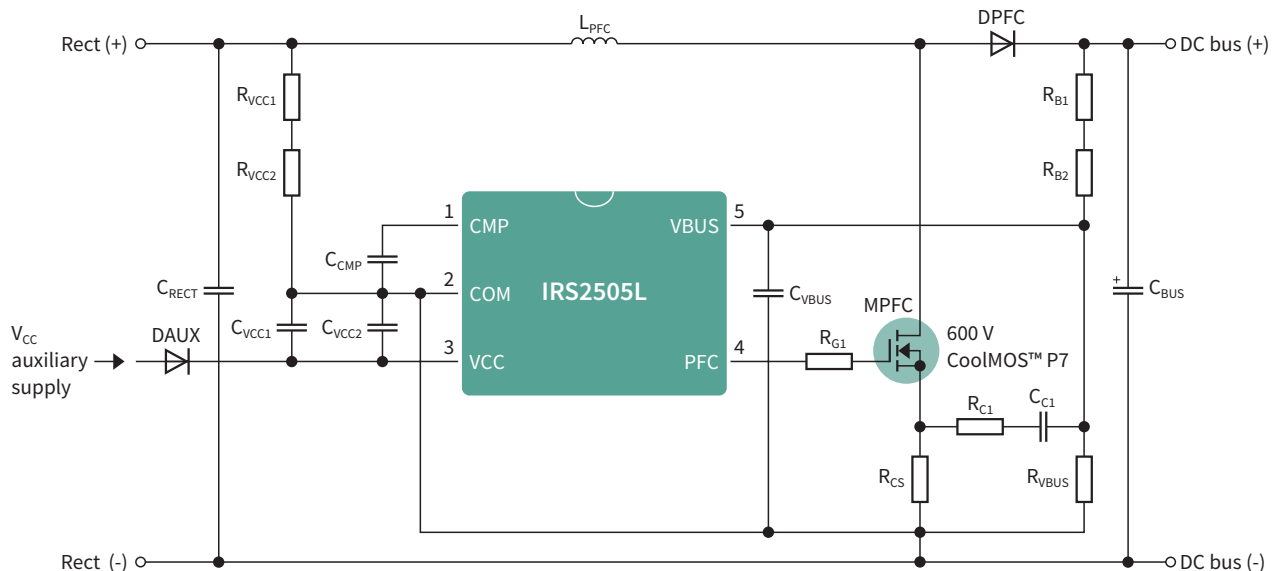
IRS2505L – low-cost PFC controller

Features

- > SOT23-5 package
- > High power factor and ultralow THD over a wide input range
- > Zero crossing sensed via the gate drive
- > PFC inductor auxiliary winding not necessary
- > Critical Conduction Model (CrCM) operation – low switching losses

Benefits

- > 70% smaller than a conventional SO8 package
- > Gate driver optimized to eliminate switch-off diode
- > Cycle-by-cycle overcurrent protection
- > Micro power start-up – very low start-up losses



Application note

| Name | Description |
|-----------------------------------|--|
| UG_201705_PL16_05 | Non-isolated two-stage boost PFC plus current-regulated buck LED driver IRXLED09 |

Evaluation board

| Name | Products | Description |
|-----------|---|--|
| IRXLED09* | IRS2505L, 600 V CoolMOS™ P7 | Non-isolated two-stage boost PFC plus current-regulated buck LED driver IRXLED09 |

* For more information on the product, contact our [product support](#).

www.infineon.com/irs2505l

ICE2PCS0xG/ICE3PCS0xG – CCM PFC controller

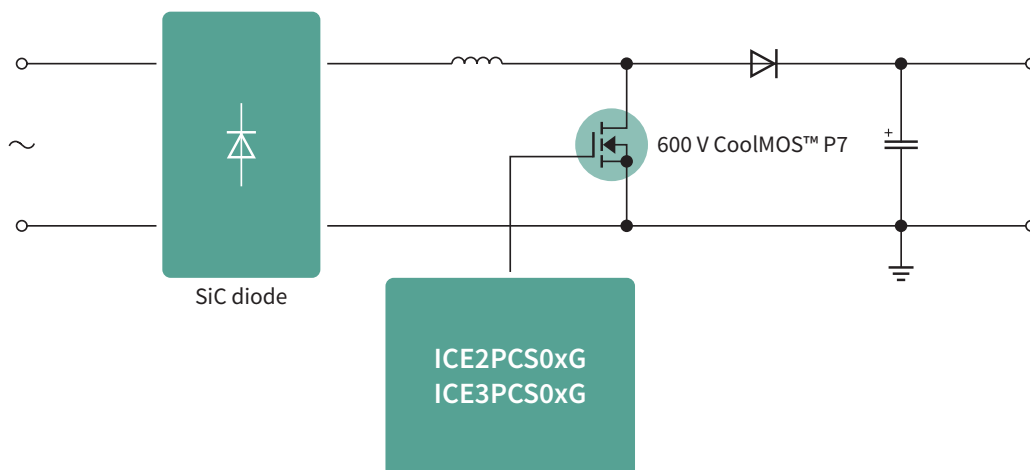
For power ranges above 300 W, CCM PFC mode offers benefits in terms of efficiency compared to DCM PFC mode.

Features

- › Trimmed internal reference voltage ($2.5\text{ V} \pm 1.2\%$)
- › Low peak current limit threshold
- › Bulk “voltage good” signal for inrush relay control or PWM IC enabling
- › Integrated digital voltage loop compensation
- › Programmable switching (20-100 kHz)
- › External synchronization (50 ~ 100 kHz)
- › Direct sensing, input brown-out detection with hysteresis

Benefits

- › Enhanced dynamic response
- › Ease of use with few external components
- › External current compensation for greater user flexibility



Application note

| Name | Description |
|---|---|
| EVALPFC-300W-ICE3PCS01G | Programmable FF CCM PFC controller ICE2PCS01 for 300 W 393V PFC evaluation board with 85 ~ 265 V AC universal input |

Evaluation board

| Name | Products | Description |
|------------------------------------|---|---|
| EVALPFC2-ICE2PCS01 | CCM PFC controller, SiC diode, CoolMOS™ | Programmable FF CCM PFC controller ICE2PCS01 for 300 W 393V PFC evaluation board with 85 ~ 265 V AC universal input |

SiC diodes for high-power applications

SiC diodes enable highest efficiency in combination with CCM PFC Controllers in high power LED applications

Features

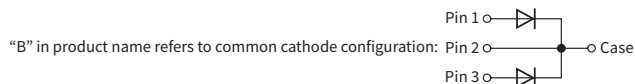
- › No reverse recovery charge
- › Purely capacitive switching
- › High operating temperature (T_j , max 175 °C)

Benefits

- › System efficiency improvement compared to Si diodes
- › Reduced cooling requirements
- › Enabling higher frequency/increased power density
- › Higher system reliability
- › Reduced EMI



| Continuous forward current, I_F [A] | TO-252 (DPAK real 2-leg) | TO-220 (real 2-leg) | TO-247-3 | TO-247-2 | D ² PAK-2 |
|---------------------------------------|--------------------------|---------------------|--------------|--------------|----------------------|
| 2 | IDM02G120C5 | IDH02G120C5 | | | IDK02G120C5 |
| 5 | IDM05G120C5 | IDH05G120C5 | | | IDK05G120C5 |
| 8 | IDM08G120C5 | IDH08G120C5 | | | IDK08G120C5 |
| 10 | IDM10G120C5 | IDH10G120C5 | IDW10G120C5B | IDWD10G120C5 | IDK10G120C5 |
| 15–16 | | IDH16G120C5 | IDW15G120C5B | IDWD15G120C5 | IDK16G120C5 |
| 20 | | IDH20G120C5 | IDW20G120C5B | IDWD20G120C5 | IDK20G120C5 |
| 30 | | | IDW30G120C5B | IDWD30G120C5 | |
| 40 | | | IDW40G120C5B | IDWD40G120C5 | |



Digital flyback controllers

XDPL8105 - multi-mode PFC/flyback controller

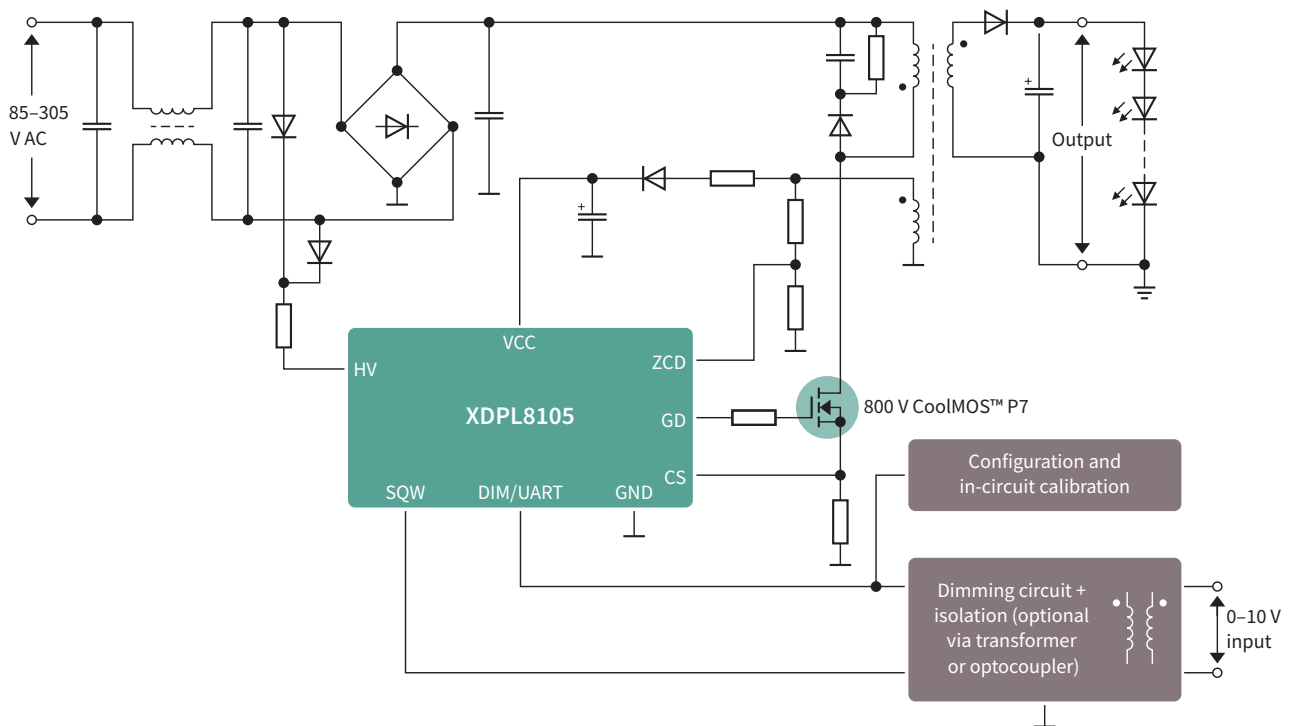
XDPL8105 is a primary-controlled high-performance single-stage PFC/flyback controller with constant current output.

Features

- > Multi-mode operation, quasi-resonant, discontinuous conduction mode (DCM)
- > Active burst mode (ABM)
- > Integrated 600 V start-up cell
- > Configurable parameters
- > Supports fully isolated 0 – 10 V dimming

Benefits

- > Optimal efficiency, power factor and THD can be achieved by most suited mode. In addition, DCM eases compliance with EMI at low load condition by limiting the switching frequency
- > ABM enables low-level analog dimming
- > Integrated start-up cell enables very high efficiency for wide-range input designs combined with fast time-to-light
- > Configurability of parameters like output current, protection modes and dimming curves enables last-minute adjustments, reducing stockkeeping



Application note

| Name | Description |
|--|---|
| AN_1904_PL21_1905_103930 | 40 W demoboard with isolated 0–10 V dimming interface |
| System Simulation & Design Creation Tool | Transformer, BOM and IC parameters |

Evaluation board

| Name | Products | Description | Order number |
|---------------------|-----------------------------|---|--------------|
| REF-XDPL8105-CDM10V | XDPL8105, 800 V CoolMOS™ P7 | Reference board for XDPL8105 with dimming | SP001649474 |

www.infineon.com/xdpl8105

Digital flyback controllers

XDPL8210 - multi-mode PFC/flyback controller for 1% dimming

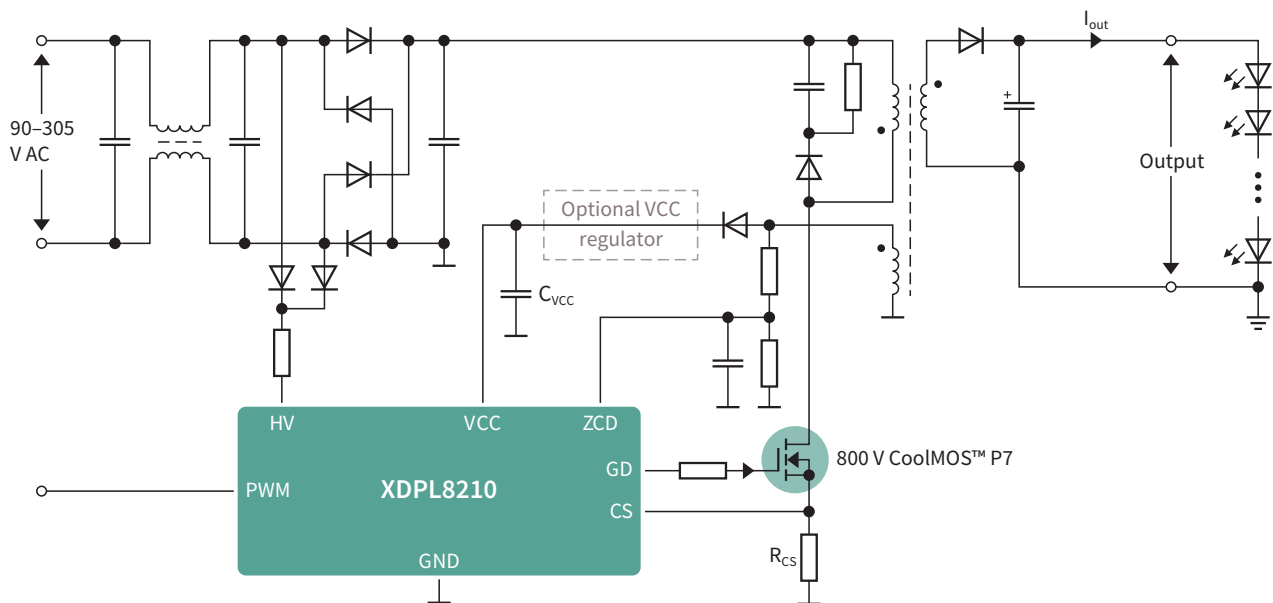
XDPL8210 is a primary-controlled single-stage PFC/flyback controller with constant current output that supports 1% dimming.

Features

- › All features included in [XDPL8105](#)
- › 1% dimming
- › Supports 0-10 V dim-to-off powering the dimmer
- › Limited Power (LP) mode
- › PWM dimming input pin
- › Enables BOM savings for the dimming circuit

Benefits

- › All benefits included in [XDPL8105](#)
- › Well suited for indoor lighting application where 1% dimming is required
- › Cost savings for an additional auxiliary power supply for the 0-10 V dimmer
- › Well suited for outdoor lighting in cold areas since LP mode enables start-up of LEDs even when their forward voltage is above the nominal output voltage



Application note

| Name | Description |
|--|---|
| ER_1902_PL21_1903_042903 | XDPL8210 CDM10VD 35 W reference design with IPN80R900P7 – LED driver with isolated 0 to 10 V dimming and dim-to-off operation |

Evaluation board

| Name | Products | Description | Order number |
|-----------------------------------|-----------------------------|--|--------------|
| REF-XDPL8210-U35W | XDPL8210, 800 V CoolMOS™ P7 | XDPL8210 35 W constant current reference board with 0-10 V dimming interface | SP001886070 |

XDPL8219 – PFC/flyback controller with enhanced total harmonic distortion

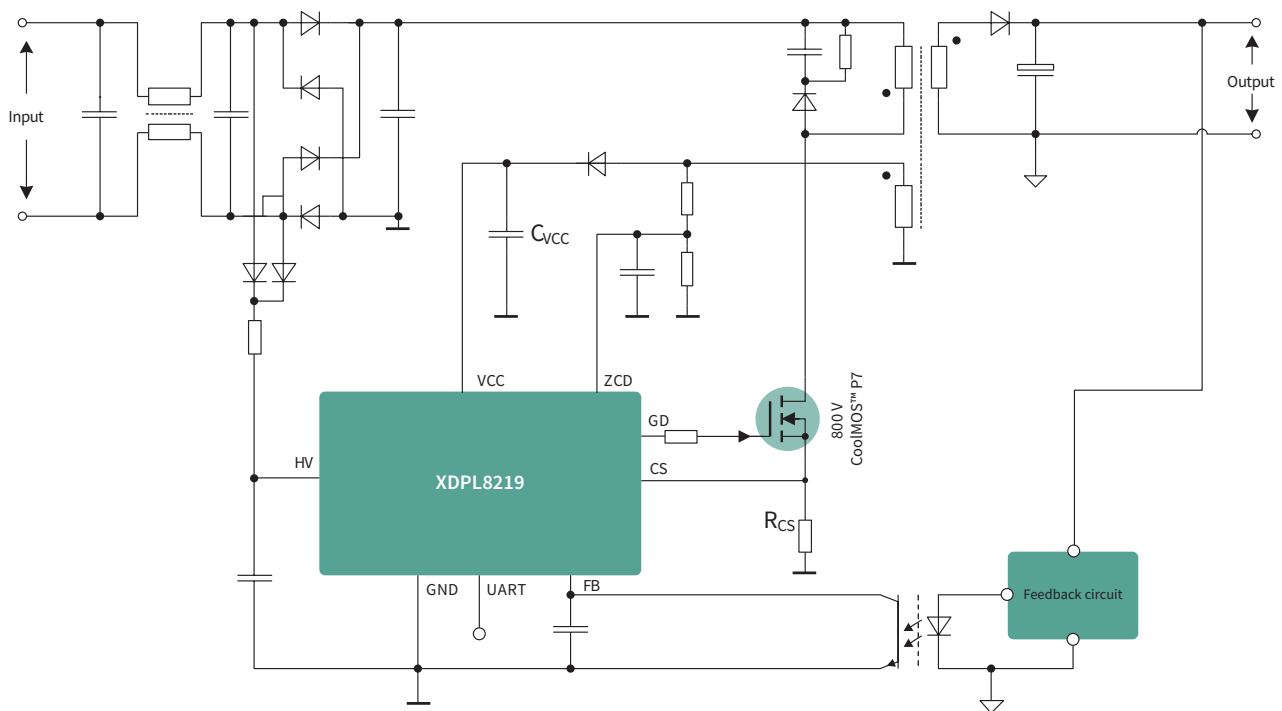
XDPL8219 is a high-performance secondary-side regulated flyback controller with constant voltage output and high power factor with enabling smart lighting applications.

Features

- › Secondary-Side-Regulated (SSR)
Constant Voltage (CV) output
- › Flyback controller with power factor correction
- › Depending on load condition, either quasi-resonant, discontinuous conduction mode or active burst mode (ABM)
- › Integrated 600 V start-up cell

Benefits

- › Supporting wide load range and fast and stable reaction to dynamic load changes
- › $PF > 0.9$ and $THD < 10\%$ across a wide load range (AC input up to $277 V_{rms}$)
- › Optimal efficiency, power factor and THD can be achieved by best-suited mode. In addition, DCM eases compliance with EMI at low-load condition
- › Very low stand-by power < 100 mW can be achieved
- › Integrated start-up cell enables very high efficiency



Application note

| Name | Description |
|--------------------------|---|
| DG_2005_PL21_2006_124819 | XDPL8219 design guide –high power factor flyback converter with constant voltage output |

Evaluation board

| Name | Products | Description | Order number |
|------------------|--------------------------------|---|--------------|
| REF-XDPL8219U40W | XDPL8219, 800 V CoolMOS™ P7 | Efficient 40 W reference circuit design for XDPL8219 with high power factor and low THD. It is built for universal input voltage 120–277 V AC or 127–432 V DC | SP002990946 |

Digital flyback controllers

XDPL8221 – two-stage intelligent & configurable PFC plus flyback controller

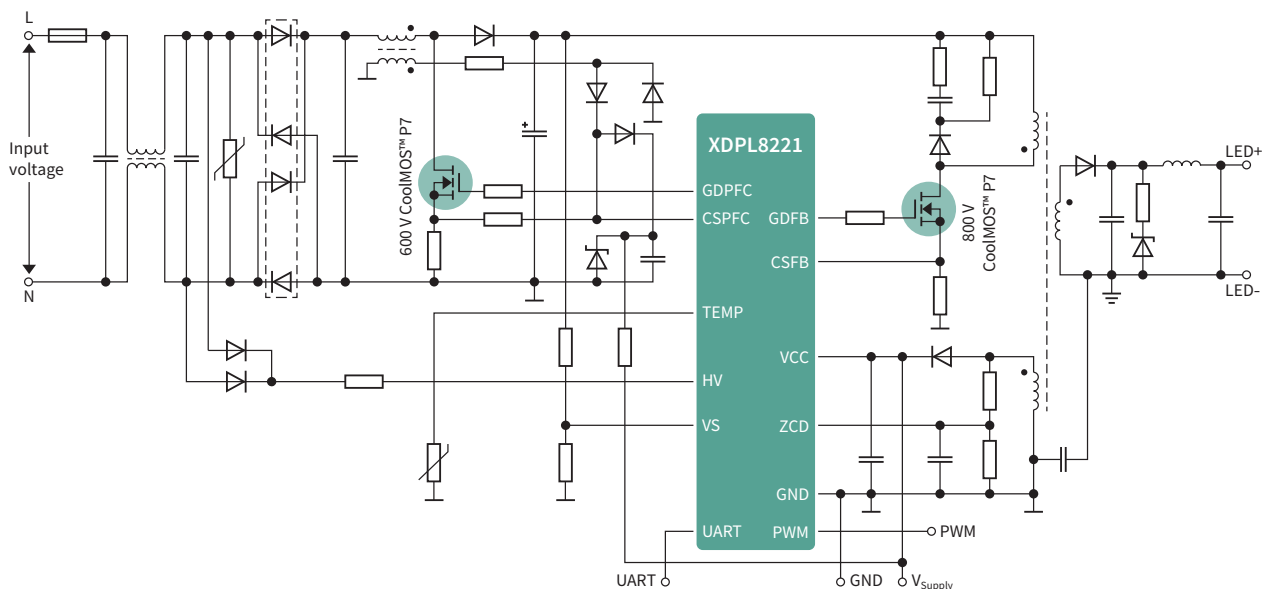
XDPL8221 is a digital quasi-resonant PFC + flyback controller with communication including dimming and reading out of data like fault condition and power monitoring via UART.

Features

- > Two-stage Power Factor Correction (PFC) and flyback controller
- > Primary-Side-Regulated (PSR) multi-mode control: Constant Current (CC), Constant Voltage (CV) and Limited Power (LP)
- > Pulse Width Modulation (PWM) dimming control
- > Total harmonic distortion optimization (QR compensation)

Benefits

- > Enables the design of high performance advanced LED driver for connected lighting with small effort
- > Maximize flexibility for global platform designs
- > Reduce product variants and inventory management complexity
- > 1% dimming and dim-to-off
- > Further improved THD < 15%



Application note

| Name | Description |
|--|--|
| DG_1711_PL21_1712_143020 | XDPL8221 digital PFC + flyback controller IC – a high-performance dual-stage digital PFC + flyback AC-DC converter using the XDPL8221 controller for LED lighting applications |
| AN_1901_PL21_1902_043849 | XDPL8221 limited power mode – the Limited Power (LP) mode of XDPL8221, and the dimming operation in LP mode |
| AN_1901_PL21_1902_071326 | XDPL8221 CSV file parameter description for 50 W reference design – the parameters defined in the CSV file for the XDPL8221 digital controller |

Evaluation board

| Name | Products | Description | Order number |
|------------------------------------|---|--|--------------|
| REF-XDPL8221-U50W | XDPL8221, 700 V and 800 V CoolMOS™ P7 | Efficient and flicker-free reference circuit design for XDPL8221 with high power factor and low THD. It is built for universal input voltage (100–277 V AC) and for 50 W output power | SP003127452 |
| REF-XDPL8221-U100W | XDPL8221, 600 V CoolMOS™ C6 and 800 V CoolMOS™ P7 | Efficient and flicker-free reference circuit design for XDPL8221 with high power factor and low THD. It is built for universal input voltage (100–277 V AC) and for 100 W output power | SP001710982 |

www.infineon.com/xdpl8221

PFC plus half-bridge resonant controllers

ICL5102

ICL5102 is a PFC plus half-bridge resonant controller that has excellent PFC and THD performance combined with high-frequency operation in order to minimize the bill of materials.

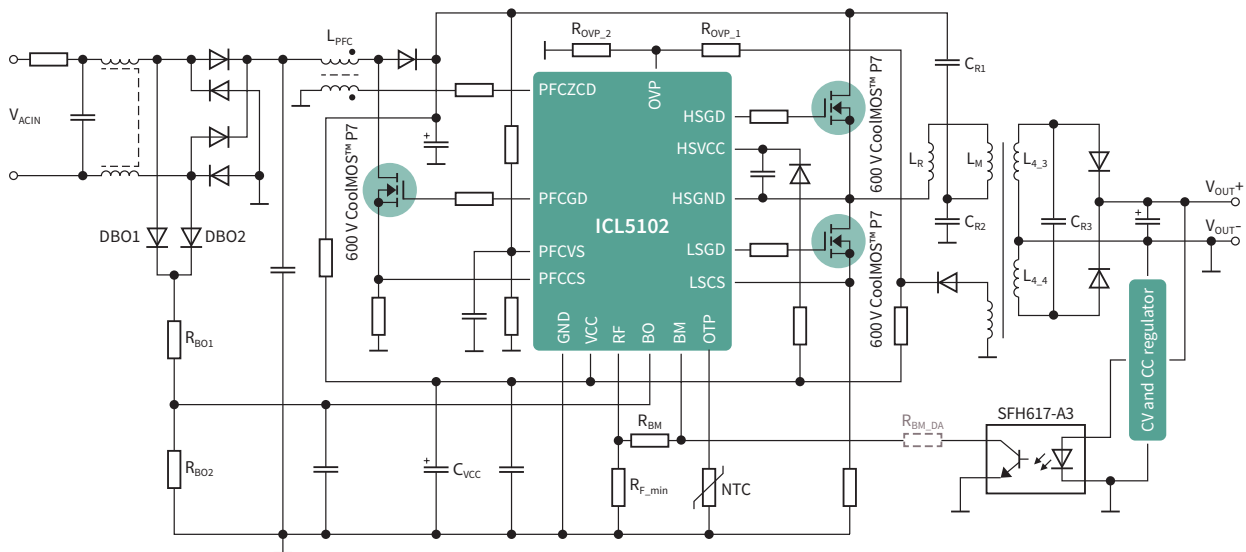
Features

- › Integrated two-stage combination controller
- › Supports universal AC nominal input voltage (90 to 305 V_{RMS})
- › Excellent system efficiency of up to 94%
- › THD optimization ensures low harmonic distortion (Total Harmonic Distortion (THD) < 5%) down to 30% nominal load
- › Maximum 500 kHz HB switching frequency and soft-start frequency up to 1.3 MHz

Benefits

- › Simplify system design for PFC plus LLC/LCC topologies with less component counts and optimized bill of materials (BOM) and form factor
- › Address global platforms with one IC
- › Strong efficiency, PF and THD performance packaged in a combo-IC
- › Integrated coreless transformer offers robustness against dV/dt, negative voltage
- › Minimize form factors due to high switching frequency capability

ICL5102 – typical application with PFC + LCC topology



Application note

| Name | Description |
|---|--|
| Engineering report for 52 W with IC5102 | 52 W low-cost two-stage LED driver based on ICL5102 |
| Engineering report for 130 W with ICL5102 | 130 W dimmable constant current LED driver using PFC and LLC |
| 320 W multichannel high-power LED driver | Engineering Report using ICL5102 + ID8150 |

Evaluation board

| Name | Products | Description | Order number |
|---------------------------------------|---|---|--------------|
| REF-ICL5102-U52W-CC | ICL5102, 600 V CoolMOS™ P7 | Low-cost PFC/LCC evaluation board 52 W LED driver | SP005419724 |
| REF-ICL5102-U130W-CC | ICL5102, 600 V CoolMOS™ CE, BSS126I | PFC/LLC evaluation board 130 W LED driver | SP001667160 |
| REF_LLC_BUCK_4CH_320W | ICL5102, ILD8150E, 600 V CoolMOS™ P7, BSS126I | Scalable 320 W multichannel high-power LED driver (using ICL5102 and ILD8150) | SP005424809 |

ICL5102HV

ICL5102HV is a PFC plus resonant combo controller that has excellent PFC and THD performance combined with high-frequency operation in order to minimize the bill of materials.

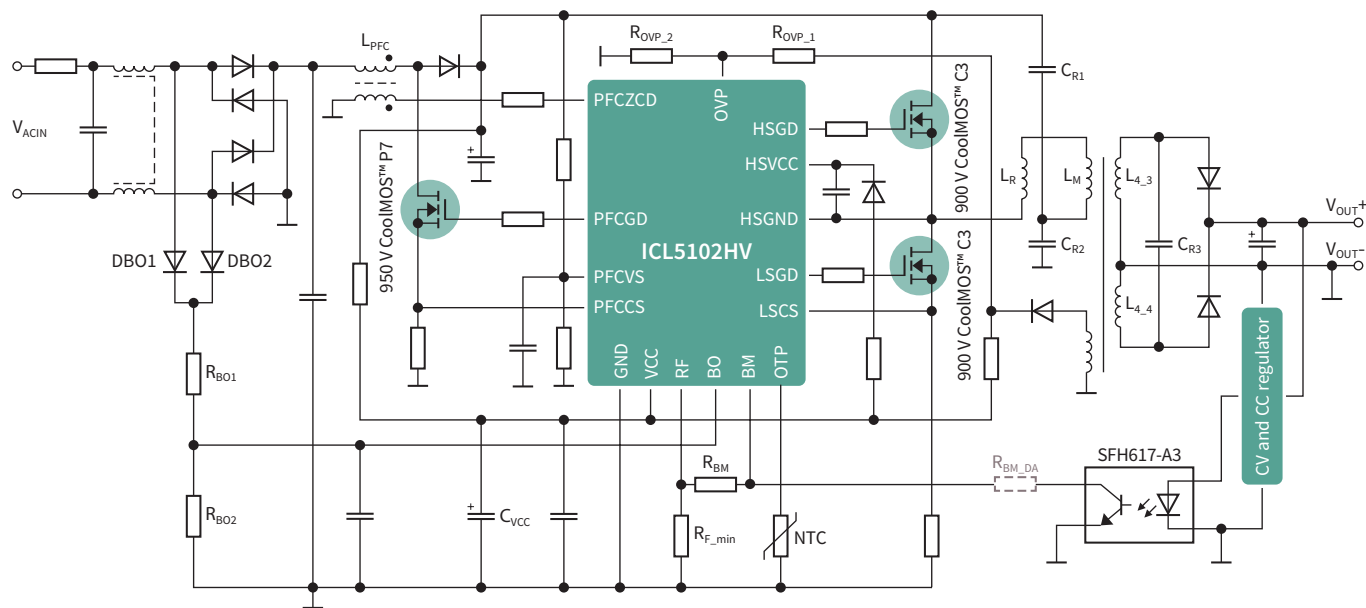
Features

- > All features mentioned in ICL5102
- > High voltage (HV) version supports (90 to 480 V_{RMS})

Benefits

- > All benefits mentioned in ICL5102
- > ICL5102HV can be used in street lighting, horticultural lighting and industrial lighting where 480 V AC is used as input voltage

ICL5102HV – typical application with PFC + LLC topology



Application note

| Name | Description |
|--|---|
| Reference design for 150W with ICL5102HV | 150 W LCC LED driver demonstration board with ICL5102HV |

Evaluation board

| Name | Products | Description | Order number |
|-------------------------------------|--|---|--------------|
| REF-ICL5102HV-U150W | ICL5102HV, 900 V CoolMOS™ C3* and 950 V CoolMOS™ P7, IPD530N15N3 G | ICL5102HV 150 W LED driver board with V _{in} up to 480 V | SP005346355 |

DC-DC buck converters and smart linear controller

ILD8150 – 80 V DC-DC buck LED driver IC

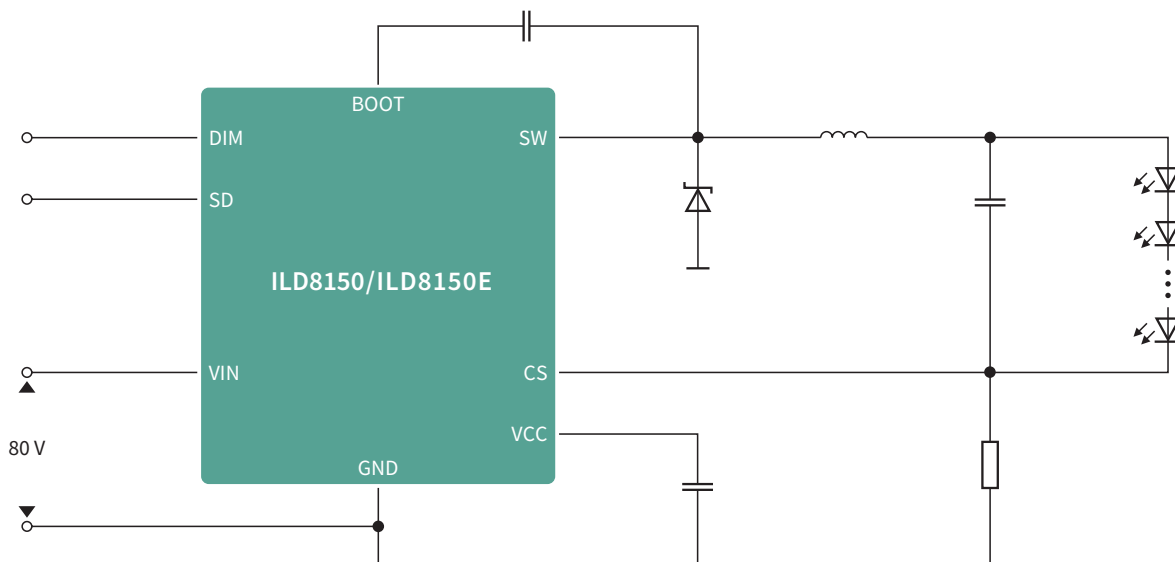
ILD8150 is a DC-DC LED driver IC with 80 V breakdown voltage with an integrated MOSFET.

Features

- > Input voltage up to 80 V
- > Integrated MOSFET for up to 1.5 A output current
- > Analog dimming down to 12.5% and PWM dimming from 12.5% to 0.5%
- > Current precision $\pm 3\%$
- > Soft-start, UVLO, current limitation, low-power shutdown

Benefits

- > High safety margin for voltage transients and spikes
- > Optimal BOM due to integrated MOSFET
- > Deep dimming performance without flicker and noise via innovative one-pin hybrid method
- > High current precision leads to high light quality
- > Fast, stable and efficient regulation



Application note

| Name | Description |
|---|---|
| REF_ILD8150_DC_1.5A high frequency operation | High-frequency operation with ILD8150 |
| Reference board REF_ILD8150_DC_1.5A LED driver IC ILD8150 80V | Operation, design guide and performance |
| 320 W multichannel high-power LED driver | Engineering Report using ICL5102 + ID8150 |

Evaluation board

| Name | Products | Description | Order number |
|---|---|---|--------------|
| REF_ILD8150_DC_1.5A | ILD8150E | Reference design board 1.5 A with coil inductor | SP002798058 |
| REF_ILD8150_DC_1.5A_SMD | ILD8150E | Reference design board 1 A with SMD inductor | SP005351260 |
| REF_LLC_BUCK_4CH_320W | ICL5102, ILD8150E, 600 V CoolMOS™ P7, BSS126I | Scalable 320 W multichannel high-power LED driver (using ICL5102 and ILD8150) | SP005424809 |
| REF_TW_ILD8150E_60V_1A* | ILD8150E, IFX1117ME V33 | Reference board for professional tunable white and multichannel applications | SP005433043 |

*Coming soon

www.infineon.com/ild8150
www.infineon.com/ild8150e

BCR601/BCR602 - 60 V linear LED controller ICs for Tunable White plus active headroom control and flexible dimming

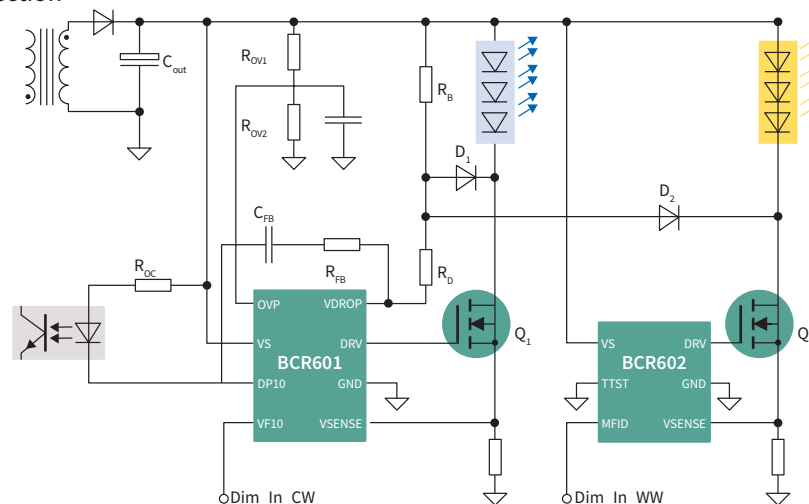
BCR601 is a linear controller that enables high efficiency at low cost as a second-stage LED controller to replace DC-DC buck converters especially in low- to mid-power LED drivers. The cost-effectiveness especially in multichannel designs can be further enhanced by using BCR602 in a tiny SOT23-6 package regulating the LED current for flicker-free deep dimming performance.

Features

- › BCR601 as the master controller controls voltage overhead of both channels and current of one channel
- › BCR602 as slave controller regulates current of second channel
- › Input voltage up to 60 V
- › Can be operated with either BJT or N-channel MOSFET
- › Analog dimming down to 3%, PWM dimming down to 1% (BCR602)
- › Current precision $\pm 3\%$
- › OTP, OVP, hot-plug protection

Benefits

- › Linear regulators give considerable cost advantage over buck topology
- › Cost advantage increases with additional channels
- › Efficiency can be on par with buck (depends on output ripple of first stage)
- › Highest light quality, zero ripple
- › Deep, full analog dimming
- › Easy to extend to additional outputs (e.g. RGBW)



Application note

| Name | Description |
|--|--|
| Tunable white LED drivers with BCR601 and BCR602* | Application note describing how to design cost-effective, highly-efficient LED drivers of highest light quality |
| Design guide lighting ICs linear LED controller 60V BCR601 | Design guide for a linear LED controller IC with feedback loop to primary side |
| BCR602 linear LED controller for dimmable applications | Design guide for a secondary side current regulated 60 V LED light engine |
| BRC602 engineering report | Engineering report demoboard DEMO_BCR602_60V_ICTRL – engineering report for a 60 V, 200 mA linear LED controller demonstration board |

Evaluation board

| Name | Products | Description | Order number |
|---|--|--|--------------|
| REF_TW_BCR601_55V_0.5A* | BCR601 , BCR602 | Demoboard for design evaluation of Tunable White applications with cost-effective linear LED controllers | SP005433044 |
| DEMO_BCR601_60V_IVCTRL | BCR601 , BSP716N | This board is intended for the design evaluation of very cost-efficient, highly reliable, power-efficient LED drivers with linear LED driver IC BCR601 | SP002798056 |
| DEMO_BCR602_60V_ICTRL | BCR602 , BSP716N | Demoboard for design evaluation of cost-efficient, highly reliable, dimmable LED engines/modules, 60 V, 200 mA | SP002798054 |

www.infineon.com/bcr601
www.infineon.com/bcr602

*Coming soon

DC-DC buck converters and smart linear controller

BCR601 – 60 V linear LED controller with active headroom control

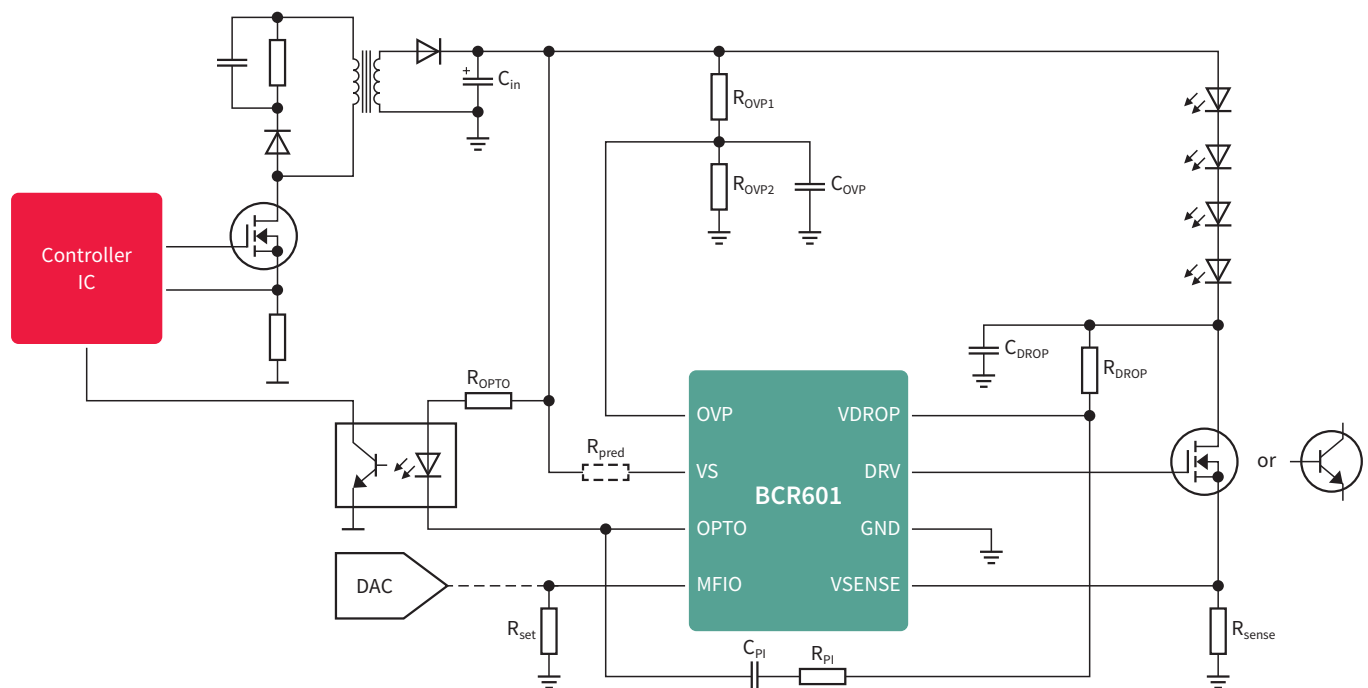
BCR601 is a linear controller that enables high efficiency at low cost as a second-stage LED controller to replace DC-DC buck converters especially in low- to mid-power LED drivers.

Features

- > Input voltage up to 60 V
- > Voltage feedback to primary side
- > Can be operated with either BJT or N-channel MOSFET
- > Analog dimming down to 3%
- > Current precision $\pm 3\%$
- > OTP, OVP, hot-plug protection

Benefits

- > Well suited for LED drivers with SELV
- > Reducing voltage overhead and power loss in transistor for better system efficiency
- > Cost and performance can be optimized by selection of BJT or N-channel MOSFET
- > High light quality without flicker
- > Safe operation



Application note

| Name | Description |
|--|---|
| Design guide lighting ICs linear LED controller 60V BCR601 | Design guide for a linear controller IC with feedback loop to primary side |
| Engineering report demoboard DEMO_BCR601_60V_IVCTRL | Engineering report for 60 V, 500 mA linear LED controller demonstration board |

Evaluation board

| Name | Products | Description | Order number |
|--|-----------------|--|--------------|
| DEMO_BCR601_60V_IVCTRL | BCR601, BSP716N | This board is intended for the design evaluation of very cost-efficient, highly reliable, power-efficient LED drivers with linear LED driver IC BCR601 | SP002798056 |

IRS2982 – universal controller for high voltage buck

IRS2982 is a multi-mode LED driver IC that can be used for the flyback stage mainly for constant voltage output as well as for the buck stage of non-isolated PFC boost followed by a high-voltage buck.

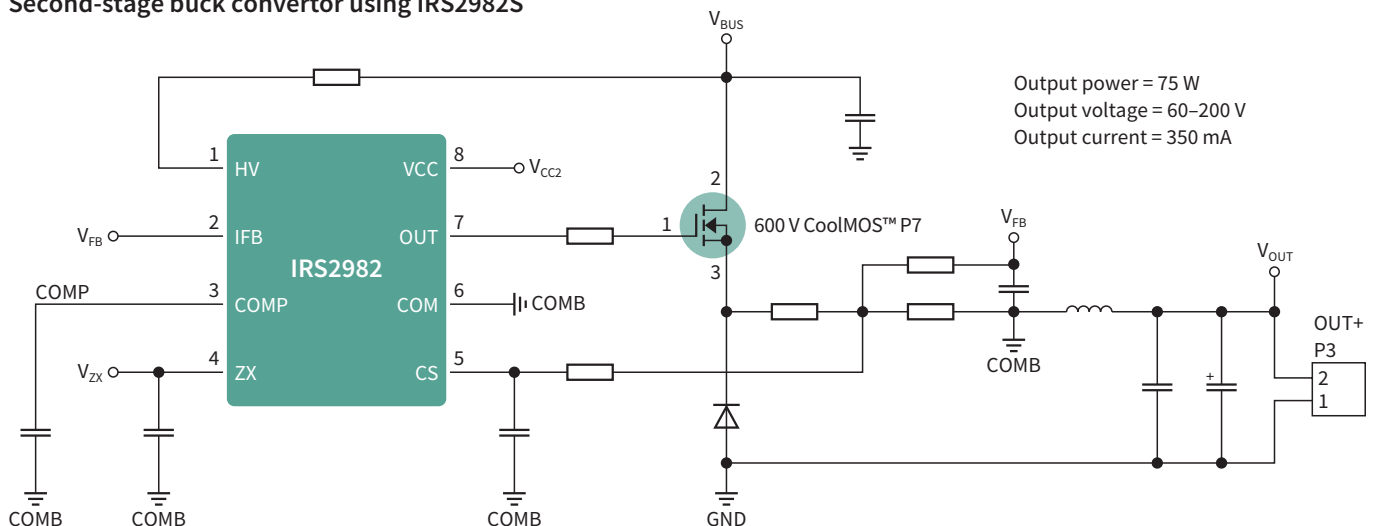
Features

- › Integrated 600 V high-voltage start-up cell
- › Multi-mode operation, DCM operation at light loads (minimum off-time)
- › Overvoltage protection
- › Burst-mode operation at very light loads

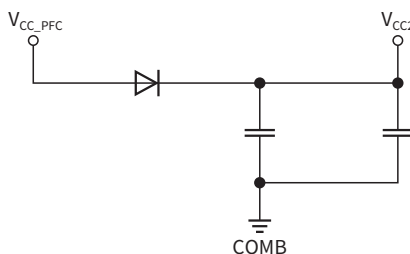
Benefits

- › Integrated start-up cell enables very high efficiency for wide-range input designs combined with fast time-to-light
- › Optimal efficiency, power factor and THD can be achieved by most suited mode. In addition, DCM eases compliance with EMI at low load condition by limiting the switching frequency

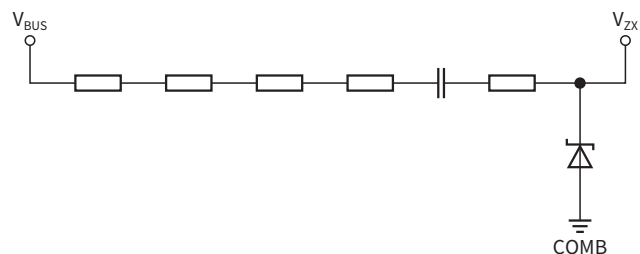
Second-stage buck convertor using IRS2982S



Supply for IRS2982 IC and optocoupler



ZX detection



Application note

| Name | Description |
|--|--|
| AN_1808_PL16_1809_234920 | Non-isolated two-stage boost PFC plus current-regulated buck LED driver IRXLED10 |

Evaluation board

| Name | Products |
|-----------|---|
| IRXLED10* | IRS2505L, IRS2982S, 600 V CoolMOS™ P7 (IPP60R360P7) |

CoolMOS™ – high-voltage MOSFETs

Trusted leader in high-voltage MOSFETs

CoolMOS™ is an extremely well-established technology in LED driver applications. The main reasons why LED driver customers choose CoolMOS™ include:

- > Proven quality and reliability
- > High efficiency
- > High-volume supply capability
- > Continuous portfolio expansion

For new designs, many LED driver makers are opting for the newest generation of CoolMOS™, namely the P7 family. Highlights of this latest generation include the best price/performance ratio and highly granular $R_{DS(on)}$ classes combined with diverse packages.

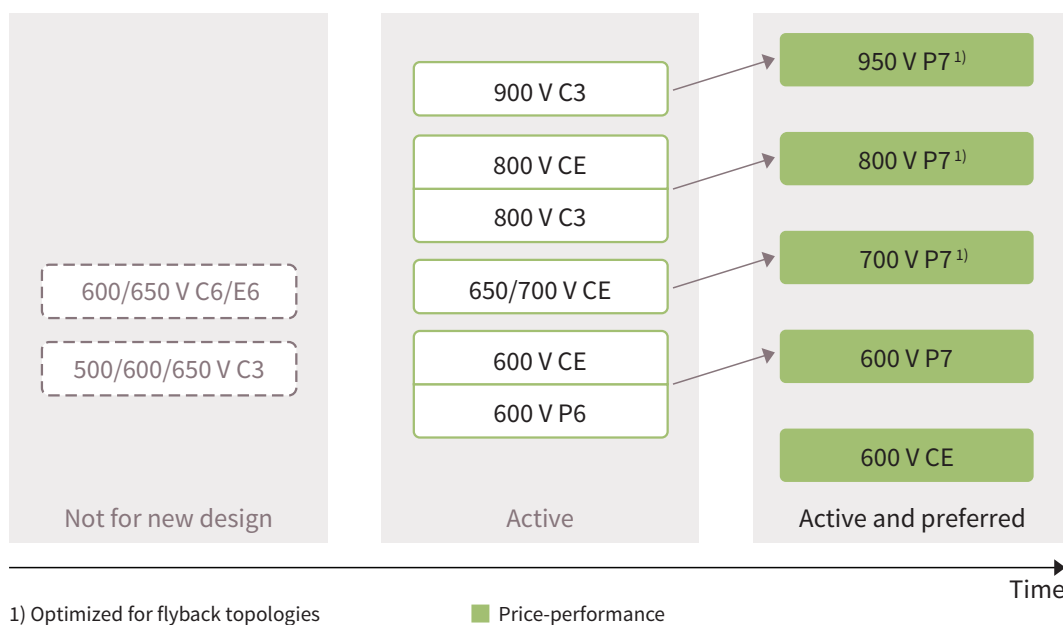
The SOT223 package, footprint-compatible with standard DPAK packages, has been a great success story in the lighting industry.

Another product family that has seen very high traction among lighting customers is the 950 V P7 family. Optimized for flyback topologies, where breakdown voltages above 800 V are required, 950 V P7 devices are emerging as the solution of choice among our customers.

Our 600 V P7 portfolio is designed for high efficiency across all higher-power applications with an $R_{DS(on)}$ of up to 600 mΩ. For lower-power applications that require 600 V with an $R_{DS(on)}$ of > 600 mΩ, we recommend either 600 V CE or 700 P7 devices. 700 V P7 is well suited to the PFC and fly-back stage. 600 V CE is a universal solution that can be used in all low-power topologies with an $R_{DS(on)}$ of > 600 Ω.

Aware that security of supply is a key success factor for our customers, we usually manufacture our products at multiple factories. This aspect might be considered for designs where superior performance of CoolMOS™ can help to differentiate your products from competitors.

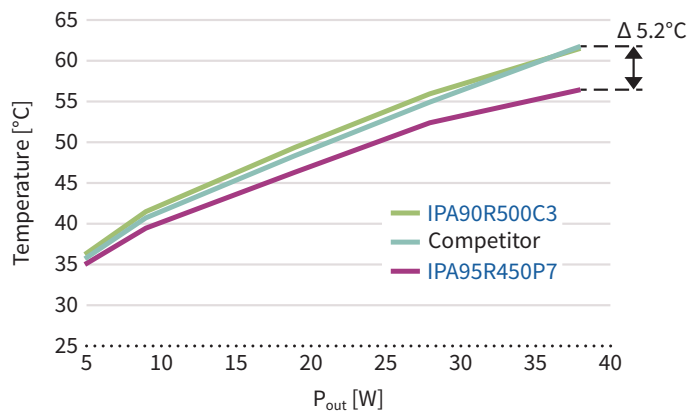
CoolMOS™ superjunction MOSFETs for lighting applications



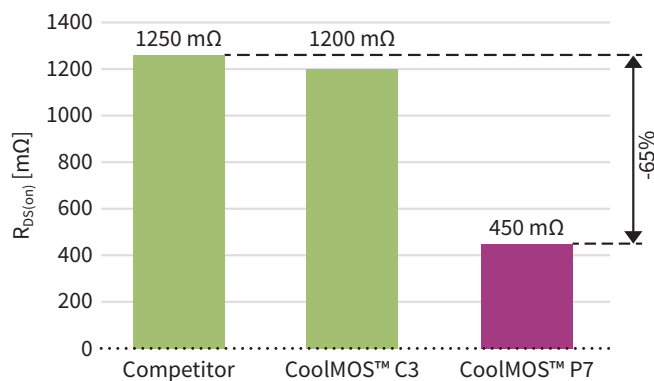
950 V CoolMOS™ P7

Designed to meet growing consumer needs in the high-voltage MOSFET arena, the latest 950 V CoolMOS™ P7 technology focuses on lighting.

Temperature @ 90 V AC



- > The new **950 V CoolMOS™ P7 series** delivers best-in-class performance in terms of efficiency, thermal behavior and ease of use. Like all other P7 family members, the 950 V CoolMOS™ P7 series comes with an integrated Zener diode for ESD protection. This integrated diode considerably improves ESD robustness, thus reducing ESD-related yield loss and offering exceptional ease of use.
- > Plug-and-play at 90 V AC in a 40 W reference design, featuring the snubberless concept, demonstrates excellent efficiency gains of up to 0.2 percent, plus lower MOSFET temperatures with drops of up to 5.2°C compared with similar competitor technology.
- > In the DPAK package, the 950 V CoolMOS™ P7 also offers best-in class $R_{DS(on)}$. This SMD device has an $R_{DS(on)}$ of 450 mΩ – more than 60 percent lower than that of the closest competitor.



Best-in-class DPAK $R_{DS(on)}$

Customer benefits

- > Option to change from leaded to SMD packages
- > High power density
- > Lower BOM
- > Lower production cost

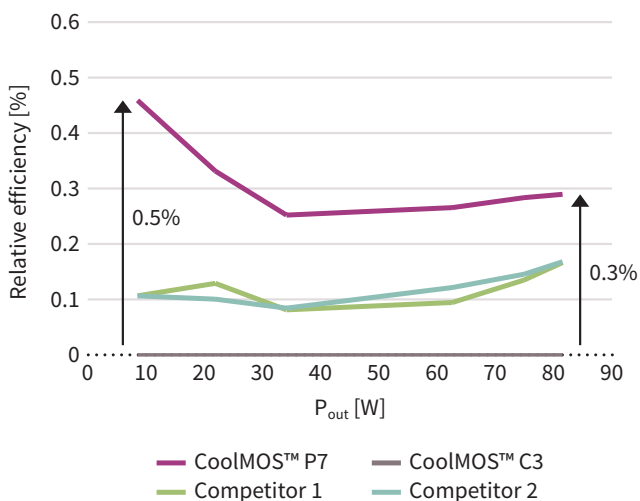
CoolMOS™ – high-voltage MOSFETs

800 V CoolMOS™ P7

With the 800 V CoolMOS™ P7 series, we have set a benchmark in 800 V superjunction technologies, combining best-in-class performance with remarkable ease of use. This new product family is a perfect fit for flyback-based LED driver applications. It is also suitable for PFC stages, offering a price/performance ratio to meet all market needs.

This technology optimizes key parameters to deliver best-in-class efficiency and thermal performance. As demonstrated through comparisons with a standard, commercially available 80 W LED driver, it reduces switching losses (E_{oss}) and output capacitance (C_{oss}) by more than 45 percent while significantly improving the input capacitance (C_{iss}) and gate charge (Q_G). All of which leads to a 0.5 percent increase in efficiency at light load, which helps to reduce standby power in the end application. At full load, the observed improvement is up to 0.3 percent for efficiency coupled with a 6°C drop in device temperature.

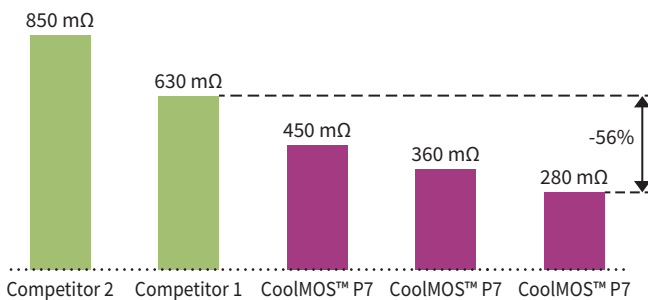
Plug and play in an 80 W LED driver from market



As mentioned in the introduction, the choice of MOSFET will influence system efficiency. Due to benchmark switching losses, the 800 V CoolMOS™ P7 series can achieve very high levels of system efficiency. This efficiency gain relative to market-standard products widens under dimming conditions.

Compared with the competition, the 800 V CoolMOS™ P7 technology allows designers to integrate much lower $R_{DS(on)}$ values into small and cost-effective packages such as DPAK. The same applies to even smaller and low-cost packages like SOT223. The 800 V P7 in a SOT223 package is footprint-compatible with the DPAK.

Overview of lowest DPAK $R_{DS(on)}$ for 800 V superjunction MOSFET



CoolMOS™ P7 sets a new benchmark in best-in-class DPAK $R_{DS(on)}$

Customer benefits

- > High power density
- > Lower BOM
- > Lower production cost

The complete P7 platform has been developed with an integrated Zener diode to protect against electrostatic discharge (ESD). This increases the overall device ruggedness up to Human Body Model (HBM) class 2.

700 V CoolMOS™ P7

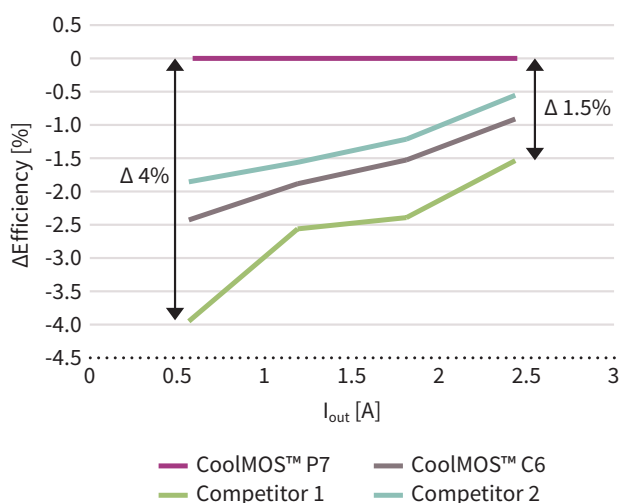
Features

- › High-performance technology
 - Low switching losses (E_{oss})
 - Highly efficient
 - Excellent thermal behavior
- › Support for high-speed switching
- › Integrated protection with Zener diode
- › Optimized $V_{GS(th)}$ (3 V) with very narrow tolerance (± 0.5 V)
- › Highly granular portfolio

There are two main use cases for 700 V LED drivers. The main one is as a PFC stage for outdoor lighting, where 600 V might be borderline. For outdoor lighting, some LED driver designs have been deploying 650 V MOSFETs due to higher surge requirements relative to indoor lighting schemes. 700 V CoolMOS™ P7 is a highly cost-effective alternative to the 650 V MOSFETs with the added bonus of extra buffer.

Relative efficiency @ 230 V_{AC};

$T_{amb} = 25^{\circ}\text{C}$



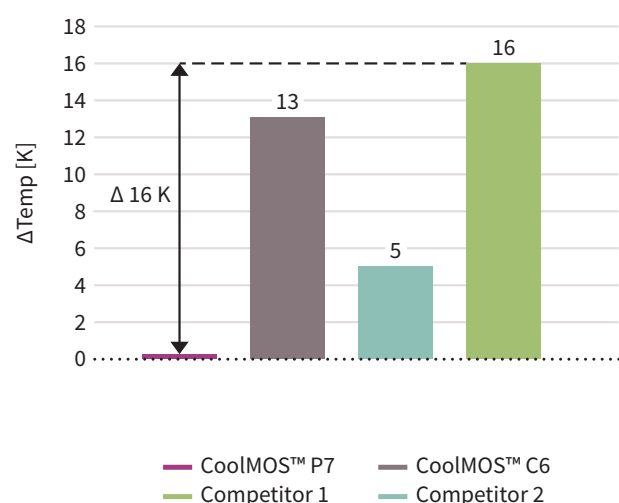
Benefits

- › Cost-competitive technology
- › Further efficiency gain at higher switching speeds
- › Smaller magnetic size with lower BOM
- › High ESD ruggedness up to HBM class 2
- › Easy to drive and design-in
- › Enabler for smaller form factors and high power density designs
- › Best-fit product for demanding applications

The second use case is as a single-stage flyback design for narrow-range systems with 120 V and 230 V input voltages. 800 V MOSFETs will probably remain the devices of choice for single-stage flyback designs. Rising cost pressures for some narrow-range designs may position 700 V as a cost-effective alternative to 800 V MOSFETs.

Relative temperature @ 230 V_{AC};

$T_{amb} = 25^{\circ}\text{C}$, 30 min burn-in



CoolMOS™ – high-voltage MOSFETs

600 V CoolMOS™ P7

The 600 V CoolMOS™ P7 can be used for very different stages within LED drivers.

- > PFC stage
- > Half-bridge stage
- > Buck stage

It offers the highest efficiency and improved power density due to significant reduction in gate charge (Q_G) and switching losses (E_{OSS}) levels, coupled with optimized $R_{DS(on)}$.

The carefully selected integrated gate resistors enable very low ringing tendency. The body diode is exceedingly robust

Features

- > Suitable for hard and soft switching (PFC and LLC) due to outstanding commutation ruggedness
- > Optimized balance between efficiency and ease of use
- > Significant reduction of switching and conduction losses leading to low MOSFET temperature
- > Excellent ESD robustness > 2 kV (HBM) for all products
- > Better $R_{DS(on)}$ /package combinations than the competition
- > Large portfolio with granular $R_{DS(on)}$ values, qualified for a variety of industrial and consumer applications

against hard commutation, making it suited to hard- and soft-switching topologies such as LLC.

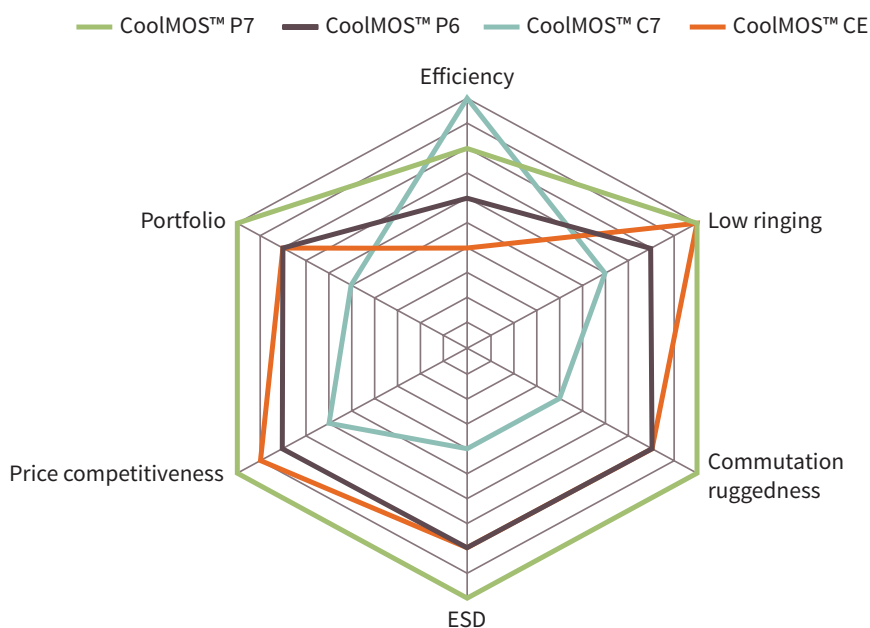
In addition, excellent ESD capability helps to improve the manufacturing quality.

The 600 V CoolMOS™ P7 family offers a wide range of $R_{DS(on)}$ /package combinations, including THD and SMD devices, with $R_{DS(on)}$ scaling from 24 to 600 mΩ. This device offers the most competitive price/ performance ratio of all 600 V CoolMOS™ offerings.

Above 600 mΩ, a 600 V CoolMOS™ CE is recommended.

Benefits

- > Ease of use and fast design-in thanks to low ringing tendency and suitability for PFC and PWM stages
- > Improved efficiency and simplified thermal management due to low switching and conduction losses
- > Higher manufacturing quality due to > 2 kV ESD protection
- > Increased power density by decreasing device footprint
- > Suitable for a wide variety of applications and power ranges



OptiMOS™ 5 – medium-voltage MOSFETs

OptiMOS™ 5 150 V for synchronous rectification

The wide OptiMOS™ portfolio ranging from 100 V to 250 V enables the highest efficiency levels in synchronous rectification. OptiMOS™ consistently sets the benchmark for key design success factors including $R_{DS(on)}$, leading to reduced power losses and improved overall efficiency.

Features

- > Ultralow reverse recovery charge
- > Suitable for low-voltage drives
- > $R_{DS(on)}$ up to 25 percent lower than next-best alternative in SuperSO8
- > Q_{rr} without compromising FOM_{gd} and FOM_{OSS}

Benefits

- > Increased commutation ruggedness
- > Significant drop in design effort
- > Optimized system efficiency

OptiMOS™ 150 V normal level

| $R_{DS(on)}$ max @ $V_{GS} = 10$ V [mΩ] | TO252 (DPAK) | SuperSO8 |
|--|--------------------------------------|---------------------------------------|
| 16–30 | IPD200N15N3 G $R_{DS(on)} = 20.0$ mΩ | BSC190N15NS3 G $R_{DS(on)} = 19.0$ mΩ |
| 30–60 | IPD530N15N3 G $R_{DS(on)} = 53.0$ mΩ | BSC360N15NS3 G $R_{DS(on)} = 36.0$ mΩ |
| | | BSC520N15NS3 G $R_{DS(on)} = 52.0$ mΩ |

| $R_{DS(on)}$ max @ $V_{GS} = 10$ V [mΩ] | TO-263 D ² PAK | TO-263 D ² PAK 7pin | TO-262 I ² PAK | TO-220 | SuperSO8 PQFN 5 x 6 | PQFN 3.3 x 3.3 |
|--|--------------------------------------|--------------------------------------|--------------------------------------|--------------------------------------|--|--|
| 4.0–5.1 | IPB048N15N5 $R_{DS(on)} = 4.8$ mΩ | IPB044N15N5 $R_{DS(on)} = 4.4$ mΩ | IPI051N15N5 $R_{DS(on)} = 5.1$ mΩ | IPP051N15N5 $R_{DS(on)} = 5.1$ mΩ | | |
| 5.2–11.0 | IPB073N15N5 $R_{DS(on)} = 7.3$ mΩ | IPB060N15N5 $R_{DS(on)} = 6.0$ mΩ | IPI076N15N5 $R_{DS(on)} = 7.6$ mΩ | IPP076N15N5 $R_{DS(on)} = 7.6$ mΩ | BSC093N15NS5 $R_{DS(on)} = 9.3$ mΩ | |
| | | | | | BSC110N15NS5 $R_{DS(on)} = 11.0$ mΩ | |
| > 11.0 | | | | | BSC160N15NS5 $R_{DS(on)} = 16.0$ mΩ | BSZ300N15NS5 $R_{DS(on)} = 30.0$ mΩ |

NFC IC for configuration

NLM0010/NLM0011

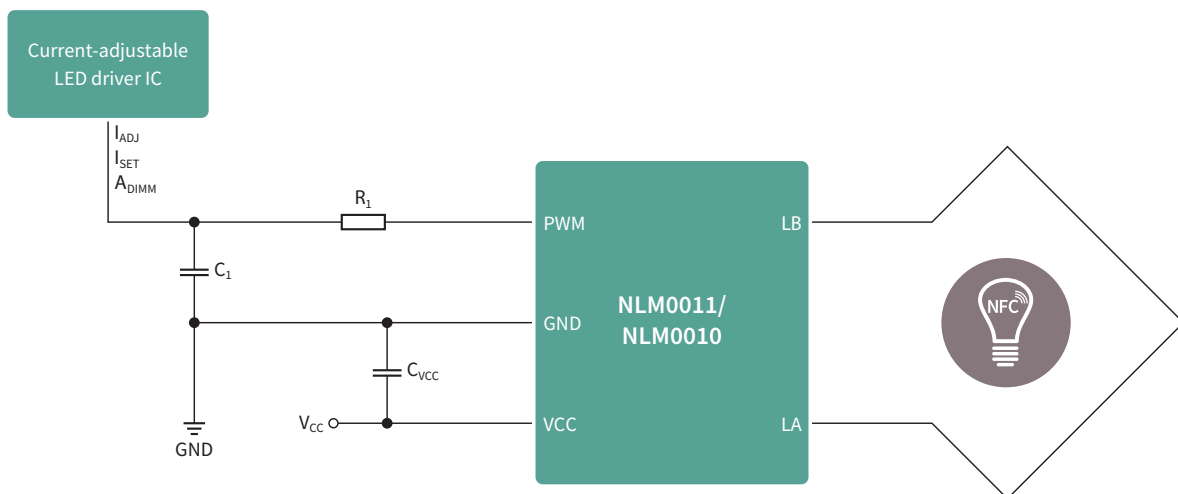
Infiniteon's **NLM0011** is a dual-mode NFC wireless configuration IC with CLO and Pulse Width Modulation (PWM) output, primarily designed for LED applications to enable NFC programming. In addition, advanced features such as the Constant Lumen Output (CLO) as well as the on/off counting are integrated, with no need for an additional microcontroller. The **NLM0010** is a light version of the **NLM0011** without CLO function.

Features

- › Configurable Pulse Width Modulation (PWM) output
- › NFC contactless interface compliant with ISO/IEC 18000-3 mode 1 (ISO/IEC 15963)
- › Constant Lumen Output (CLO) with 8 configurable points for **NLM0011**
- › Integrated operation-time counter (OTC) and on/off counter
- › Non-volatile memory (NVM) including UID

Benefits

- › Fast and cost-effective implementation of NFC programming and CLO without the need for an additional microcontroller
- › Compatible with most analog LED driver designs using “plug-in resistor” method
- › Stable PWM output with fixed 2.8 V amplitude and $\pm 0.1\%$ duty cycle accuracy
- › Internal voltage regulator (LDO) to avoid influence of unstable external supply voltage



Application note

| Name | Description |
|----------------|--|
| NLM0011 | Dual-mode NFC configuration IC with PWM output and CLO function |
| NLM0010 | Dual-mode NFC configuration IC with PWM output, without CLO function |

Evaluation board

| Name | Products | Description | Order number |
|------------------------|--|---|--------------|
| EVAL_NLM0011_DC | NLM0011, IFX20002MBV33, BCM846SH6327XTSA1 | NLM0011 evaluation kit - LED power supply with current configuration using NFC-PWM IC | SP005298736 |

0–10 V dimming interface IC

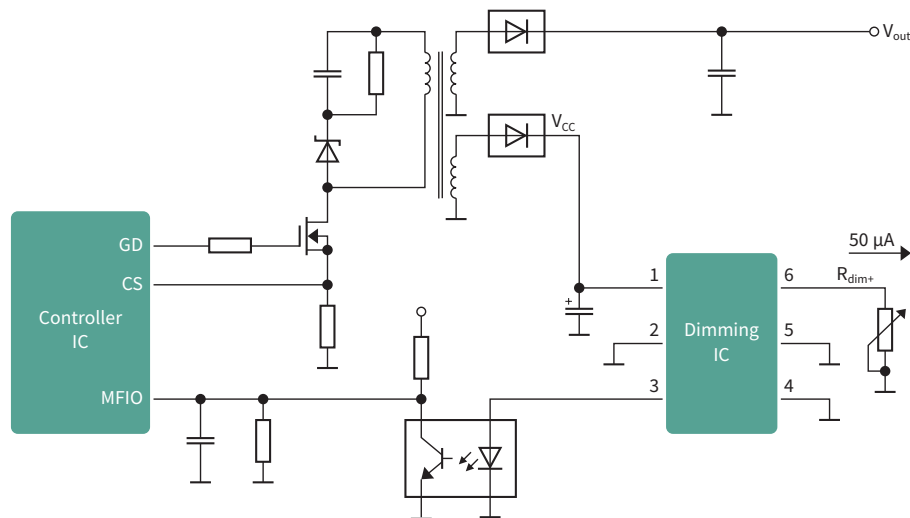
CDM10V – integrated analog-to-PWM converter for 0–10 V dimming

Features

- › Simplest 0–10 V dimming IC with default settings
 - 5% minimum duty cycle
 - 1 kHz PWM frequency
 - 200 μA dimmer/resistor bias current
 - Dim-to-off disabled
- › The simple one-time programmable option allows setting selection in a wide range
 - Minimum duty cycle: 1%, 2%, 5%, 10%
 - PWM output frequency: 200 Hz, 500 Hz, 1 kHz, 2 kHz
 - Dimmer/resistor bias current: 50 μA , 100 μA , 200 μA , 500 μA
 - Dim-to-off: disabled/enabled
- › Wide input V_{CC} range from 11 to 25 V
- › Transparent PWM mode
(PWM bypass mode in dim-to-off-enabled mode)

Benefits

- › Replace many external components with a single chip, reducing BOM and PCB space
- › Minimize variation from device to device thanks to embedded digital signal processing
- › Easily customizable to design requirements
- › Suitable for various V_{CC} scenarios
- › Wide input V_{CC} range from 11 to 25 V
- › Versatile in complex dimming design



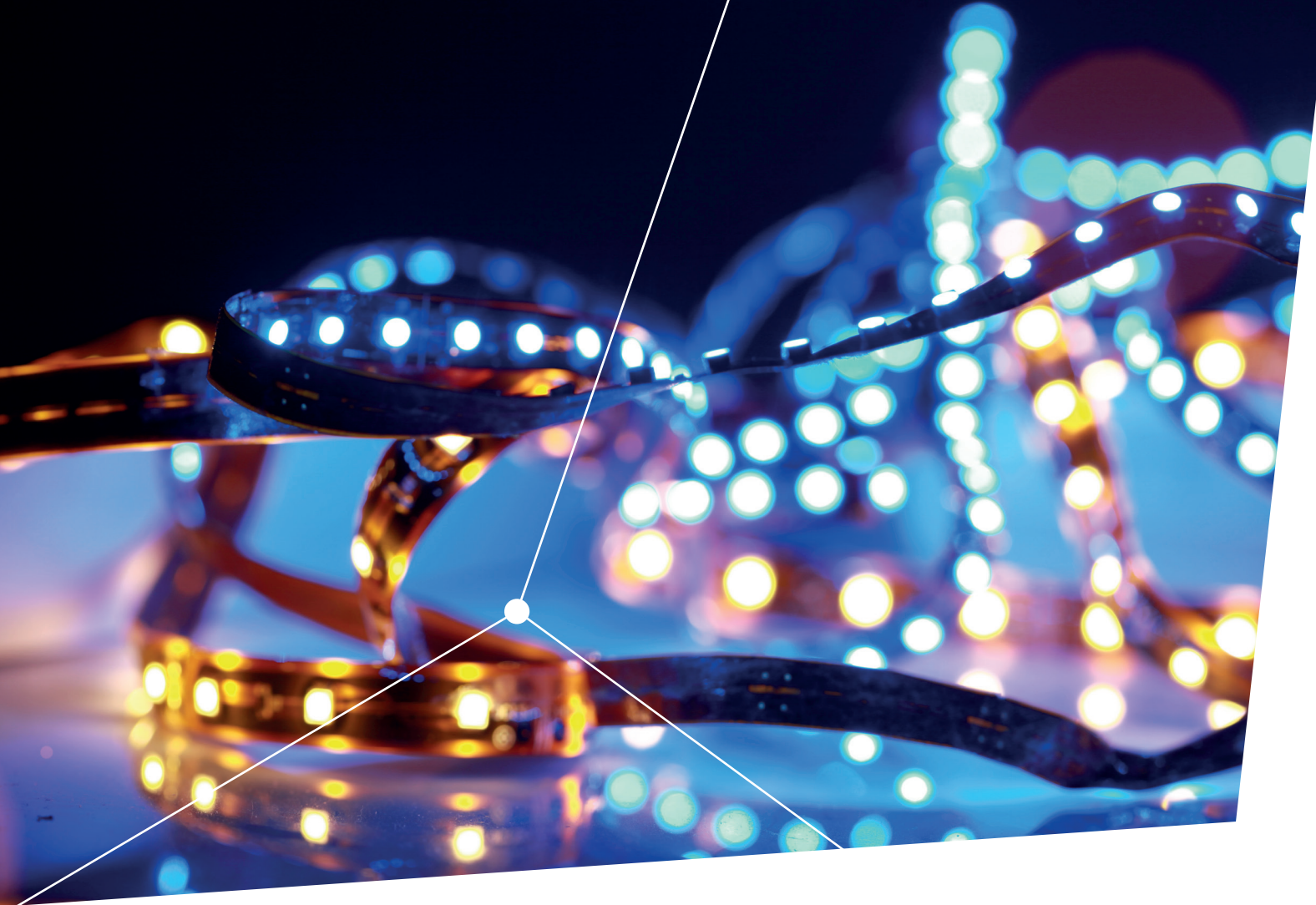
Application note

| Name | Description |
|--------------------------------------|---|
| CoolDim10V Demoboard | 40 W reference design with CDM10V isolated 0–10 V dimming interface |
| COOLDIM_PRG_BOARD | User manual for CDM10V programming board |

Evaluation board

| Name | Products | Description | Order number |
|-------------------------------------|--|--|--------------|
| COOLDIM_PRG_BOARD | CDM10V | 10 V programming board for CDM10V | SP001493166 |
| REF-XDPL8105-CDM10V | CDM10V , XDPL8105 | Reference board for XDPL8105 with dimming | SP001649474 |
| REF-XDPL8210-U35W | CDM10V , XDPL8210 , 800 V CoolMOS™ P7 , BSS169 , BSS123N | 35W reference board with isolated 0 to 10 V dimming and dim-to-off operation | SP001886070 |

www.infineon.com/cdm10v



LED strips and signage

LED strips are being used everywhere from gas stations to cruise ships in a growing number of applications ranging from channel letters to long LED chains. In commercial applications - where product lifetime as well as a homogeneous light output are key priorities - constant

current sources have been well established for the LED strings. These current sources provide from 10 mA to 200 mA LED current compared to the mainstream range of 20 mA to 100 mA.

Linear LED driver ICs

The BCR linear LED drivers are perfectly suited for driving LED currents from 10 mA to 250 mA, making them the ideal choice for low- to mid-power LEDs in general lighting applications.

This represents the lowest-cost solution that requires an ultralow external part count and PCB space. The light output can be adjusted via an external resistor. PWM dimming is supported either by a microcontroller interface or by means of an external digital transistor.

Thanks to its negative thermal coefficient, the LED load will be protected from overheating.

The new-generation [BCR430U](#) and [BCR431U](#) drivers feature an extra-low voltage drop and a smart temperature controlling circuit.



Low-power LED driver ICs (5–65 mA)

| Product type | Group | Topology | V_S (min) [V] | V_S (max) [V] | I_{out} (typ) [mA] | I_{out} (max) [mA] | Dimming | Package | P_{tot} (max) [mW] |
|-------------------------|--------------------------------|----------|------------------|-----------------|----------------------|----------------------|---------|---------|----------------------|
| BCR401U | LED drivers for low-power LEDs | Linear | $1.4 + V_{fLED}$ | 40 | 10 | 65 | Digital | SC74 | 750 |
| BCR401W | LED drivers for low-power LEDs | Linear | $1.2 + V_{fLED}$ | 18 | 10 | 60 | Digital | SOT343 | 500 |
| BCR402U | LED drivers for low-power LEDs | Linear | $1.4 + V_{fLED}$ | 40 | 20 | 65 | Digital | SC74 | 750 |
| BCR402W | LED drivers for low-power LEDs | Linear | $1.4 + V_{fLED}$ | 18 | 20 | 60 | Digital | SOT343 | 500 |
| BCR405U | LED drivers for low-power LEDs | Linear | $1.4 + V_{fLED}$ | 40 | 50 | 65 | Digital | SC74 | 750 |
| BCR431U | LED drivers for low-power LEDs | Linear | 6 | 42 | 15 | 42 | Digital | SOT23-6 | 600 |

Medium and high-power LED driver ICs (65–500 mA)

| Product type | Group | Topology | V_S (min) [V] | V_S (max) [V] | I_{out} (typ) [mA] | I_{out} (max) [mA] | Dimming | Package | P_{tot} (max) [mW] |
|--------------------------|--|----------|------------------|-----------------|----------------------|----------------------|---------|---------|----------------------|
| BCR430U | LED drivers for mid-power LEDs | Linear | 6 | 42 | 50 | 100 | Digital | SOT23-6 | 600 |
| BCR320U | LED drivers for mid-power LEDs | Linear | $1.4 + V_{fLED}$ | $24 + V_{fLED}$ | 250 | 300 | No | SC74 | 1000 |
| BCR321U | LED drivers for mid-power LEDs | Linear | $1.4 + V_{fLED}$ | $24 + V_{fLED}$ | 250 | 300 | Digital | SC74 | 1000 |
| BCR420U | LED drivers for mid-power LEDs | Linear | $1.4 + V_{fLED}$ | $40 + V_{fLED}$ | 150 | 200 | No | SC74 | 1000 |
| BCR421U | LED drivers for mid-power LEDs | Linear | $1.4 + V_{fLED}$ | $40 + V_{fLED}$ | 150 | 200 | Digital | SC74 | 1000 |
| BCR450 | LED controllers | Linear | 3 | 27 | 70 | ext. switch | Digital | SC74 | 500 |
| TLE4309G | LED drivers for linear high-power LEDs | Linear | 4.5 | 24 | 500 | 500 | Digital | TO263 | – |

Very low-cost LED driver ICs

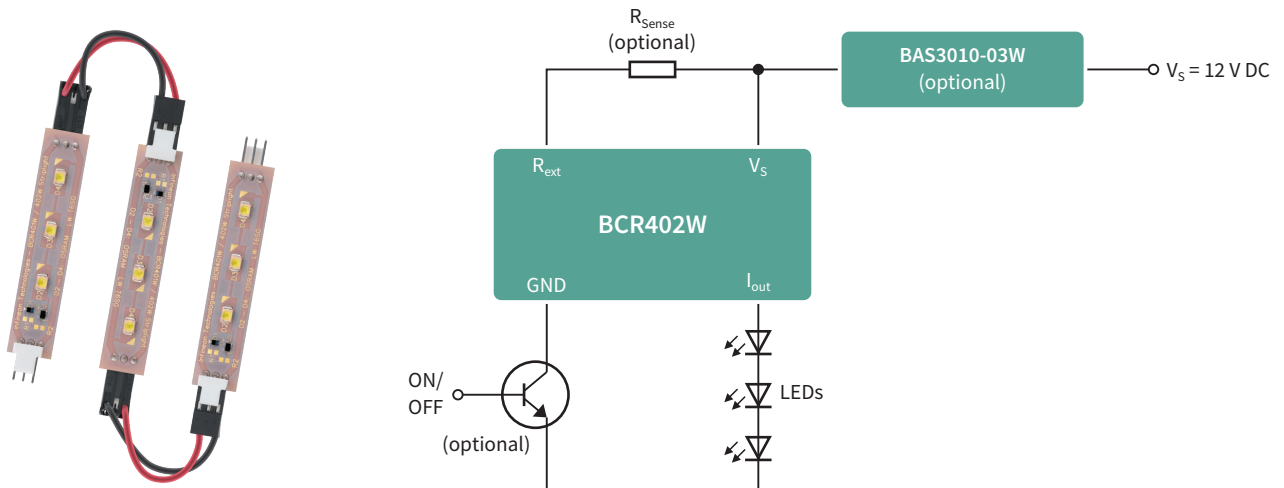
BCR401W/ BCR402W

Features

- › Up to 500 mW power dissipation in a small SOT343 package
- › Negative thermal coefficient reduces output current at higher temperatures
- › Automotive qualified according to AEC-Q101
- › Suitable for a wide variety of applications and power ranges
- › Output current adjustable by resistor up to 60 mA
- › High-side current control
- › PWM dimmable by external transistor

Benefits

- › Driving current always under control for homogeneous light output
- › Longer lifetime of the LEDs due to reduced output current at higher temperatures (negative thermal coefficient)
- › Easy paralleling of drivers to increase current
- › Stacking of LEDs in front of driver to increase input voltage
- › Contributes to longevity and reliability of LED system



Application note

| Name | Description |
|-----------------------|---|
| AN182 | Comparison of resistor biasing versus BCR401W/BCR402W LED driver biasing of 12 V & 24 V DC low-current LED strip lights |

Evaluation board

| Name | Products | Description | Order number |
|---------------------------------------|---|--|--------------|
| BCR402W 12V LED BOARD | BCR402W BAS3010A-03W | 12 V demoboard driving 3x 0.2 W LEDs in series | SP000748242 |
| BCR402W 24V LED BOARD | BCR402W BAT64-02W | 24 V demoboard driving 6x 0.2 W LEDs in series | SP000748244 |

Low-voltage-drop LED driver ICs

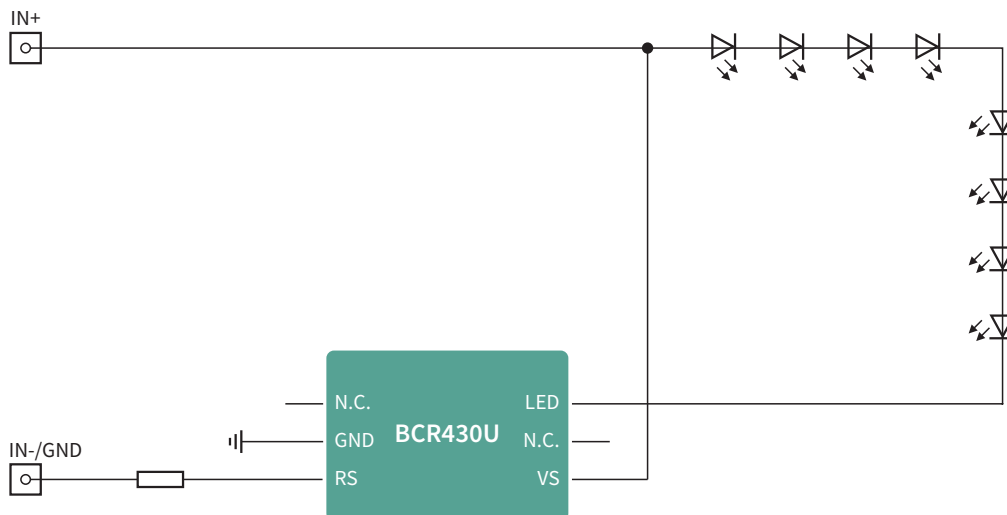
BCR430U/ BCR431U

Features

- › Max. 200 mV voltage drop at driver stage
- › Supply voltage from 6 to 42 V
- › Controls up to 100 mA LED current ([BCR430U](#))
- › Controls up to 42 mA LED current ([BCR431U](#))
- › Smart overtemperature protection

Benefits

- › Very low voltage drop allows use of more LEDs or longer strips overall, which means fewer feeding points.
- › Flexible current setting via resistor
- › Homogeneous light output
- › OTP: protecting not only the lifetime of the IC but also can be used to protect the reliability of the LED strip



Application note

| Name | Description |
|---|--|
| ER_201704_PL39_0 | Engineering report linear LED driver IC BCR430U – features and performance for a 24 V/100 mA (max. LED current) solution, with explanations covering circuit and layout design for the demoboard |
| ER_2001_PL39_100719_BCR431U_2020-02-10 | Engineering report linear LED driver IC BCR431U – features and performance for a 24 V/40 mA (max. LED current) solution, with explanations covering circuit and layout design for the demoboard |
| BCR431U Low voltage drop LED driver IC App Note | BCR431U – linear LED driver IC with low voltage drop – application note – operation, design guide and performance |

Evaluation board

| Name | Products | Description | Order number |
|-------------------------------------|-------------------------|--|--------------|
| BCR430U LED BOARD | BCR430U | Low-power demoboard with 8 LEDs, 50 mA | SP001709472 |
| DEMO_BCR431U_LVDROP | BCR431U | Low-power demoboard with 8 LEDs, 15 mA | SP005351261 |

www.infineon.com/bcr430u

www.infineon.com/bcr431u

Robust LED driver ICs

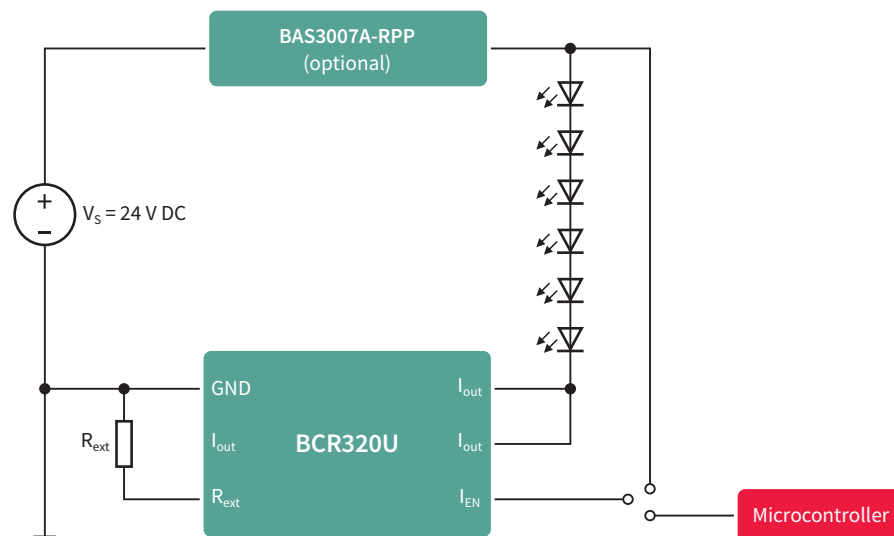
BCR320U/BCR420U

Features

- > Homogeneous light output in different LED strings regardless of V_f and supply voltage
- > Easy to implement with a low component count
- > Flexibility to adjust the current via an external resistor from 10 mA up to 250 mA
- > Automotive qualified according to AEC-Q101

Benefits

- > Direct microcontroller interface for PWM dimming for [BCR421U](#) and [BCR321U](#) or dimming via PWM power of LEDs
- > Negative thermal coefficient to protect the lifetime of LEDs
- > High power dissipation capability



Infineon component list

| Product type | Description |
|---|---|
| BCR320U/BCR321U/BCR420U/BCR421U | Medium-power LED driver |
| BAS3007A-RPP | Schottky bridge for reverse polarity protection (RPP) |

Application note

| Name | Description |
|-----------------------|--|
| AN212 | Driving half-watt LEDs on a lightstrip with BCR320U , BCR321U or BCR420U , BCR421U |

Evaluation board

| Name | Products | Description | Order number |
|--------------------------------------|---|---|--------------|
| BCR320U HW LED BOARD | BCR320U BAS3007A-RPP | 24 V BCR320U striplight demoboard driving 6x 0.5 W LEDs in series | SP000858442 |

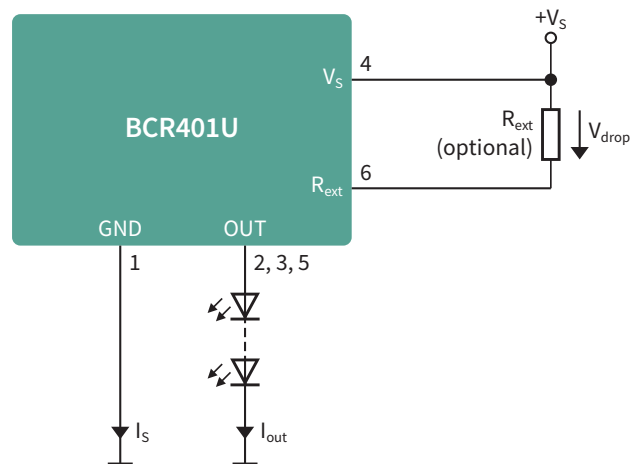
BCR401U/BCR402U/BCR405U

Features

- › LED drive current preset to 10/20/50 mA
- › Output current adjustable by resistor up to 65 mA
- › Supply voltage up to 40 V
- › High-side current control
- › Up to 750 mW power dissipation in a small SC74 package
- › Negative thermal coefficient reduces output current at higher temperatures
- › Automotive qualified according to AEC-Q101

Benefits

- › Driving current always under control for homogeneous light output
- › Longer lifetime of the LEDs due to reduced output current at higher temperatures (negative thermal coefficient)
- › Easy paralleling of drivers to increase current
- › Contributes to longevity and reliability of LED system
- › High power dissipation capability

**Application note**

| Name | Description |
|-----------------------|--|
| AN182 | 12 V and 24 V DC low-current LED striplights LED driver biasing using BCR401W/BCR402W vs. resistor biasing (AN182) |
| AN097 | Using BCR402U at high supply voltages |
| AN101 | LEDs from 10 mA to 700 mA driven by BCR4XX (AN101) |
| AN077 | Thermal resistance calculation (AN077) |

www.infineon.com/bcr401U

www.infineon.com/bcr402U

www.infineon.com/bcr405U

Radar sensors for presence detection and more

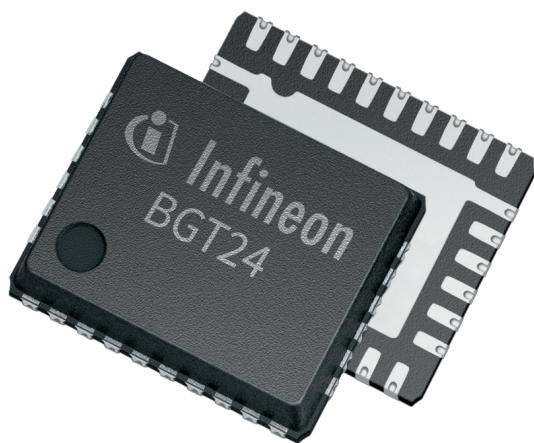
Passive infrared sensors – in short PIR sensors – are used in numerous lighting applications to save energy. PIR sensors detect the body heat radiated by people. While PIR sensors work well for some applications, certain weaknesses limit their suitability for other use cases. More specifically, these include the following:

- › Limited coverage
- › The opening required for the Fresnel lens complicates design and manufacturing of the lighting fixture
- › Poor sensitivity with regards to radial movements
- › No sensitivity with regards to micro movements when ambient temperature is similar to body temperature

Radar technology overcomes all of these challenges. Since the radar module can be integrated in the lighting fixture, there are no restrictions on the fixture design. In addition, the radar module enables platform solutions that can be used for different types of lighting fixtures. Radar is not temperature-dependent and also works under difficult weather conditions, including fog and rain. The high sensitivity of radar makes it suited to vital sensing applications including the detection of breathing and heart rate.

Furthermore, radar enables new functions like the detection of direction, position and speed. It can also track and count people. All of this extended functionality is enabling new use cases like identifying the usage of meeting rooms and taking the necessary actions for better use of the real estate.

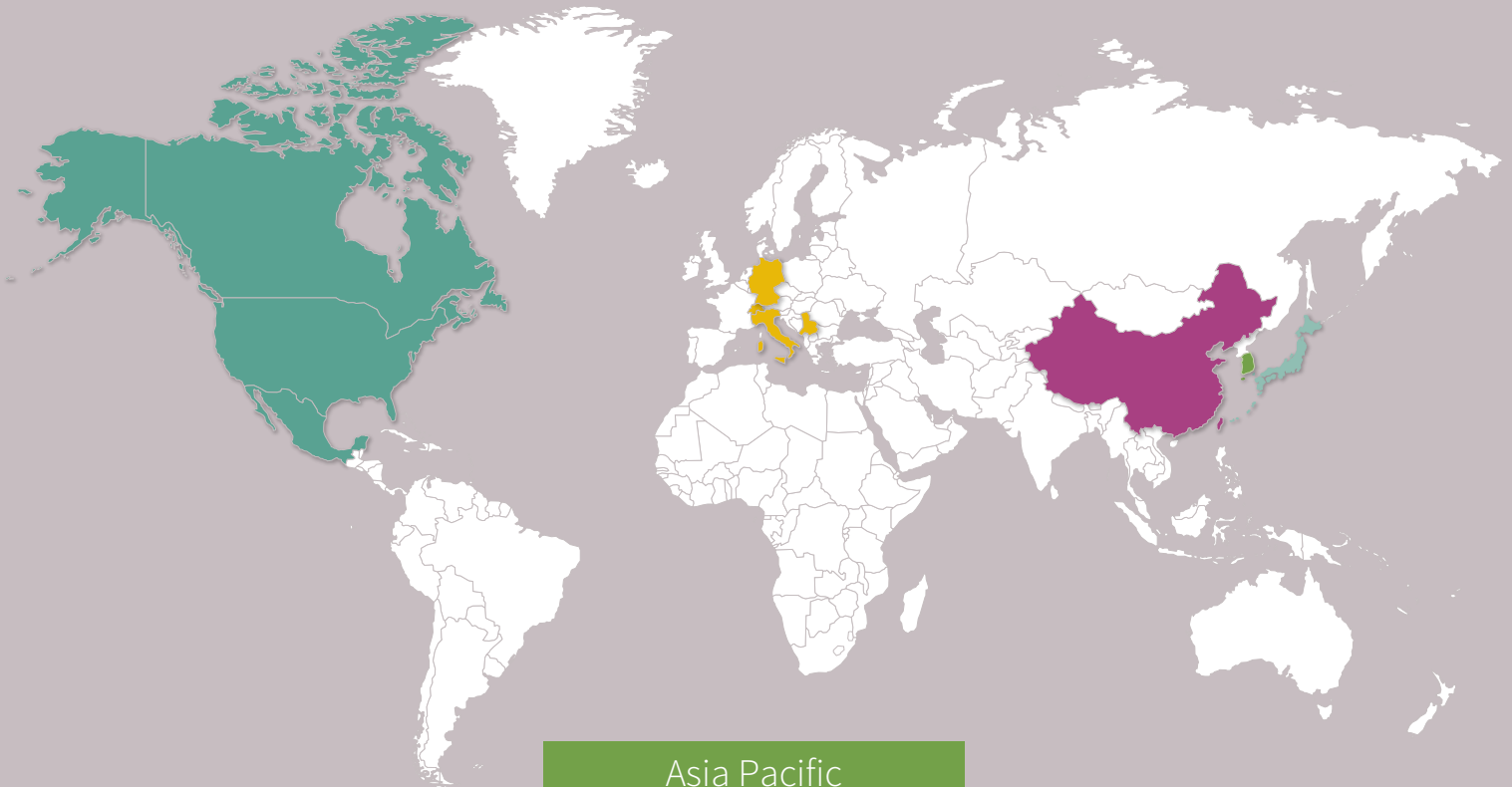
Looking at the many advantages of radar technology, one might wonder why it is not widely used in lighting. In fact, radar has now started to penetrate lighting applications, but a large number of luminaire makers are simply not yet aware of the benefits of this technology. Furthermore, there are some misconceptions around pricing and ease of implementation. Radar solutions may have been expensive in the past, but large-volume deployment in the automotive industry in particular has brought this technology to a more mature, affordable space. Our radar partners already offer a portfolio of certified radar modules to ensure ease of implementation. Given the lively interest in radar solutions among lighting customers, it is likely that this portfolio of radar modules will be expanded further. On the following pages, you will find examples of radar modules offered by some of our radar partners.



Radar partner ecosystem at a glance including design house partners

| EMEA | | |
|--------------|--------|-----|
| Greenwaves | | |
| 24/60/77 GHz | DH | I |
| InnoSenT | | |
| 24/60/77 GHz | M + DH | I/A |
| NovellC | | |
| 24/60/77 GHz | DH | I/A |
| RFbeam | | |
| 24/60/77 GHz | M + DH | I/A |

| Greater China | | |
|----------------|--------|-----|
| Cheng Tech | | |
| 24 GHz | DH | I |
| Entros | | |
| 24 GHz | M + DH | I/A |
| Honmax | | |
| 24 GHz | DH | I |
| KingCity | | |
| 24/60 GHz | DH | I |
| Nanoradar | | |
| 24 GHz | M + DH | I/A |
| Sensortech | | |
| 24 GHz | M + DH | I/A |
| RichGreenTek | | |
| 24 GHz | DH | A |
| TransMicrowave | | |
| 24 GHz | DH | I/A |



| Americas | | |
|----------------------|--------|-----|
| Ancortek | | |
| 24 GHz | M + DH | I |
| Colorado Engineering | | |
| 24/60/77 GHz | M | I/A |
| Delta Mobile Systems | | |
| 24 GHz | M + DH | I/A |
| OmniPreSense | | |
| 24 GHz | M + DH | I |

| Asia Pacific | | |
|------------------|--------|-----|
| Bitsensing Inc. | | |
| 24/60 GHz | DH | I |
| Digitaledge Inc. | | |
| 24/60 GHz | DH | I |
| Inzinious | | |
| 24 GHz | DH | I/A |
| M-Clavis | | |
| 24/60/77 GHz | M + DH | I |
| Newest one | | |
| 24 GHz | M + DH | I |
| Wooriro | | |
| 24 GHz | M + DH | I |

| Japan | | |
|--------------|----|-----|
| PTM | | |
| 24/60 GHz | DH | I |
| Sharp Takaya | | |
| 24 GHz | DH | I/A |

Abbreviations: M = "Off-the-shelf" radar module provider DH = Design house/customized modules
I = Industrial and consumer applications A = Automotive applications

Our partners

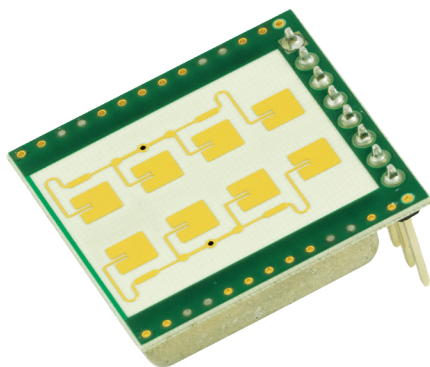
Our system design house partners deliver both standard products and customized solutions to fit specific lighting applications from movement detection through automatic light activation to person counting. In addition, they offer all levels of support to get your intelligent lighting system up and running as quickly and efficiently as possible. On the next pages you can gain an overview of some standard products.

K-LDx series from RF-Beam Radar module

RFbeam

RFbeam Microwave GmbH is a leading supplier of planar Radar sensors, K-band measuring equipment and engineering. Their product range covers simple low cost Doppler devices as well as state-of-the-art digital and superhet transceivers and systems. Typical applications are movement and industrial sensors, traffic supervision and analyzer systems, sport measurement equipment and many other uses.

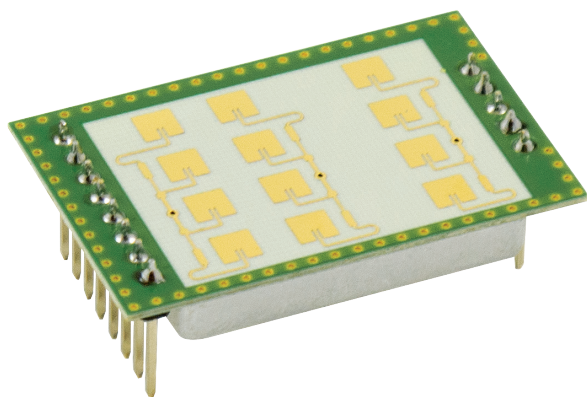
K-LD2 certified radar module



K-LD2 certified radar module

- › Presence detection including slight movements
- › Detection distance up to 15 m (humans) 30 m (cars)
- › Can be hidden in the luminaire
- › Small footprint of 25 x 25 x 6.5 mm
- › 80°/34° beam aperture
- › Sensitivity for micro movements can be adjusted
- › Wide power supply range from 3.2 to 5.5 V
- › Fully certified plug & play solution
- › Very cost-effective solution

K-LD7 certified radar module



Features

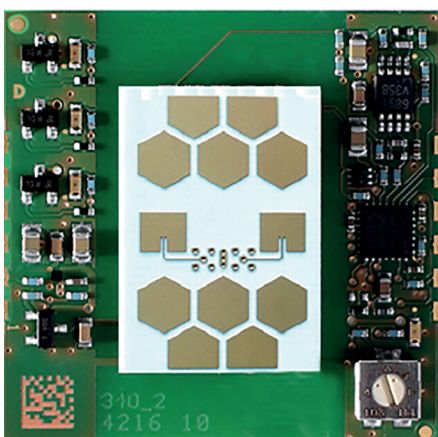
- › Presence detection including slight movements
- › Add-on features like measurement of
 - Distance
 - Direction
 - Angle
- › Detection distance up to 15 m (humans) 30 m (cars)
- › Can be hidden in the luminaire
- › Small footprint of 37 x 25 x 7 mm
- › 80°/34° beam aperture
- › Sensitivity for micro movements can be adjusted
- › Wide power supply range from 3.2 to 5.5 V
- › Fully certified plug & play solution

INS-Series from InnoSenT: Motion and presence detector in one radar system



InnoSenT GmbH from Donnersdorf was founded in 1999 and is one of the world's leading companies in the field of radar technology. As a manufacturer and developer, the company supplies the full bandwidth of engineering services - from customer-specific development to series production. Thanks to the strong focus on quality and innovation, InnoSenT GmbH has been following a course to global success for many years.

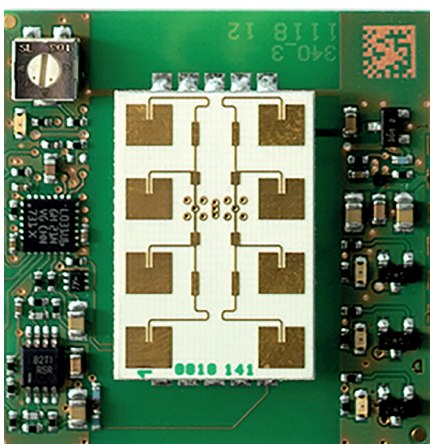
INS-313X



Features

- > Can be concealed behind many materials
- > Motion detection range of up to 5 m for humans
- > Detection range adjustable via potentiometer (only for advanced version INS-3130)
- > Proximity switch for object detection (distances of less than 5 cm)
- > Movement recognition with direction, velocity and signal strength over range from 1.5 to 5 m
- > Advanced version INS-3130 comes with open collector outputs
- > UART interface
- > ECO and standby mode for reduced power consumption
- > Delivered on tape and reel
- > Flat SMD design with 5 mm height

INS-333x



Features

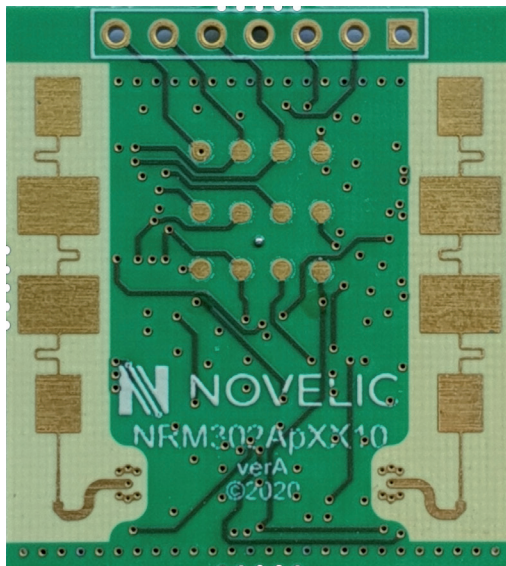
- > Can be concealed behind many materials
- > Motion detection range of up to 10 m for humans
- > Detection range adjustable via potentiometer (only for advanced version INS-3330)
- > Proximity switch for object detection (distances of less than 10 cm)
- > Movement recognition with direction, velocity and signal strength over range from 2 to 10 m
- > Open collector outputs (only for advanced version INS-3330)
- > UART interface
- > ECO and standby mode for reduced power consumption
- > Delivered on tape and reel
- > Flat SMD design with 5 mm height

Radar Motion and Presence Sensor



NOVELIC is a high-tech B2B engineering, design services, and solutions company. The company provides design services for analog, AMS, digital, and RF IC design, ASIC & FPGA, embedded systems, sensor fusion, DSP, MEMS, mechanical system, sensors & multimedia signal processing, 802.11 communications, and mm-wave Radar sensor modules. The NOVELIC team has multidisciplinary in-house knowledge, allowing the company to deliver solutions for systems, hardware, software, and algorithms for various automotive, consumer, industrial, healthcare, transportation, and safety applications.

RIOT100 advantages



Features

- › Turnkey motion and presence sensor solution
- › No radar signal processing knowledge required
- › Distance teaching function for user-friendly detection area adjustment
- › Completely invisible integration
- › No lenses or cut-outs required
- › Completely independent of:
 - ambient and object temperature
 - light conditions
 - environment conditions
- › Ideal for high-temperature operation in luminaires
- › Anonymous detection without privacy invasion
- › License-free operation
- › Cost effective solution

Features

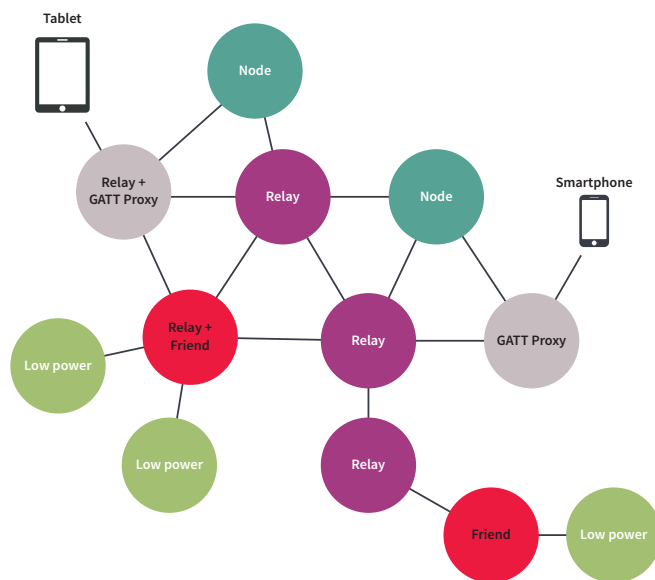
- › Detects humans' motion up to 15 m
- › High sensitivity presence detection mode
- › 120° field of view
- › 3.3V supply and interfaces
- › Low power consumption
- › Compact dimensions 30mm x 27mm x 6mm
- › Determines the direction of movement and object distance
- › Detects multiple objects simultaneously
- › Integrated radar signal processor
- › Digital object list data output
- › UART and I²C interface
- › Event trigger interrupts

Wireless networking enabling automation, efficiency, occupancy interaction, and safety

Bluetooth's many advantages have given rise to its now ubiquitous presence. The Bluetooth standards are maintained and advanced by the Bluetooth Special Interest Group (SIG), which as of this writing has some 33,000 members in 150 countries.

The advent of Bluetooth Mesh networking has expanded the scale and scope for lighting applications. With support for over 30,000 network nodes, Bluetooth Mesh can handle applications that span large buildings, healthcare enterprises and campuses.

A Bluetooth Mesh network topology enjoys two significant advantages: virtually unlimited scalability and high resiliency, both of which have contributed to the protocol's popularity among product design engineers. These advantages derive from the many-to-many communications that form multiple paths throughout the network from source-to-destination, as shown in Figure below.



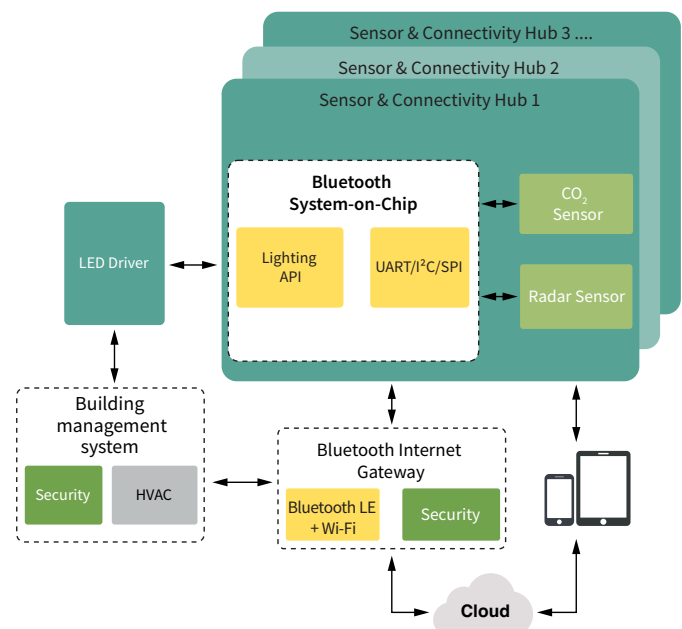
The m:m connections assure successful communications even when multiple nodes have failed or been taken out of service, whether temporarily or permanently. Putting it another way: Bluetooth Mesh networks can expand far and wide with no single points of failure.

For connectivity to enterprise and cloud applications where the Bluetooth Mesh network may need to communicate with a Wi-Fi network, a gateway functionality will be needed. For example, an enterprise efficiency and security system could be used to turn on or off certain lights relative to occupancy patterns or sensor notifications. In these situations, an host SoC combo-module that supports both Wi-Fi and Bluetooth LE networking simplifies the design effort gracefully managing wireless coexistence and the bridging of Bluetooth Mesh communications with the enterprise network.

Bluetooth LE protocol ubiquity also gives Bluetooth another important advantage: the availability of proven techniques, tools and software needed to develop new products. Hardware and software engineers interested in learning more about these resources are encouraged to review the documents and links listed in the references below.

The many resources now available make it easy to get started with Bluetooth Mesh. Proof-of-concept designs can be created quickly and affordably using inexpensive evaluation boards, IDEs and SDKs.

Offering device, smartphone, tablet and gateway interoperability and power efficient, cost effective connectivity, Bluetooth Mesh is destined to become the network of choice for a growing number of residential, commercial and industrial lighting applications.



Bluetooth Mesh devices and modules

Embedding Bluetooth Mesh networking in lighting systems including luminaires, fixtures, and wall switches opens a range of system applications to manage lighting brightness or color, efficiency based on occupancy movements and correlation of lighting ecosystem components. The range and coverage of Bluetooth Mesh devices allows for low latency, whole building coverage of automation and occupancy interaction via smartphone and tablet applications as well as cloud applications for building management. Infineon provides a range of Bluetooth Mesh MCUs and certified modules that enable lighting control functionality, safety and occupancy sensor management and robust, secure, reliable networked managed solutions.

Bluetooth Mesh SoCs and certified modules: solutions and benefits

Bluetooth Mesh system-on-a-chip (SoCs) and certified modules offer a range of efficient and future-proofed upgradeable solutions:

| Solutions | Benefits |
|--|---|
| Module diversity with integrated components ranging from the basic battery-powered sensor to the most sophisticated detection and safety devices | Accommodating different needs now and in future |
| Fully-integrated modules | <ul style="list-style-type: none"> › Accelerate time-to-market › Reducing development and manufacturing costs |
| Ultra-high-transmit power designs with integrated antennas | Enabling long range and unfailing node-node connections |
| Integrated CPU, memory (flash and RAM) and I/O | Suiting all foreseeable applications hosting |

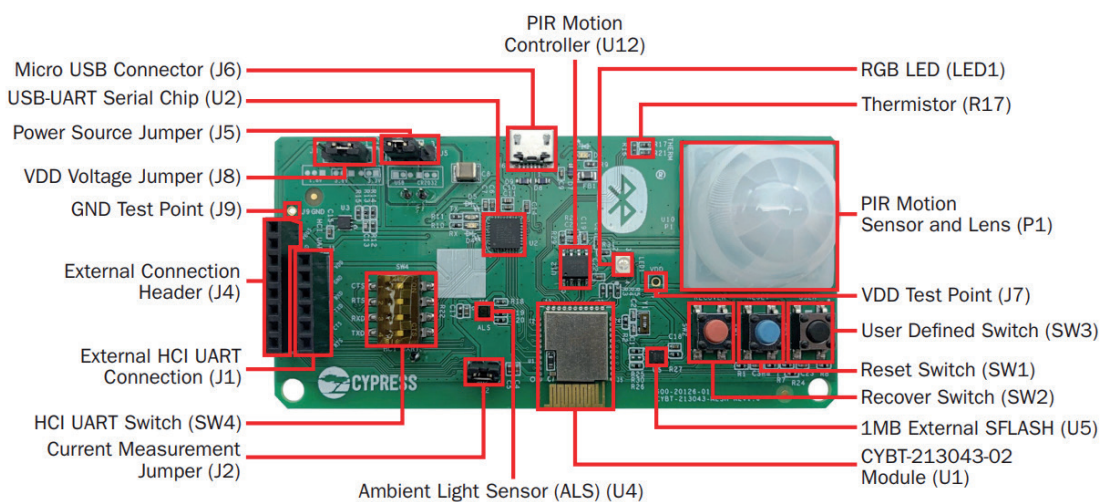
Bluetooth Mesh evaluation kit **CYBT-213043-MESH**

The Bluetooth Mesh evaluation kit (**CYBT-213043-MESH**) enables you to evaluate SIG Mesh functionality and features using the **CYBT-213043-02 module**. The **CYBT-213043-02 module** is an integrated, fully certified, 12.0 mm x 16.61 mm x 1.70 mm, programmable Bluetooth® Smart Ready module designed to reduce your time-to-market.

Utilized device: **CYW20819**

Kit contents:

- › 4x mesh evaluation boards
- › 4x USB A to micro-B cables
- › 1x quick-start guide (this document)








Bluetooth Mesh Networking - An Introduction for Developers
[Bluetooth-Mesh-Paving-the-Way-for-Smart-Lighting](#)
 Bluetooth-Mesh specifications:
www.bluetooth.com/specifications/mesh-specifications



Getting Started with
 Bluetooth Mesh
 (AppNote AN227069)

Selection of Bluetooth Mesh devices and modules for connected and smart lighting applications


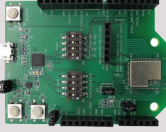






Mesh-enabled, silicon, dual-mode Bluetooth 5.0 MCUs

| | CYW20706 | CYW20735 | CYW20819 | CYW20820 | CYW20719 |
|-----------------------|---|---|---|---|---|
| Product features |  |  |  |  |  |
| TBA Processor | CM3 | CM4 w/ FPU | CM4 | CM4 | CM4 w/ FPU |
| TBA Radio | - | ULP RF | ULP RF | ULP RF | ULP RF |
| Operating temperature | 105 C | 85 C | 125 C planned | 125 C planned | 85 C |
| Transmit power | 10 dBm Tx | 10 dBm Tx | 4 dBm Tx | 10 dBm Tx | 4 dBm Tx |
| Memory | - | - | 256 kB Flash | 256 kB Flash | 1 MB Flash |



Interested in more? We offer a broad silicon portfolio to support your Bluetooth Mesh design. [Explore here.](#)

Fully-certified Bluetooth modules (FCC, ISED, MIC, CE)





| | | | |
|---|---|---|---|
|  | <p>Load range Up to 20 dBm transmit power</p>  <p>CYBT-483056-02</p> | <p>Size and simplicity Ez Serial support enables fast time to market and 9x9 size for small form factor application</p>  <p>CYBT-353027-02</p> |  |
|  | <p>Value Balance of features for cost sensitive applications</p>  <p>CYBT-343052-02</p> | <p>Integration Fully integrated SoC with lowest power and extended range</p>  <p>CYBT-273063-02</p> |  |

Wi-Fi enterprise networking and internet connectivity

Wi-Fi networking is the back-bone of enterprise, retail, and home internet connectivity. Wi-Fi is the bridging medium for Bluetooth Mesh networks to enterprise networks and cloud applications capturing messaging from across the lighting installation for secure enterprise building management applications.

Wi-Fi can also be used to connect sensors and fixtures directly to enterprise or home access points for long range solutions or integrated solutions including security lighting and cameras. Infineon offers a range of secure, high performance enterprise ready Wi-Fi solutions that can be added to switches, panels, and lighting bays. These solutions can be stand-alone network nodes or offer Bluetooth Mesh Gateway services bridging Mesh-networked devices to cloud applications.

IoT Wi-Fi portfolio

| Technology | Wi-Fi | Wi-Fi + MCU | Wi-Fi + Bluetooth combos | |
|----------------------|---|--|---|---|
| Wi-Fi 4 (802.11n) | CYW43364 SB 1x1 11n SDIO  | CYW43903 SB 1x1 11n + 160-MHz R4 CYW43907 1x1 DB 11n + 320-MHz R4 | CYW43439* SB 1x1 11n + BT5.2 SDIO/SPI  CYW43012 ULP DB 1x1 11n + BT5.1 SDIO/SPI WLBGA/WLCSP | |
| | Wi-Fi 5 (802.11ac) | | CYW54907 1x1ac DB + 320-MHz R4  | CYW54590** DB 2x2 11ac + BT 5.1 PCIe/SDIO CYW4373/89373 DB 1x1 11ac + BT5.0 USB/SDIO/PCIe  CYW54591 DB 2x2 11ac, RSDB, BT5.1 PCIe/SDIO |

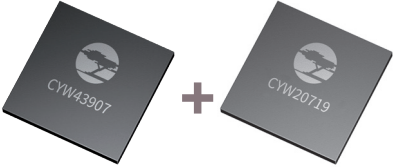

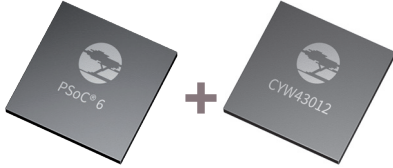
Infineon's Wi-Fi portfolio provides high-performance, flexible connectivity for Linux, Android, and RTOS. Many of the Wi-Fi + Bluetooth combos are supported on Infineon's WICED Wi-Fi and ModusToolbox Software Development Kits (SDK) which provide code examples, tools and development support.

Infineon's Wi-Fi and Bluetooth combos use production-ready, fully-certified Wi-Fi + Bluetooth combo modules based on both Linux and RTOS based platforms. Many of the Wi-Fi + Bluetooth combos are supported on Infineon's WICED Wi-Fi and ModusToolbox Software Development Kits (SDK) which provide code examples, tools and development support for **easier and faster development.**

*Coming soon

**For more information on this product, contact our [product support](#).

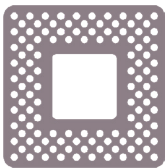
Wi-Fi enterprise networking and internet connectivity

| | | |
|---|---|---|
|  |  |  |
| <p>CYW43907: MCU + Wi-Fi</p> | <p>PSoC or 3rd party MCU: PSoC or 3rd-party MCU running RTOS 3rd-party SoC running Linux OS</p> | <p>P/N: CY8CKIT-06S2-43012 PSoC 6: Ultralow-power dual-core MCU</p> |
| <p>CYW20719: Dedicated Bluetooth 5.1 MCU</p> | <p>CYW43439*: 1x1n Wi-Fi + Bluetooth combo SoC</p> | <p>CYW43012 (Murata Type 1LV): Dedicated low-power Wi-Fi + Bluetooth 5 combo SoC</p> |

We offer a broad platform portfolio to support your Bluetooth Mesh gateway. [Explore more here.](#)

IoT Wi-Fi portfolio

A global Wi-Fi module partner ecosystem enables support and development for your IoT application.



Design, build and sell RF Modules with limited software and hardware certification support

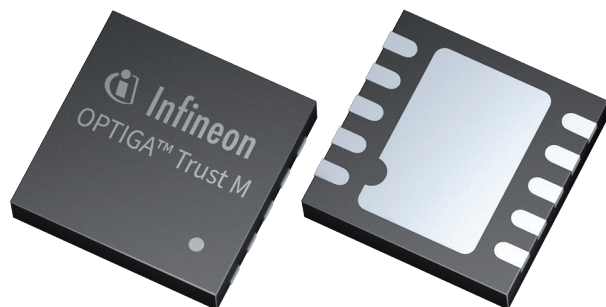
Module makers



*Coming soon

OPTIGA™ Trust M

Turnkey security solution optimized for connected devices



The OPTIGA™ Trust M is a high-end security solution that provides an anchor of trust for connected IoT devices, giving every IoT device its own unique identity. OPTIGA™ Trust M offers a wide range of security features, making it ideal for industrial and building automation applications, smart homes and connected consumer devices.

The turnkey setup with full system integration minimizes design, integration, and deployment effort.

Features

- › CC EAL6+ (high) certified controller
- › Up to 10kB user memory
- › 2C interface with Shielded Connection
- › Cryptographic support:
 - ECC: NIST curves up to P-521, Brainpool r1 curve upto 512
 - RSA® up to 2048
 - AES key up to 256 , HMAC up to SHA512
 - TLS v1.2 PRF and HKDF up to SHA512
- › Crypto ToolBox commands for SHA-256, ECC and RSA® Feature, AES, HMAC and Key derivation
- › OPTIGA™ Trust M Software Framework on Github
- › Configurable device security monitor, 4 Monotonic up counters
- › Protected update of data, key and metadata objects
- › Hibernate for zero power consumption
- › Temperature: -25°C to 85°C and -40 to 105°C
- › Lifetime of up to 20 years for industrial automation and infrastructure

Benefits

- › **Secured zero-touch provisioning:** secured, fast, and easy access to any major cloud service provider thanks to pre-provisioned certificates
- › **Easy integration:** turnkey set-up with full system integration, reference designs, application notes and a wide range of use cases to minimize your design, integration and deployment effort
- › **Future-proof security:** OPTIGA™ Trust M provides a toolbox supporting the most advanced cryptographic schemes to help customers withstand today's and future security challenges
- › **MIT licensed software:** the open source framework allows customers to benefit from direct support from developers as well as from regular updates on new versions and features

Where to buy

Infiniteon distribution partners and sales offices:

www.infineon.com/WhereToBuy

Service hotline

Infiniteon offers its toll-free 0800/4001 service hotline as one central number, available 24/7 in English, Mandarin and German.

- > Germany 0800 951 951 951 (German/English)
- > China, mainland 4001 200 951 (Mandarin/English)
- > India 1 800 572 4924 (English)
- > USA 1-866 951 9519 (English/German)
- > Other countries 00* 800 951 951 951 (English/German)
- > Direct access +49 89 234-0 (interconnection fee, German/English)

*Please note: Some countries may require you to dial a code other than "00" to access this international number.
Please visit www.infineon.com/service for your country!

www.infineon.com

Published by
Infineon Technologies AG
81726 Munich, Germany

© 2020 Infineon Technologies AG.
All rights reserved.

Please note!

This Document is for information purposes only and any information given herein shall in no event be regarded as a warranty, guarantee or description of any functionality, conditions and/or quality of our products or any suitability for a particular purpose. With regard to the technical specifications of our products, we kindly ask you to refer to the relevant product data sheets provided by us. Our customers and their technical departments are required to evaluate the suitability of our products for the intended application.

We reserve the right to change this document and/or the information given herein at any time.

Additional information

For further information on technologies, our products, the application of our products, delivery terms and conditions and/or prices, please contact your nearest Infineon Technologies office (www.infineon.com).

Warnings

Due to technical requirements, our products may contain dangerous substances. For information on the types in question, please contact your nearest Infineon Technologies office.

Except as otherwise explicitly approved by us in a written document signed by authorized representatives of Infineon Technologies, our products may not be used in any life-endangering applications, including but not limited to medical, nuclear, military, life-critical or any other applications where a failure of the product or any consequences of the use thereof can result in personal injury.