

MICRO SWITCH

A DIVISION OF BOSTON-BASED HONEYWELL REGULATORY COMPANY
BOSTON, MASSACHUSETTS

FED. MFR. CODE 91929

SWITCH — ENCLOSED

CATALOG LISTING

51ML72

THIS DRAWING COVERS A PROPRIETARY ITEM AND IS THE PROPERTY OF MICRO SWITCH A DIVISION OF HONEYWELL THIS DRAWING IS NOT TO BE COPIED OR USED WITHOUT THE APPROVAL OF MICRO SWITCH

51ML72

M

DRAWING NUMBER

12

ISSUE

8

REPLACES

SR 4534

RELEASE NO

31 MAY 55

CHECK

17

27 MAY 55

CHECK

17

27 MAY 55

CHECK

10

5 MAR 58

CHECK

10

30 DEC 59

CHECK

17

23 SEPT 63

CHECK

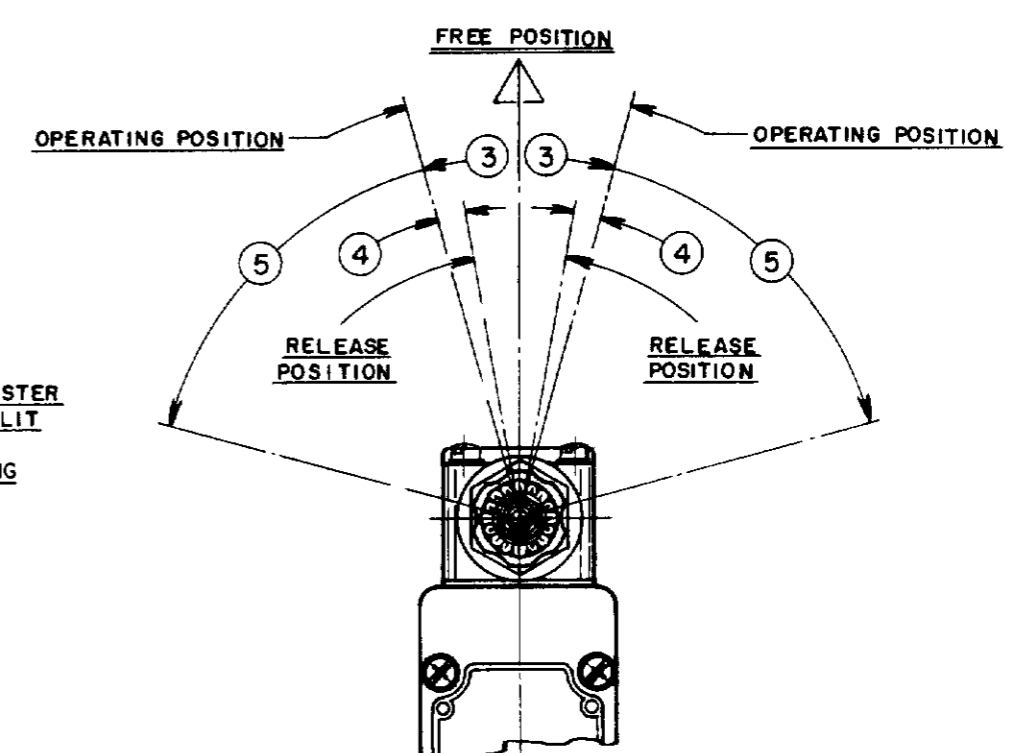
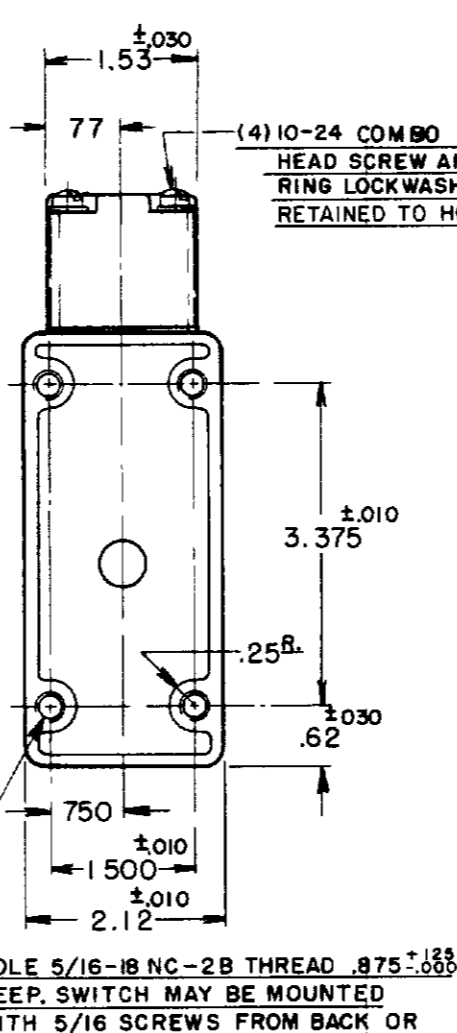
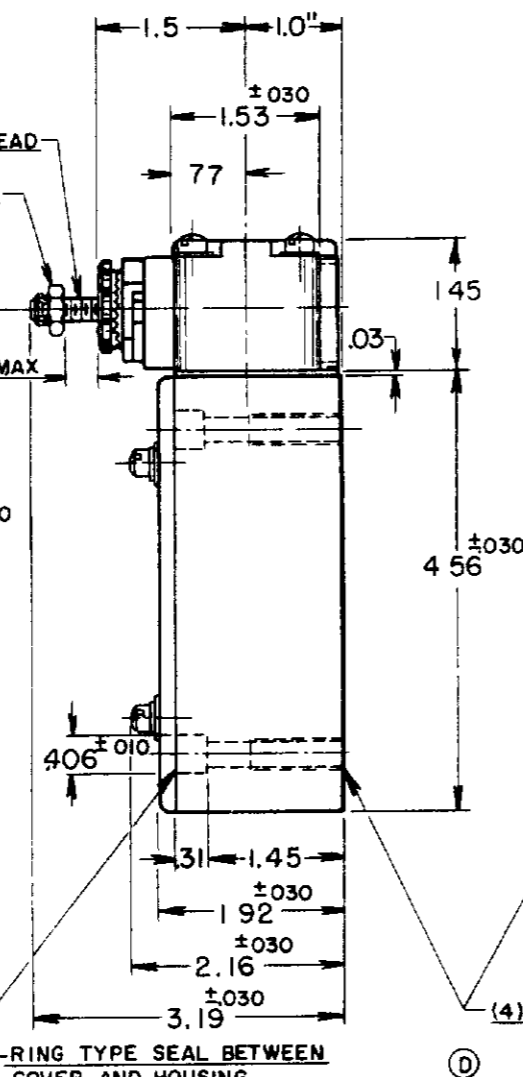
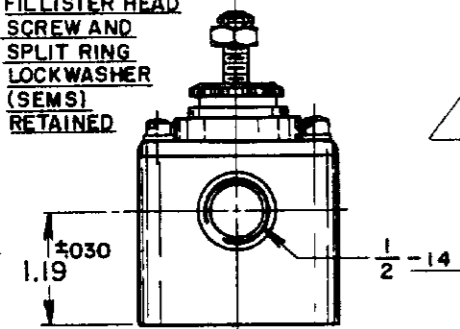
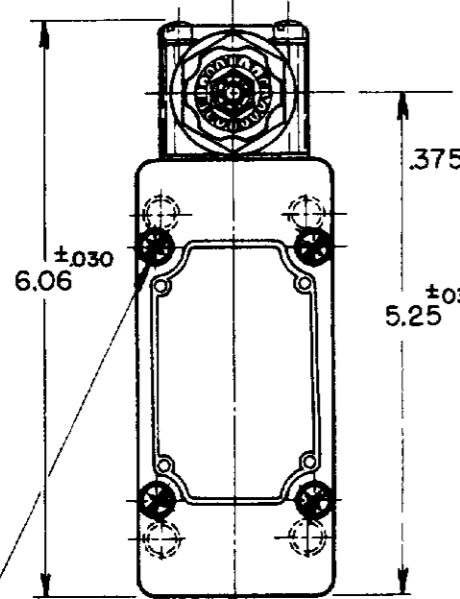
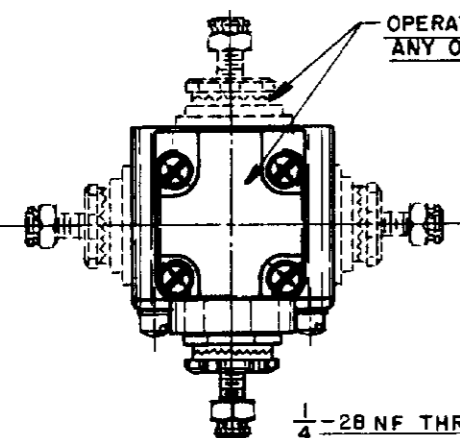
17

23 JAN 66

CHECK

21

21 APR 63



NOTES

- 1 SWITCH IS ASSEMBLED FOR ACTUATION IN EITHER DIRECTION TO CONVERT SWITCH FOR ACTUATION EITHER CLOCKWISE OR COUNTER-CLOCKWISE DIRECTION ONLY, REMOVE THE HEAD AND SLIDE THE CAM TOWARD THE REAR OF THE HEAD SUFFICIENTLY TO DISENGAGE FROM THE FLATS ON THE SHAFT. ROTATE THE CAM 90° IN THE OPPOSITE DIRECTION OF THE ACTUATION DESIRED AND RE-ENGAGE THE CAM WITH THE FLATS ON THE SHAFT
- 2
- 3 - SHAFT MAY BE ADJUSTED TO ACTUATE THE SWITCH IN THE CLOCKWISE DIRECTION ONLY, THE COUNTER-CLOCKWISE DIRECTION ONLY OR IN BOTH DIRECTIONS
- 4 - IT IS ESSENTIAL TO PREVENT ENTRANCE OF HARMFUL AGENTS THRU THE CONDUIT OPENING TO OBTAIN FULL BENEFIT OF THE SEALED CONSTRUCTION PROVIDED IN THIS UNIT
- 5 BASIC SWITCHING ELEMENT LISTED BY UNDERWRITERS' LABORATORIES, INC.

CHARACTERISTICS
OPERATING TORQUE - 5 11/32 LB. IN. MAX.
RELEASE TORQUE - 7/16 LB. IN. MIN.
PRETRAVEL - (A) (3) 20° MAX.
DIFFERENTIAL TRAVEL - (A) (4) 15° MAX.
OVERTRAVEL - (A) (5) 50° MIN.
FULL OVERTRAVEL TORQUE - 7 1/8 LB. IN. MAX.
SWITCH-BASIC REPLACEMENT DT-2R711-A7

ELECTRICAL DATA	
CONTACT ARRANGEMENT D. P. D. T	BREAK DISTANCE .020 MIN
10 A-125 OR 250 VAC 0.3 A-125 VDC, 0.15 A-250 VDC	

SCALE 1/2 TO 1
DO NOT SCALE PRINT
UNLESS OTHERWISE SPECIFIED DIMENSIONS ARE IN INCHES
TOLERANCES ARE:
ONE PLACE () ± .030
TWO PLACE (.) ± .015
THREE PLACE (.00) ± .008
ANGLES ±
WEIGHT

REVISIONS
A CO10054 A A S 25 NOV 55
B CORR K F M 8 FEB 58
C CO10847 O. M. W. 18 JULY 58
D CO11247 O. M. W. 5 MAR 58
E CO13487 M. B. F. 10 MAR 59
F CO14233 M. B. F. 30 DEC 59
G CO22643 D. W. C. 21 MAR 67
H CO52194-D T. S. K. 23 SEPT 63
J CO55094-B J. A. P. 17 DEC 64
K CO58909 T. S. K. 23 JAN 66
L CO74287 O. M. W. 21 APR 63

74-863