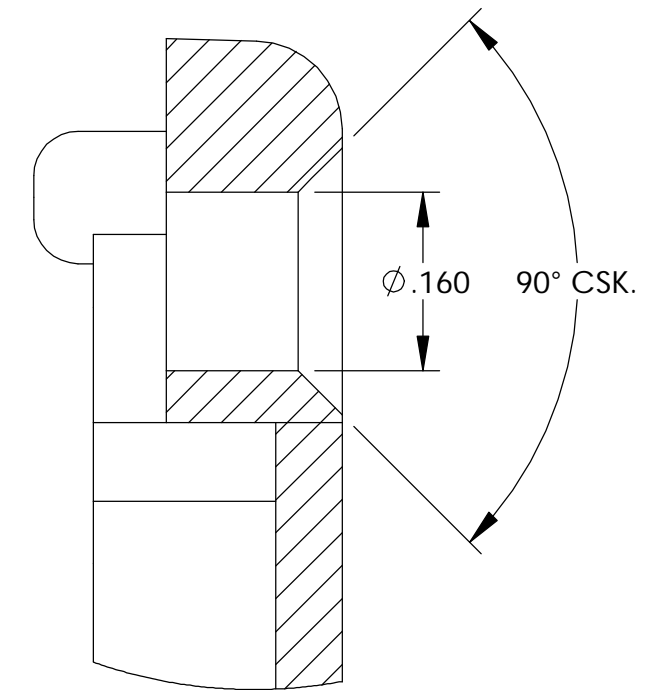
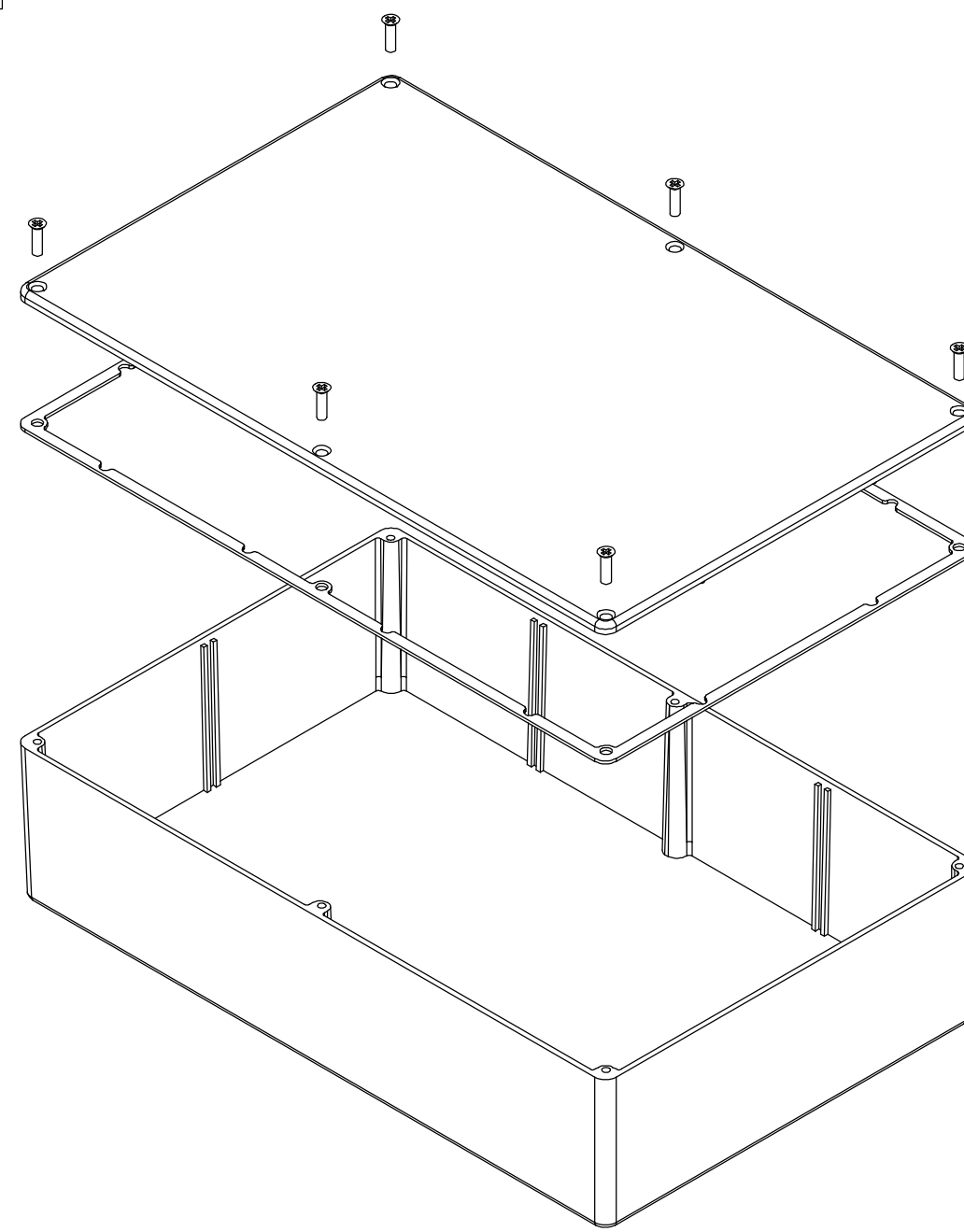


THE INFORMATION CONTAINED IN THIS DRAWING IS THE SOLE PROPERTY OF BUD INDUSTRIES INC. ANY REPRODUCTION IN PART OR WHOLE WITHOUT THE WRITTEN PERMISSION OF BUD INDUSTRIES INC. IS PROHIBITED.

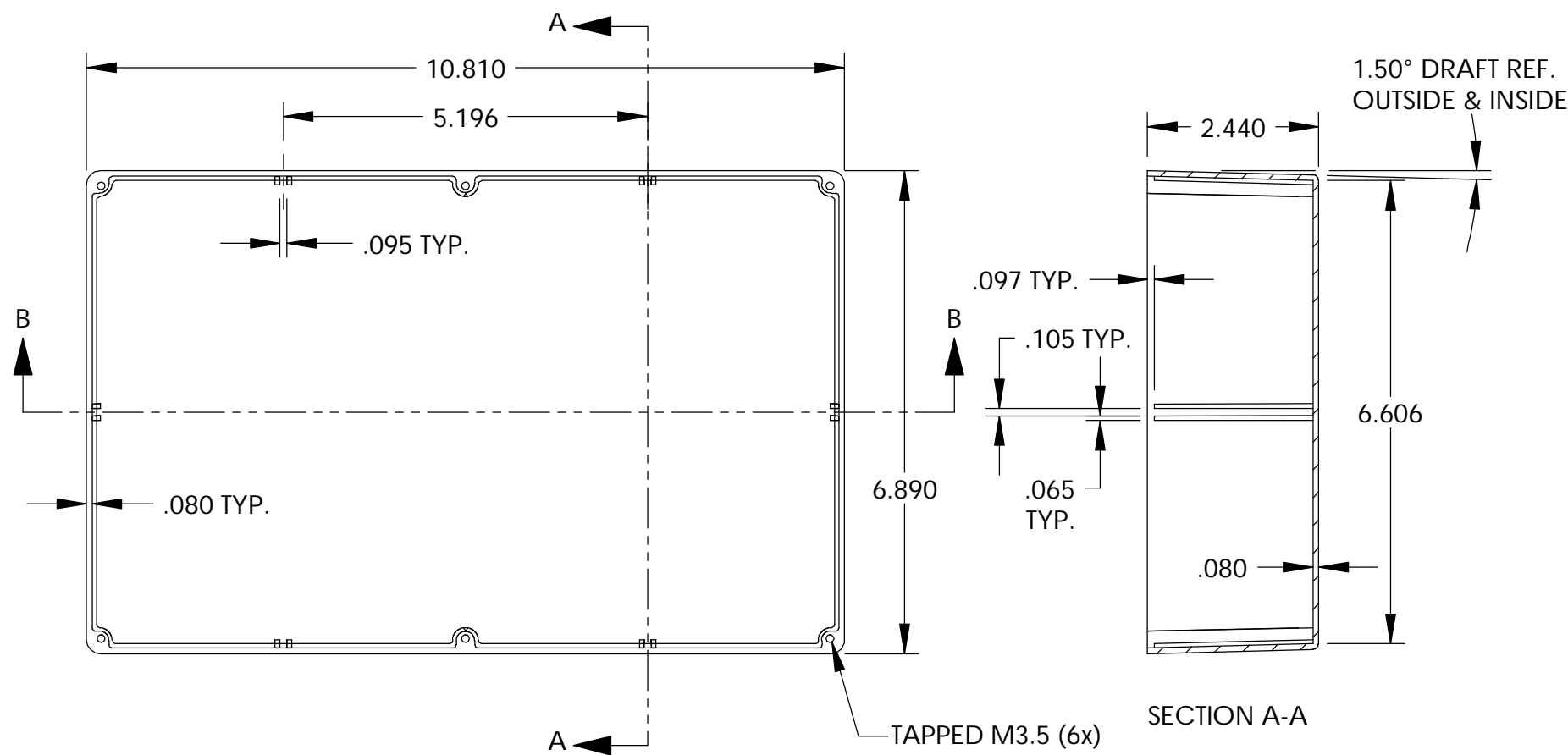
DWG. NO.	CN-5714
ISSUE	REVISIONS

MATERIAL - ALUMINUM ALLOY #ADC-12
 FINISH - NATURAL (CONTACT BUD FACTORY FOR ALTERNATE FINISHES)
 GASKET - RATED IP65 NEOPRENE, SELF-ADHESIVE, 3mm THICK, COLOR BLACK
 SCREWS - STAINLESS STEEL, M3.5 x 12mm LG., CSK. HEAD, SELF-THREADING

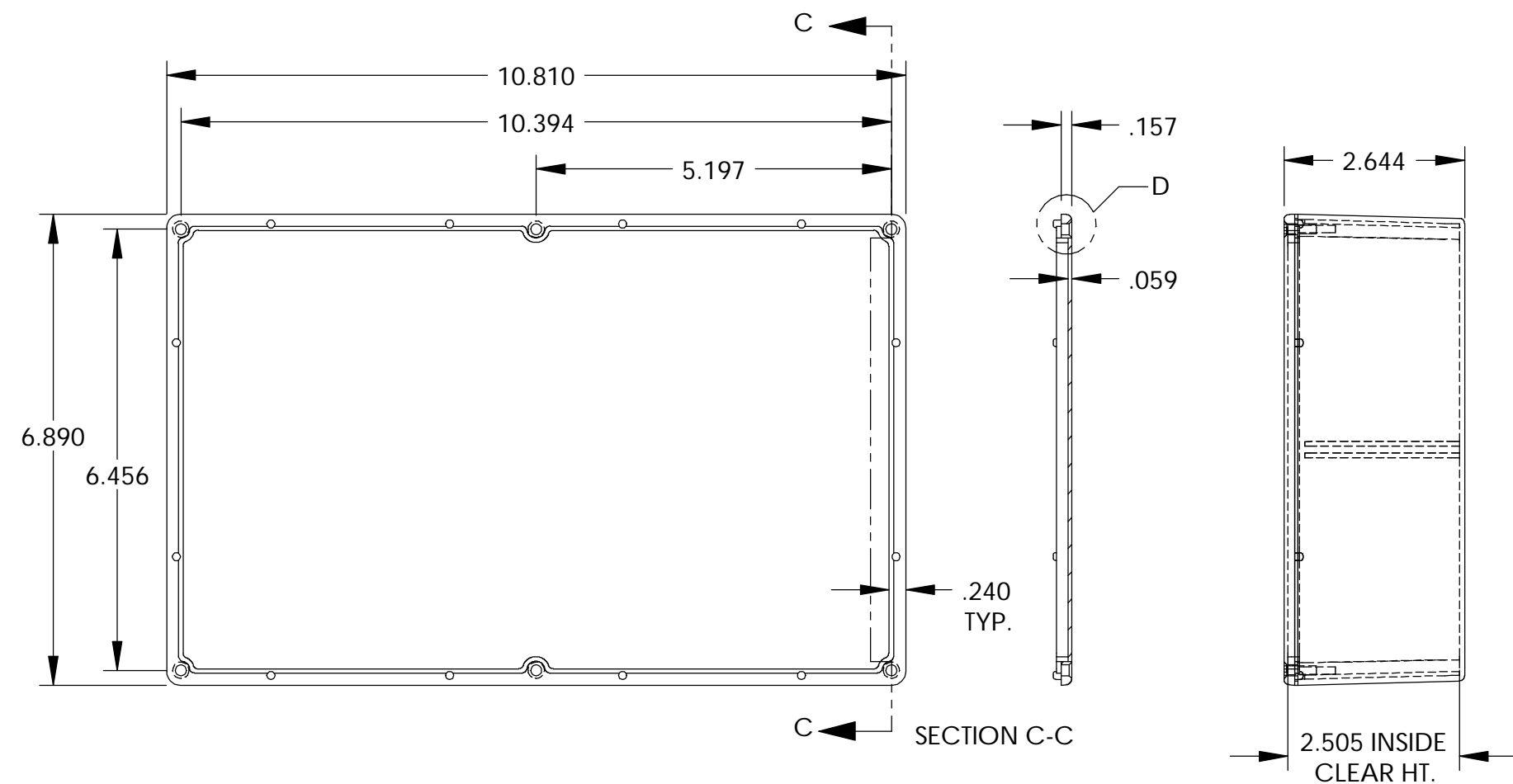
ALL HOLE DIAMETERS HAVE ±.005 TOLERANCE.
 ALL OTHER DIMENSIONS HAVE ±.015 TOLERANCE.
 ENCLOSURES ARE SHIPPED UNASSEMBLED WITH ALL ITEMS SHOWN.



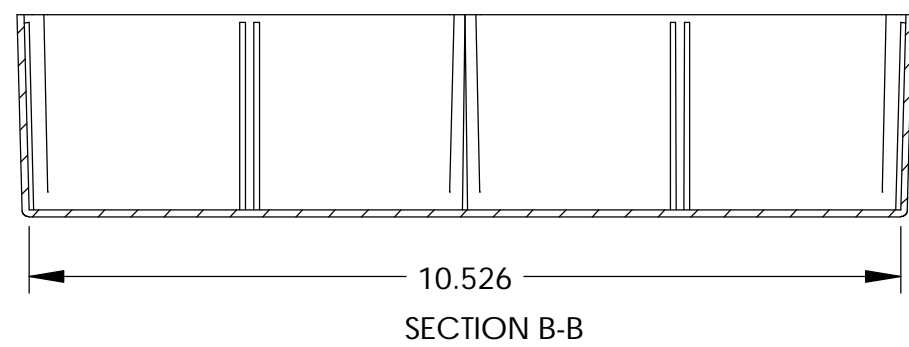
DETAIL D
SCALE 6 : 1



BODY



COVER



SECTION B-B

PARTS LIST	
+/- .005 BETWEEN HOLE CENTERS +/- .015 FROM SHEARED EDGE +/- .032 FROM A BENT SURFACE +/- .062 BETWEEN ASSEMBLED SURFACES UNLESS OTHERWISE SPECIFIED	CAD GENERATED DRAWING. DO NOT MANUALLY UPDATE
MATERIAL AS NOTED	APPROVALS DRAWN: DAB CHECKED: 3-31-06 APPROVED:
FINISH AS NOTED	DATE: 3-31-06
QTY. USED ON	DO NOT SCALE DRAWING
DWG. NO. CN-5714	REV.
SCALE	CAD FILE:
SHEET 1 OF 1	SHEET 1 OF 1

BUD INDUSTRIES INC.
DIE CAST ALUMINUM ENCLOSURE

QTY.	USED ON	DWG. NO.	CN-5714	REV.
		SCALE	CAD FILE:	