

EdgeLock Wire-to-Edge-Card Signal Connector

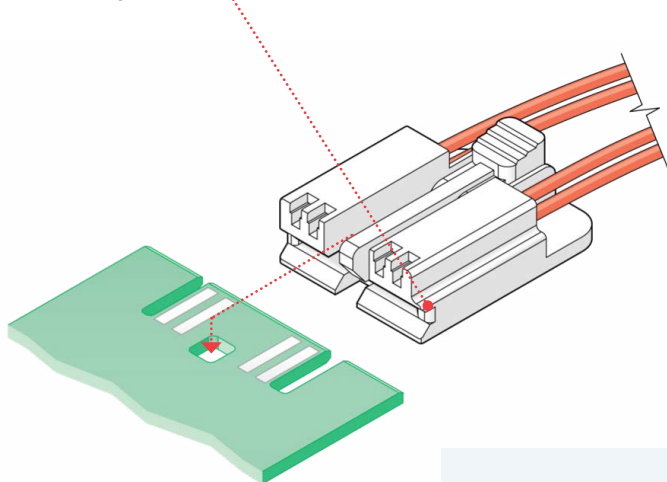
2.00mm Pitch, with Positive Lock

molex

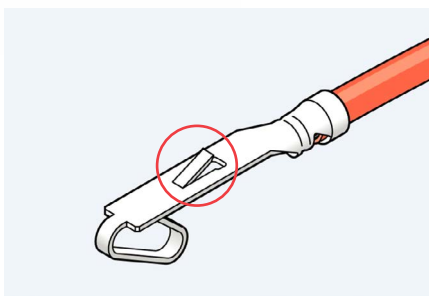
EdgeLock wire connectors offer space savings and positive locking for secure mating to PCB edge cards

Features and Benefits

Polarization rib on connector housing to prevent mis-mating to PCB



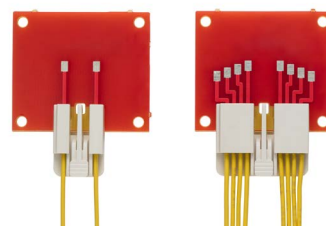
Drilled hole in PCB for assembly locking



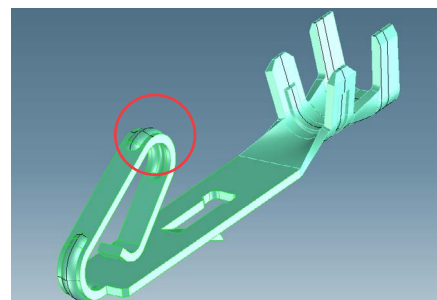
Locking feature on the reverse side of crimp terminal prevents accidental terminal withdrawal once inserted into the housing cavity



EdgeLock Housing – 2, 4, 6, 8-Circuit



Mated with PCB EdgeLock – 2, 8-Circuit



Dual cantilever crimp terminal design with embossed contact points offers greater normal force for long-term electrical reliability

Applications

Consumer/Home Appliances

- Fitness
- Home Appliances
- Home Entertainment
- HVAC

Industrial

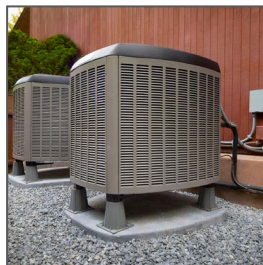
- Power(Power Supplies, UPS)
- Wire-to-Device

Solid State Lighting

- Indoor and Outdoor Lighting



Lighting



HVAC



Home appliances

EdgeLock Wire-to-Edge-Card Signal Connector

2.00mm Pitch, with Positive Lock

Specifications

REFERENCE INFORMATION

Packaging: Poly Bag(Housing), Reel(Terminal)
UL File No.: TBD
Terminal Used: Yes
Designed In: Millimeters
RoHS: Yes
Halogen Free: Yes
Glow Wire Compliant: No

ELECTRICAL

Voltage (max.): 125V
Current (max.): 3.0A (Phosphor Bronze)
Contact Resistance: 30 milliohm
Dielectric Withstanding Voltage: 1,000V
Insulation Resistance: 1,000 megaohm

MECHANICAL

Contact Insertion Force: 9.80N Max
Contact Retention to Housing: 9.80N Max
Insertion Force to PCB: 5.0N Max
Durability (Max): 30Cycles

PHYSICAL

Positive Locking Housing: 2, 4, 6, 8-Circuit
Pitch: 2.00mm
Plating: Tin-plated
PCB Thickness: 1.20mm, 1.60mm
Operating Temperature: -40 to +105°C
Flammability Rating: UL 94 V-0
Housing Material: PA46
Terminal Material: Phosphor Bronze

Ordering Information

Series No.	Component	PCB Thickness
200890	Housing	1.20mm
200890	Housing	1.60mm
200449	Crimp Terminal	-

www.molex.com/link/edglock.html

Molex is a registered trademark of Molex, LLC in the United States of America and may be registered in other countries; all other trademarks listed herein belong to their respective owners.