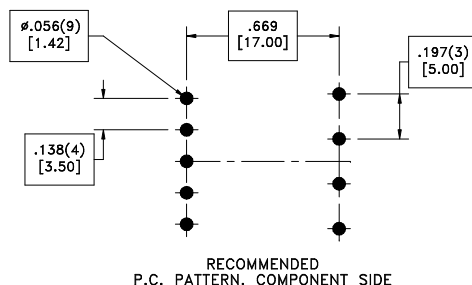
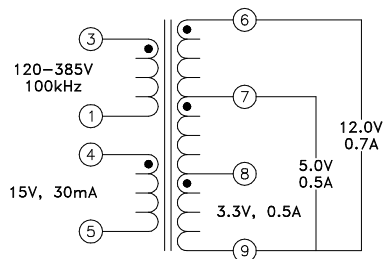
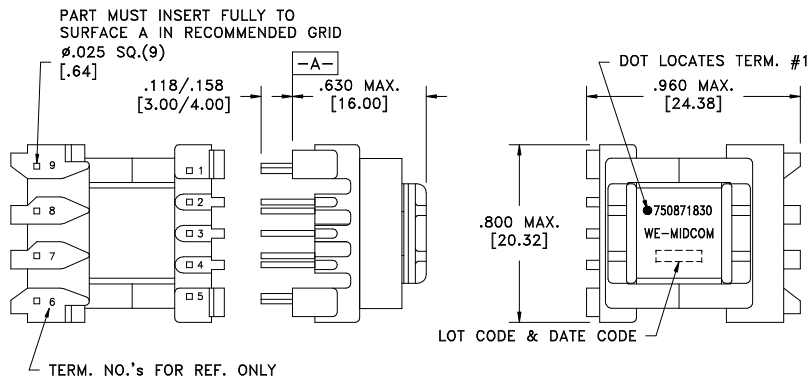


| | | |
|-------------------|------|---------------|
| CUSTOMER TERMINAL | RoHS | LEAD(Pb)-FREE |
| Sn96%, Ag4% | Yes | Yes |

more than you expect



ELECTRICAL SPECIFICATIONS @ 25°C unless otherwise noted:

| PARAMETER | TEST CONDITIONS | VALUE |
|--------------------|---|--------------------------|
| D.C. RESISTANCE | 3-1 @20°C | 4.02 ohms max. |
| D.C. RESISTANCE | 8-9 @20°C | 0.013 ohms max. |
| D.C. RESISTANCE | 6-7 @20°C | 0.047 ohms max. |
| D.C. RESISTANCE | 7-8 @20°C | 0.018 ohms max. |
| D.C. RESISTANCE | 4-5 @20°C | 0.770 ohms max. |
| INDUCTANCE | 3-1 10kHz, 100mVAC, Ls | 900.0uH ±10% |
| SATURATION CURRENT | 20% rolloff from initial | 925mA |
| LEAKAGE INDUCTANCE | 3-1 tie(4+5, 6+7+8+9), 10kHz, 100mVAC, Ls | 23.0uH typ., 29.0uH max. |
| DIELECTRIC | 1-9 tie(3+4), 4500VAC, 1 second | - |
| DIELECTRIC | 1-5 1500VAC, 1 second | - |
| URNS RATIO | (3-1):(4-5) | 6.62:1, ±1% |
| URNS RATIO | (4-5):(6-7) | 2:1, ±1% |
| URNS RATIO | (4-5):(7-8) | 8:1, ±1% |
| URNS RATIO | (4-5):(8-9) | 4:1, ±1% |

GENERAL SPECIFICATIONS:

OPERATING TEMPERATURE RANGE: -40°C to +125°C including temp rise.

Designed to comply with the following requirements as defined by IEC61558-2-17:
 - Reinforced insulation for a primary circuit at a working voltage of 400VDC.

| | | | | | | |
|------|------|--|----------------------|--|-------------------------------------|------------------------------|
| REV. | DATE | Packaging Specifications Method: Tray PKG-0058 www.midcom-inc.com | | Tolerances unless otherwise specified: Angles: ±1° Decimals: ±.005 [.13] Fractions: ±1/64 Footprint: ±.001 [.03] | DRAWING TITLE TRANSFORMER | PART NO. 750871830 |
| 6B | 5/10 | | CONVENTION PLACEMENT | This drawing is dual dimensioned. Dimensions in brackets are in millimeters. | eiSos p/n: 750871830 | compliant |
| 6A | 2/10 | SEE REVISION SHEET FOR REVISION LEVEL | | | | SPECIFICATION SHEET 1 OF 1 |