

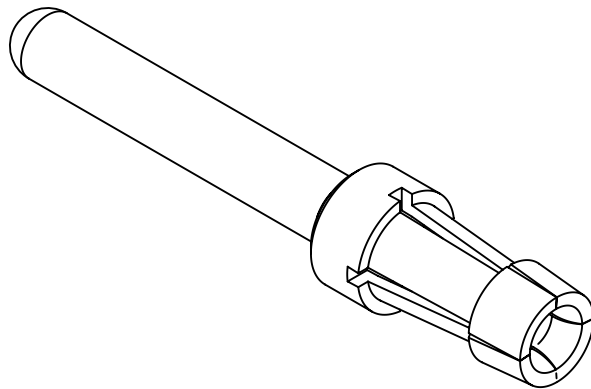
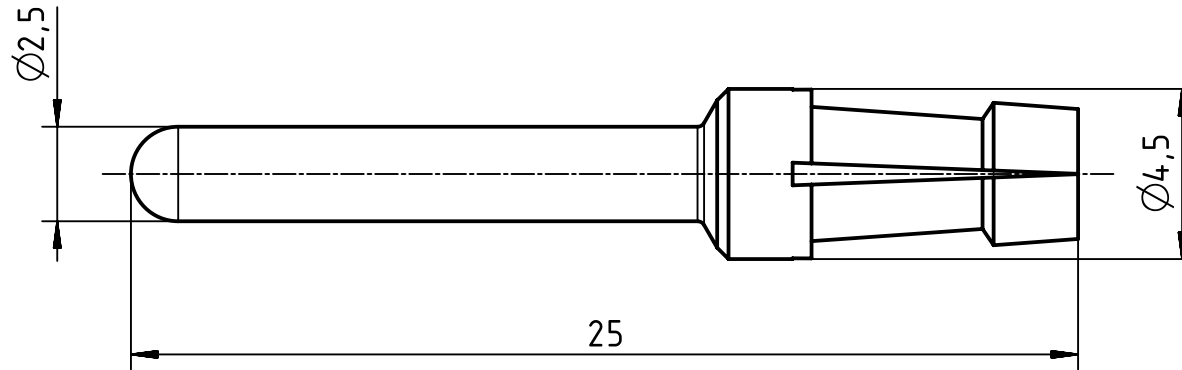
1 2 3 4 5 6

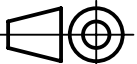

A

B

C

D



 All Dimensions in mm Original Size DIN A4	Scale	Free size tol.			Ref.
	5:1				Sub.
 All rights reserved Department EL PD - DE	Created by	Inspected by	Standardisation	Date	State
	FINKEV	RIEPE	SCHMIDTM	2016-06-29	Final Release
HARTING Electric GmbH & Co. KG D-32339 Espelkamp	Title				Doc-Key / ECM-Nr.
	Han E HMC twin contact M for PCB-adapter				100678203/UGD/004/A 500000105983
Type		Number		Rev.	Page
TB		09 33 200 6180		A	1/1