

MICRO SWITCH

A DIVISION OF HONEYWELL-ROBERTS COMPANY
FED. MFR. CODE 91929

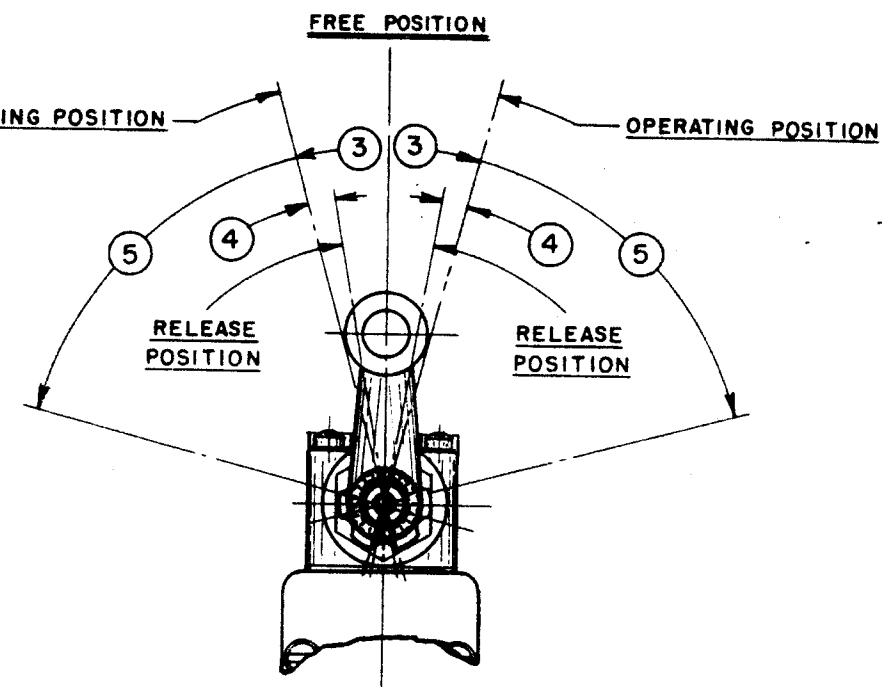
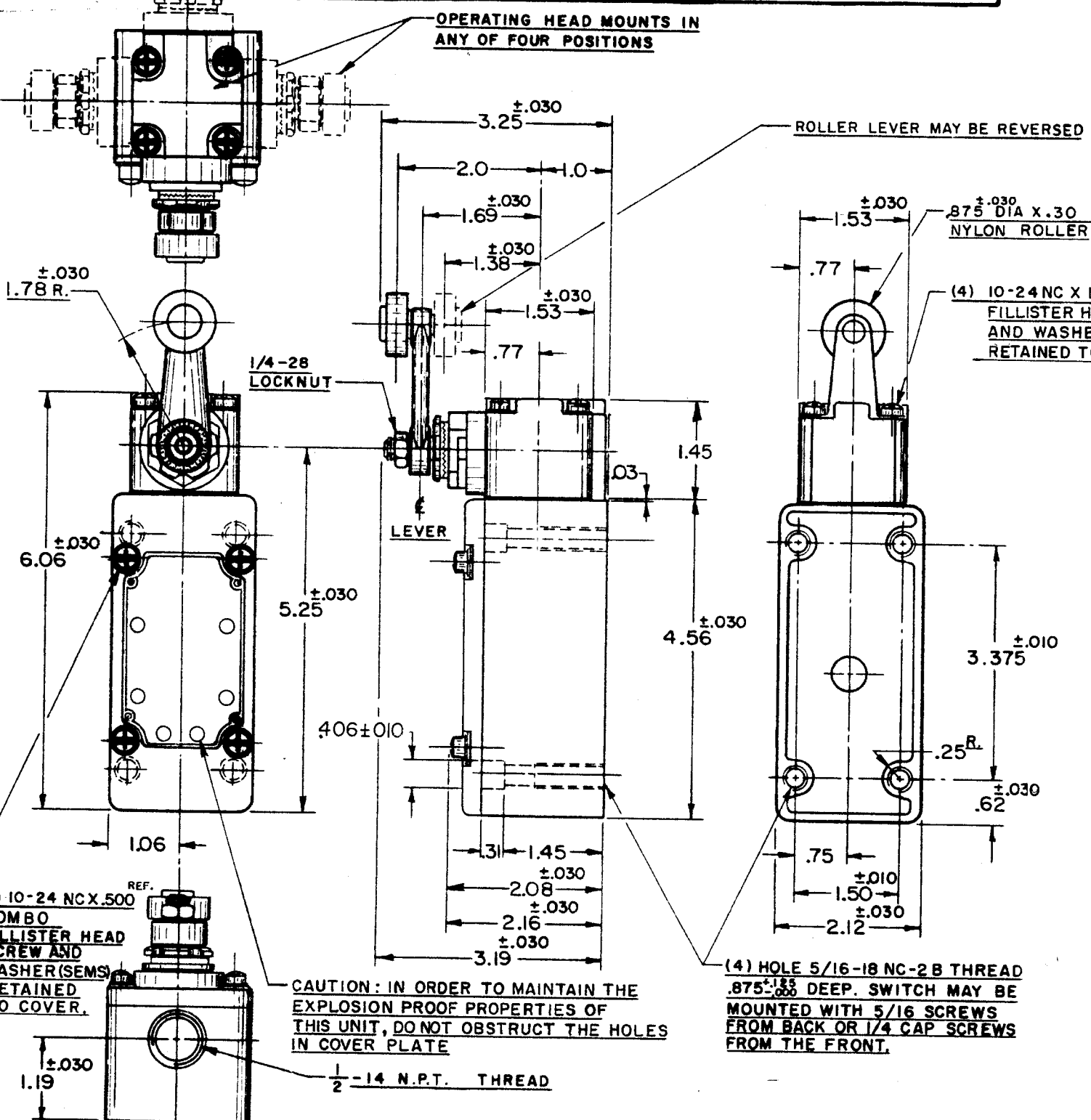
SWITCH - ENCLOSED

CATALOG LISTING
51ML1-E1

THIS DRAWING COVERS A PROPRIETARY ITEM AND IS THE PROPERTY OF MICRO SWITCH, A DIVISION OF HONEYWELL. THIS DRAWING IS NOT TO BE COPIED OR USED WITHOUT THE APPROVAL OF MICRO SWITCH.



(M) 51ML1-E1 ISSUE 3
 REPLACES
51ML1-E1
 DRAWING NUMBER
M
 ISSUE
15
 RELEASE NO.
 CHECK K.F.M. 10 APR 58
 CHECK J.W.M. 10 APR 58
 CHECK G.C.H. 14 APR 58
 CHECK J.A.S. 11 NOV 85
 CHECK O.M.W. 13 MAR 58
 REVISIONS
 A CO11247 O.M.W. 13 MAR 58
 B CORR. O.M.W. MAY 58
 C CO12789 M.B.F. 19 MAY 58
 D CO13022 M.B.F. 13 AUG 58
 E CO18841 O.M.W. 5 NOV 64
 F CO20578 M.B.F. DEC 68
 G CO24575 M.B.S. 10 SEP 68
 H CO52194 G.J.W. 23 SEP 83
 J CO58367 J.A.S. 11 NOV 85
 K CO58051-C O.M.W. 13 MAR 58
 L CO63738
 M CO74287
 N CO74287



- NOTES**
- 1 - LISTED BY UNDERWRITERS LABORATORY, INC. FOR USE IN CLASS 1, GROUPS C AND D VAPOR - AIR ATMOSPHERE, AND CLASS 2 GROUPS E, F AND G DUST - AIR ATMOSPHERES
 - 2 - SWITCH IS ASSEMBLED FOR ACTUATION IN EITHER DIRECTION TO CONVERT SWITCH FOR ACTUATION EITHER IN THE CLOCKWISE OR THE COUNTERCLOCKWISE DIRECTION ONLY, REMOVE THE HEAD AND SLIDE THE CAN TOWARD THE REAR OF THE HEAD SUFFICIENTLY TO DISENGAGE FROM THE FLATS ON THE SHAFT. ROTATE THE CAM 90° IN THE OPPOSITE DIRECTION OF THE ACTUATION DESIRED AND RE-ENGAGE THE CAM WITH THE FLATS ON THE SHAFT LEVER MAY BE POSITIVELY LOCKED AT INTERVALS OF APPROX 0.4° (870 POSITIONS)
 - 3 - LEVER MAY BE ADJUSTED TO ACTUATE THE SWITCH IN THE CLOCKWISE DIRECTION ONLY, THE COUNTER-CLOCKWISE DIRECTION ONLY, OR IN BOTH DIRECTIONS
 - 4 - IT IS ESSENTIAL THAT THE CONDUIT OPENING BE PROPERLY SEALED IN ORDER TO MAINTAIN THE EXPLOSION PROOF PROPERTIES

CHARACTERISTICS	
OPERATING FORCE	-----3 LBS. MAX.
FULL OVERTRAVEL FORCE	-----4 LBS. MAX.
RELEASE FORCE	-----1/4 LB. MIN.
PRETRAVEL	-----③-----12° MAX.
DIFFERENTIAL TRAVEL	-----④-----4° MAX.
OVERTRAVEL	-----⑤-----60° MIN.
SWITCH-BASIC REPLACEMENT	-----IMKI

ELECTRICAL DATA	
CONTACT ARRANGEMENT	S. P. D. T.
(C)	20A-120, 240 OR 480 VAC; 3/4 H.P.-120 VAC
(D)	1 1/2 H.P.-240 VAC; 1/2 A-115 VDC; 1/4 A-230 VDC
	PILOT DUTY; 720VA-HEAVY DUTY
	600 VAC MAX

SCALE 1/2 TO 1	
DO NOT SCALE PRINT	
UNLESS OTHERWISE SPECIFIED	
DIMENSIONS ARE IN INCHES	
TOLERANCES ARE:	
ONE PLACE (.0)	±.030
TWO PLACE (.00)	±.015
THREE PLACE (.000)	±.008
ANGLES	±
WEIGHT	

