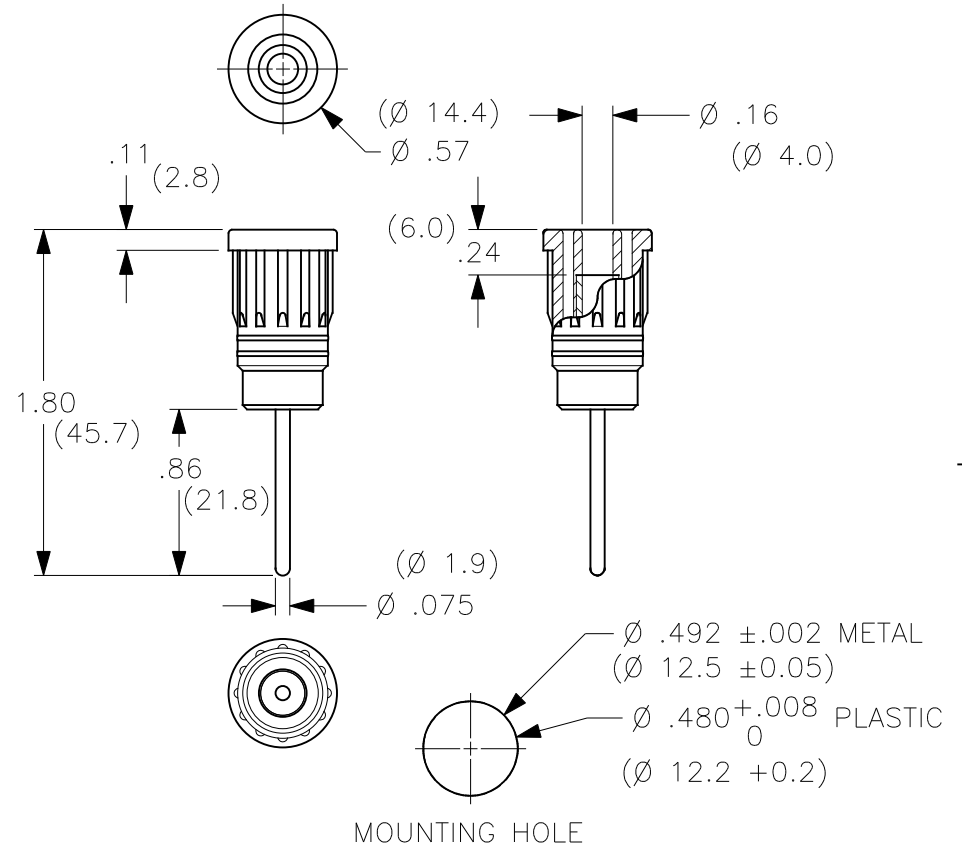


THIS IS ISSUED IN STRICT CONFIDENCE THAT IT IS NOT USED AS A BASIS FOR MANUFACTURE OR SALE AND THAT IT IS NOT COPIED, REPRINTED OR DISCLOSED TO A THIRD PARTY EITHER WHOLLY OR IN PART WITHOUT THE PRIOR WRITTEN CONSENT OF CAL TEST ELECTRONICS, INC.

- PUSH-IN SAFETY SOCKET w/1.9mm X 21mm SHORT PIN.
- SPECIFICATIONS:
INSULATOR: POLYAMIDE (NYLON)
CONTACT: BRASS, NICKEL PLATED
- RATING:
VOLTAGE: 1,000 V CAT III/600 V CAT IV P2 (IEC 61010-031)
CURRENT: 36A MAX.
RESISTANCE: <5mΩ.
TEMPERATURE: -20° C TO +80° C.
- MOUNTING HOLE: REF. DIAGRAM.
- SUGGESTED PANEL THICKNESS FOR PRESS-FIT SUPPORT:
PLASTIC: >0.080" (2)
METAL: >0.062" (1.5)

REVISIONS			
REV.	DESCRIPTIONS	DATE	APPROVED
—	CLASS A RELEASED	7/12/99	
A	BODY CONFIGURATION CHANGE; DIM. 1.80 WAS 1.77; ADDED NOTE 5.	3/1/05	



PART NUMBER

CT2913-#

- COLOR:
- 0 - BLACK
 - 1 - BROWN
 - 2 - RED
 - 3 - ORANGE (CUSTOM)
 - 4 - YELLOW
 - 5 - GREEN
 - 6 - BLUE
 - 7 - PURPLE
 - 8 - GRAY
 - 9 - WHITE

THIRD ANGLE PROJECTION		UNLESS OTHERWISE SPECIFIED DIMENSIONS ARE IN INCHES TOLERANCES ARE: FRACTIONS DECIMALS ± 1/32 .XX ± .02 .XXX ±.005 DO NOT SCALE DRAWING	CONTRACT NO.		Cal Test Electronics 22820 Savi Ranch Parkway Yorba Linda, CA 92887-4610			
			APPROVALS	DATE	TITLE			
NEXT ASSY		MATERIAL	DRAWN	7/12/99	4mm PUSH-IN SAFETY SOCKET, w/1.9mm LONG PIN			
USED ON		FINISH	CHECKED		SIZE	CAGE CODE	DWG. NO.	REV.
APPLICATION			ENGR.		A	43F45	P291300	A
			DESIGN ACTIVITY		SCALE	1:1	SHEET	1 OF 1