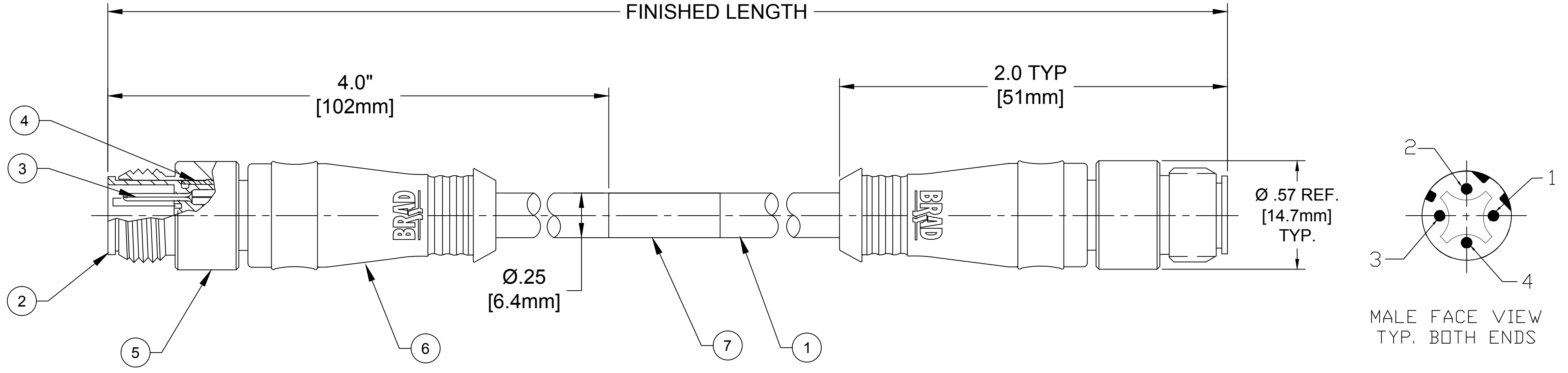
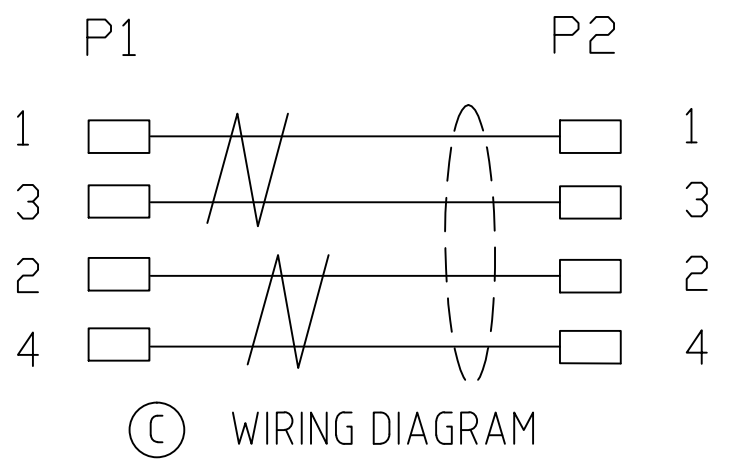


PART NO.	ENGINEERING NO.	FINISHED LENGTH
1201080408	E11A06005M003	0.3M [11.8"]
1201080188	E11A06005M010	1.0M [3'3"]
1201088089	E11A06005M100	10.0M [32'10"]

CABLE LENGTH TOLERANCES	
>.3M [1FT]:	+19mm-0 [+ .75in-0]
.3 - .9M [1 - 3FT]:	+44.5mm-0 [+1.75in-0]
.9 - 1.8M [3 - 6FT]:	+55.6mm-0 [+2.19in-0]
1.8 - 3.7M [6 - 12FT]:	+88.9mm-0 [+3.50in-0]
3.7 - 7.3M [12 - 24FT]:	+165.1mm-0 [+6.50in-0]
7.3-14.6M [24 - 48FT]:	+317.5mm-0 [+12.50in-0]
14.6 - 30.5M [48-100FT]:	+622.3mm-0 [+24.50in-0]
OVER 30M [100FT]	+2% OF FINISHED LENGTH



- NOTES:**
1. MATERIAL: AS NOTED
  2. FINISH: AS NOTED
  3. ELECTRICAL:  
VOLTAGE: 30V  
CURRENT: 1.5A
  4. TEMP RATING: -20° TO +75°C
  5. PROTECTION: IP67 (WHEN MATED)
  6. COUPLING THREAD: M12 X 1
  7. UL CERTIFIED FILE: E200650
  8. ALL DIMS ARE FOR REFERENCE UNLESS NOTED OTHERWISE



**PART NUMBER LEGEND**  
E11A06005M003

FINISHED LENGTH:  
M003= 0.3 METER  
M010= 1 METER  
M100= 10 METER

ITEM	DESCRIPTION	MATERIAL	FINISH
7	WRAP LABEL	VINYL	BLACK/YELLOW
6	OVERMOLD	PBT	GRAY
5	COUPLING NUT	BRASS	NICKEL PLATED
4	SHIELD HOUSING	BRASS	NICKEL PLATED
3	CONTACT PIN	COPPER ALLOY	GOLD PLATED
2	MALE INSERT, D-CODE	PUR	BLACK
1	CABLE, 2 PAIR, 26AWG, SHLD	TPE JACKET	TEAL

REDRAWN PER LATEST STD. EC NO: IFC2019-0111 DRWN: RSTONE 9/19/18 CHKD: C HRAS 2018/09/21 APPR: BWOODMAN2013/10/16	QUALITY SYMBOL ▽=0 Ⓒ=0	GENERAL TOLERANCES (UNLESS SPECIFIED)		DIMENSION STYLE IN/MM	SCALE NTS	DESIGN UNITS INCH	THIRD ANGLE PROJECTION
		4 PLACES ±--- ±--- 3 PLACES ±--- ±.020 2 PLACES ±0.13 ±.010 1 PLACE ±0.3 ±.005	mm INCH ±--- ±--- ±0.13 ±.010 ±0.3 ±.005	DRAWN BY DATE GGUSTAFS 2013/09/12	CHECKED BY DATE BARDEN 2013/09/24	TITLE <b>M12 D-CODED CABLE ASSY          4P MALE/MALE ST/ST          #26/4 TEAL TPE</b>	
		ANGULAR ±.5°		APPROVED BY DATE BWOODMAN 2013/10/16	MOLEX INCORPORATED	SHEET NO. <b>1 OF 1</b>	
		DRAFT WHERE APPLICABLE MUST REMAIN WITHIN DIMENSIONS		MATERIAL NO. <b>SEE CHART</b>	DOCUMENT NO. <b>SD-120108-064</b>	THIS DRAWING CONTAINS INFORMATION THAT IS PROPRIETARY TO MOLEX INCORPORATED AND SHOULD NOT BE USED WITHOUT WRITTEN PERMISSION	