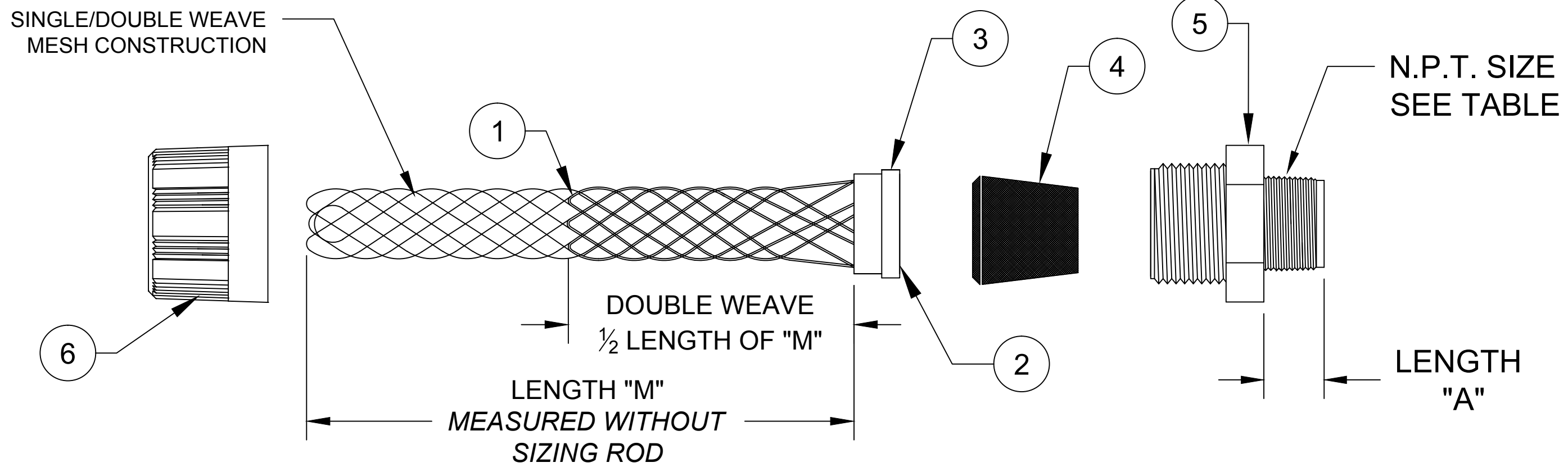
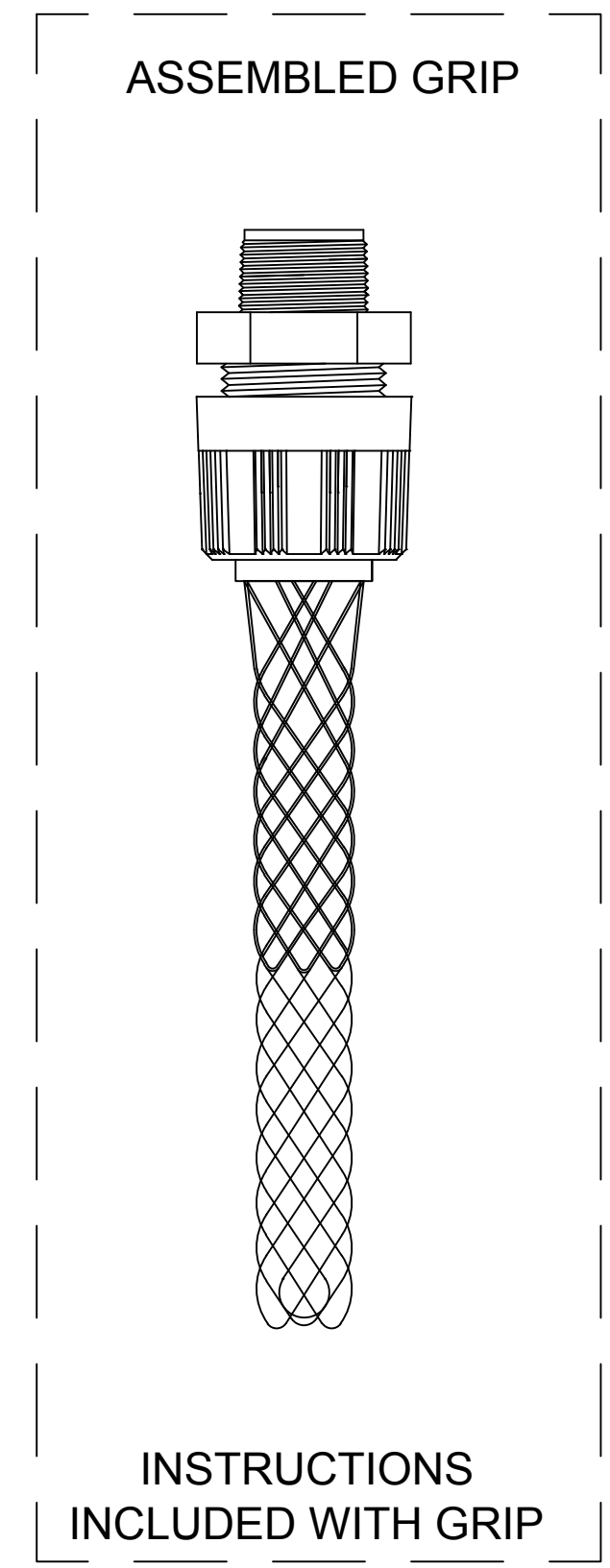


CATALOG NUMBER	MATERIAL NUMBER	CABLE RANGE	LENGTH "M"	N.P.T. FITTING SIZE	FORM SIZE	LENGTH "A" REF.	UL LISTED	CSA APPROVED
5522NM	1300990069	.187-.250 / 4.75-6.35	4.00±0.50 / 101.6±12.7	1/2	2	0.500 / 12.70	YES	YES
5524NM	1300990073	.250-.312 / 6.35-7.92	4.00±0.50 / 101.6±12.7					
5526NM	1300990077	.312-.375 / 7.92-9.53	4.00±0.50 / 101.6±12.7					
5528NM	1300990081	.375-.437 / 9.53-11.10	5.50±0.50 / 139.7±12.7					
5530NM	1300990085	.437-.500 / 11.10-12.70	5.50±0.50 / 139.7±12.7					
5620NM	1300990154	.187-.250 / 4.75-6.35	4.50±0.50 / 114.3±12.7	3/4	3	0.562 / 14.27	YES	YES
5622NM	1300990158	.250-.375 / 6.35-9.53	4.00±0.50 / 101.6±12.7					
5624NM	1300990162	.375-.437 / 9.53-11.10	5.50±0.50 / 139.7±12.7					
5536NM	1300990093	.437-.562 / 11.10-14.27	5.75±0.50 / 146.1±12.7					
5538NM	1300990097	.500-.625 / 12.70-15.88	6.50±0.50 / 165.1±12.7					
5540NM	1300990101	.562-.687 / 14.27-17.45	6.50±0.50 / 165.1±12.7	1	4	0.687 / 17.45	YES	YES
5542NM	1300990105	.625-.750 / 15.88-19.05	8.50±1.00 / 215.9±25.4					
5546NM	1300990111	.437-.562 / 11.10-14.27	5.75±0.50 / 146.1±12.7					
5548NM	1300990114	.500-.625 / 12.70-15.88	6.50±0.50 / 165.1±12.7					
5550NM	1300990117	.562-.687 / 14.27-17.45	8.50±1.00 / 215.9±25.4					
5552NM	1300990120	.625-.750 / 15.88-19.05	8.50±1.00 / 215.9±25.4					
5554NM	1300990124	.687-.812 / 17.45-20.62	8.50±1.00 / 215.9±25.4					
5556NM	1300990128	.750-.875 / 19.05-22.23	8.50±1.00 / 215.9±25.4					
5558NM	1300990132	.812-.937 / 20.62-23.80	8.50±1.00 / 215.9±25.4					
5560NM	1300990135	.875-1.000 / 22.23-25.40	8.50±1.00 / 215.9±25.4					



ITEM	DESCRIPTION	MATERIAL
1	WIRE MESH	POLYESTER (BLACK)
2	INNER RING	POLYETHYLENE TEREPHTHALATE (GRAY)
3	OUTER RING	POLYETHYLENE TEREPHTHALATE (GRAY)
4	GROMMET	NITRILE PVC
5	THREADED BODY	NYLON (GRAY)
6	COMPRESSION NUT	NYLON (GRAY)

RELEASE SALES DWG EC NO: IFCG2014-2088 DRWN: HRUIZ01 2014/10/01 CHKD: HKNEELAN 2014/10/01 APPR: JFMURPHY 2014/11/18	DESCRIPTION REV A	QUALITY SYMBOL	GENERAL TOLERANCES (UNLESS SPECIFIED) <table border="1"> <tr> <td></td> <td>mm</td> <td>INCH</td> </tr> <tr> <td>4 PLACES</td> <td>±---</td> <td>±---</td> </tr> <tr> <td>3 PLACES</td> <td>±---</td> <td>±.005</td> </tr> <tr> <td>2 PLACES</td> <td>±.13</td> <td>±.010</td> </tr> <tr> <td>1 PLACE</td> <td>±.25</td> <td>±.020</td> </tr> </table>		mm	INCH	4 PLACES	±---	±---	3 PLACES	±---	±.005	2 PLACES	±.13	±.010	1 PLACE	±.25	±.020	DIMENSION STYLE	SCALE	DESIGN UNITS	THIRD ANGLE PROJECTION STRAIN RELIEF MAX-LOC NON-METALLIC STRAIGHT MALE MOLEX INCORPORATED SHEET NO. 1 OF 1
				mm	INCH																	
		4 PLACES		±---	±---																	
		3 PLACES		±---	±.005																	
2 PLACES	±.13	±.010																				
1 PLACE	±.25	±.020																				
	INCH/MM	NTS	INCH																			
DRAWN BY DATE		TITLE																				
CHECKED BY DATE		APPROVED BY DATE																				
APPROVED BY DATE		MATERIAL NO.		DOCUMENT NO.																		
APPROVED BY DATE		SEE TABLE		SD-130099-005																		
DRAFT WHERE APPLICABLE MUST REMAIN WITHIN DIMENSIONS		SIZE C		THIS DRAWING CONTAINS INFORMATION THAT IS PROPRIETARY TO MOLEX INCORPORATED AND SHOULD NOT BE USED WITHOUT WRITTEN PERMISSION																		