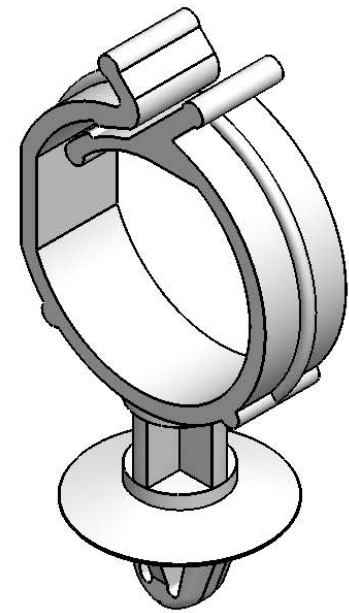
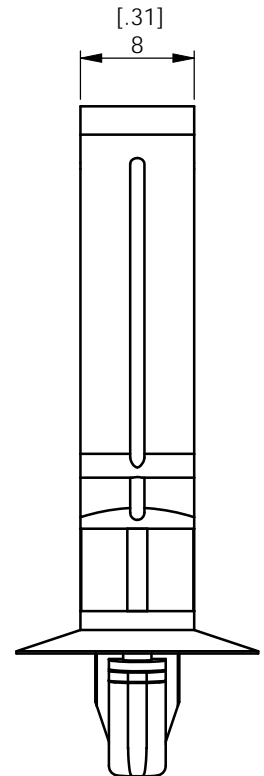
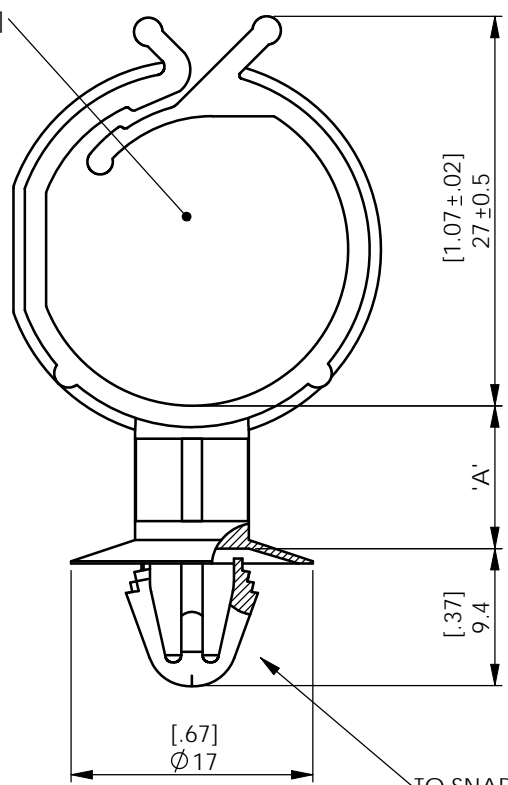


A B C D E F

REV.	MODIFICATION.	DATE	DRN
01	PRODUCTION RELEASE	10/07/08	OW
02	CO-2010413	30/09/08	OW
03	CO-2010451	22/10/08	TC

MAX CABLE BUNDLE DIA 22 [.87]



TO SNAP LOCK INTO A Ø6.5 - 7 [.256-.276] HOLE, INTO A 0.6 - 2 [.024-.079] THICK PANEL.

NOTES:  
 1) PARTS AVAILABLE IN NYLON 4/6 HEAT STABILISED MATERIAL (RMS-109) BY SPECIAL ORDER.  
 2) PARTS AVAILABLE IN COLOUR BLACK BY SPECIAL ORDER, ADD 'BK' TO THE END OF THE PART NUMBER. E.G. SCCB-1-19BK.

NYLON 6/6 UL94 V0 (RMS-19)	NYLON 6/6 UL94 V2 (RMS-01)	'A'
SCCB-6-19	SCCB-6-01	30 [1.18]
SCCB-5-19	SCCB-5-01	12 [.47]
SCCB-4-19	SCCB-4-01	10 [.39]
SCCB-3-19	SCCB-3-01	8 [.32]
SCCB-2-19	SCCB-2-01	6 [.24]
SCCB-1-19	SCCB-1-01	4 [.16]

INFORMATION CONTAINED IN THIS DOCUMENT IS CONFIDENTIAL TO RICHCO INTERNATIONAL Co. Ltd. AND MAY NOT BE DISCLOSED OR REPRODUCED IN WHOLE OR PART WITHOUT THEIR WRITTEN CONSENT.

**Richco**

METRIC PRIMARY UNITS:mm  
 IMPERIAL SECONDARY UNITS:[inches]  
 GENERAL TOLERANCES ±0.25 [0.010]  
 UNLESS OTHERWISE STATED  
 1 DECIMAL PLACE ±  
 2 DECIMAL PLACES ±  
 ANGULAR ±1°

THIRD ANGLE

MATERIAL: SEE TABLE COLOUR: NATURAL

DESCRIPTION: STANDOFF CABLE CLIP PART No: SEE TABLE

DRG No: 08-061 NPR No: 2007-435 Mass:(g) N/A SHEET SIZE A4

DRN OW DATE 03/12/07 CHKD SF DATE 03/12/07 SCALE NTS SHEET No. 1 OF 1

A B C D E F