



PART NAME

# EXTRUDED ALUMINUM IP65 PCB ENCLOSURES

PART No.

EXN-23360 (SEE TABULATION FOR COMBINATIONS)

REVISION DATE

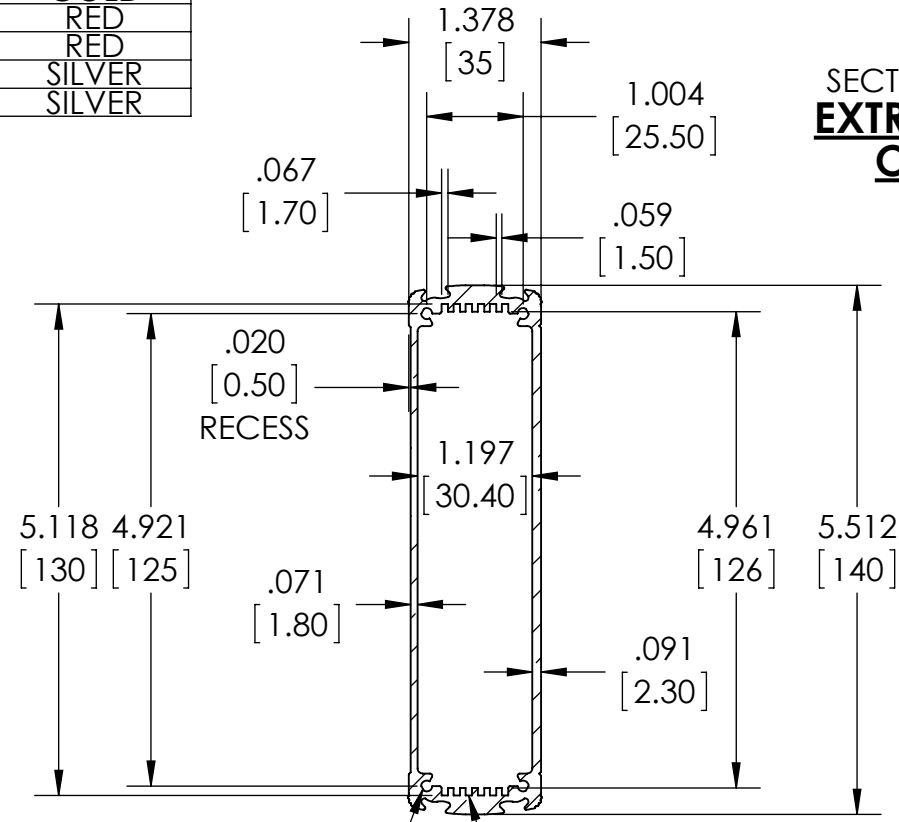
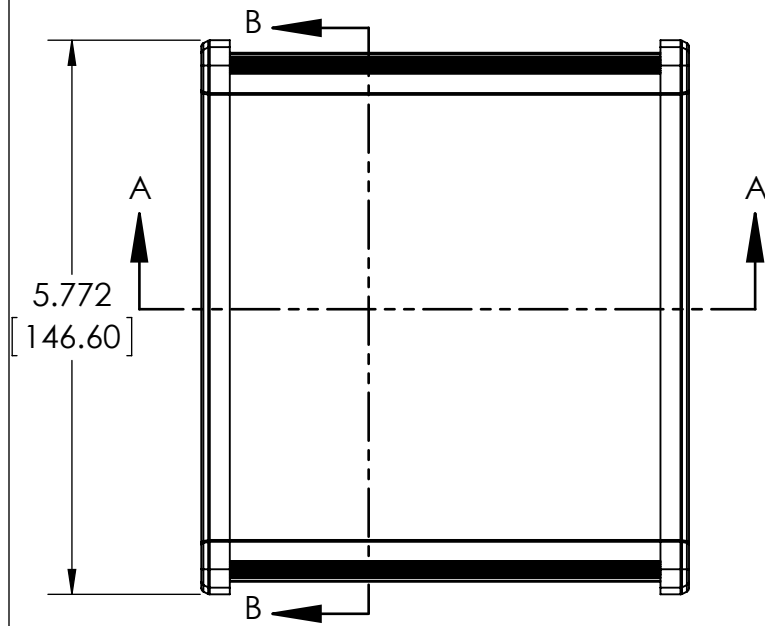
10-23-15

PART NUMBER	ALUM. COVER	PLASTIC COVER	BODY COLOR
EXN-23360-BK	BLACK	-	BLACK
EXN-23360-BKP	-	BLACK	BLACK
EXN-23360-BL	BLACK	-	BLUE
EXN-23360-BLP	-	TRANSLUCENT BLUE	BLUE
EXN-23360-GD	BLACK	-	GOLD
EXN-23360-GDP	-	CLEAR	GOLD
EXN-23360-RD	BLACK	-	RED
EXN-23360-RDP	-	IR RED	RED
EXN-23360-SV	BLACK	-	SILVER
EXN-23360-SVP	-	CLEAR	SILVER

MATERIAL: ALUMINUM EXTRUSION BODY PROVIDED WITH ALUMINUM COVER (2X) AND GASKETS OR POLYCARBONATE COVER (2X) AND GASKETS - NOT ASSEMBLED

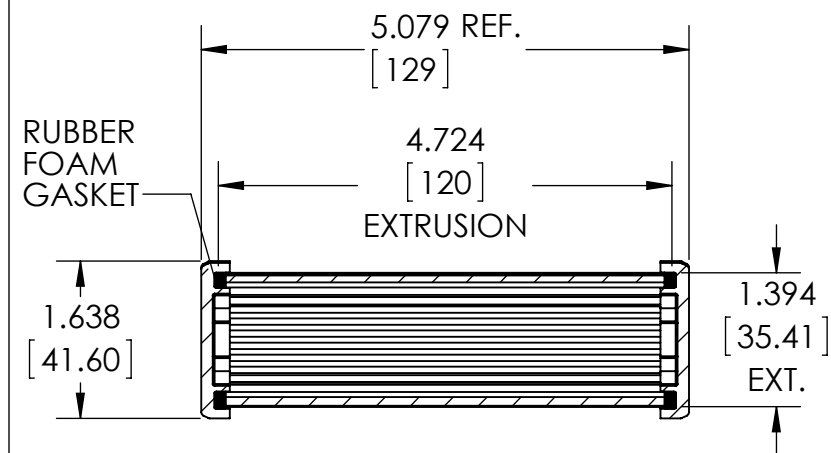
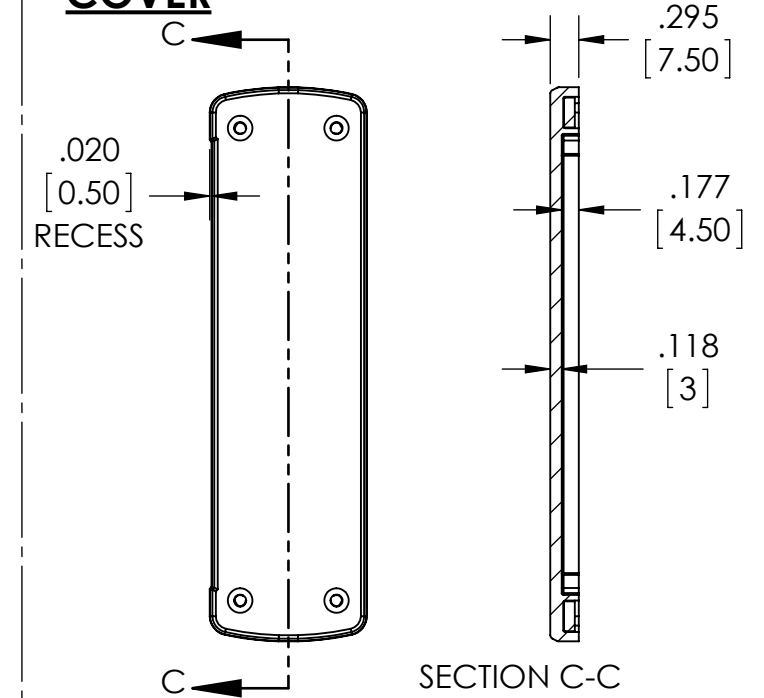
DIMENSIONS ARE INCH[MM]

**DRAWING FOR REFERENCE**  
WE RESERVE THE RIGHT TO MAKE CHANGES TO OUR STANDARD PRODUCTS. PLEASE CONSULT WITH BUD INDUSTRIES PRIOR TO USING THIS DRAWING FOR DESIGN PURPOSE.

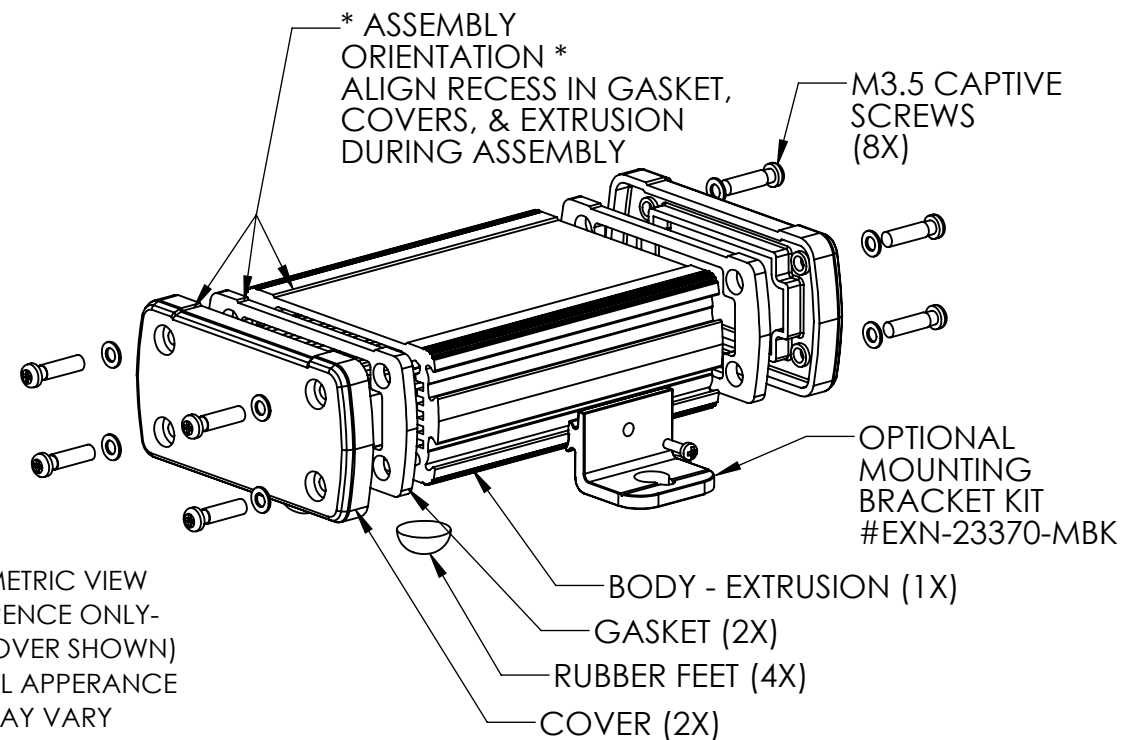


PRE-THREADED FOR M3.5 SCREW (4X)  
SLOTS FOR PCB #EXN-23407-PCB

### DIE CAST ALUMINUM COVER

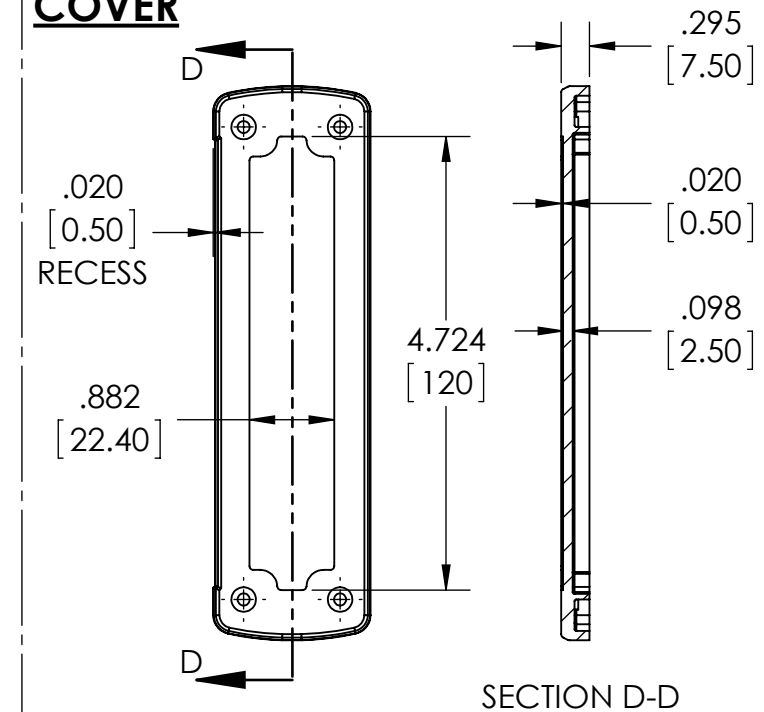


SECTION A-A  
SCALE 1 : 2  
DIMENSIONS MAY VARY DEPENDING ON THE COMPRESSION OF THE GASKETS



ISOMETRIC VIEW  
REFERENCE ONLY-  
(AL. COVER SHOWN)  
ACTUAL APPERANCE  
MAY VARY

### PLASTIC COVER



SECTION D-D