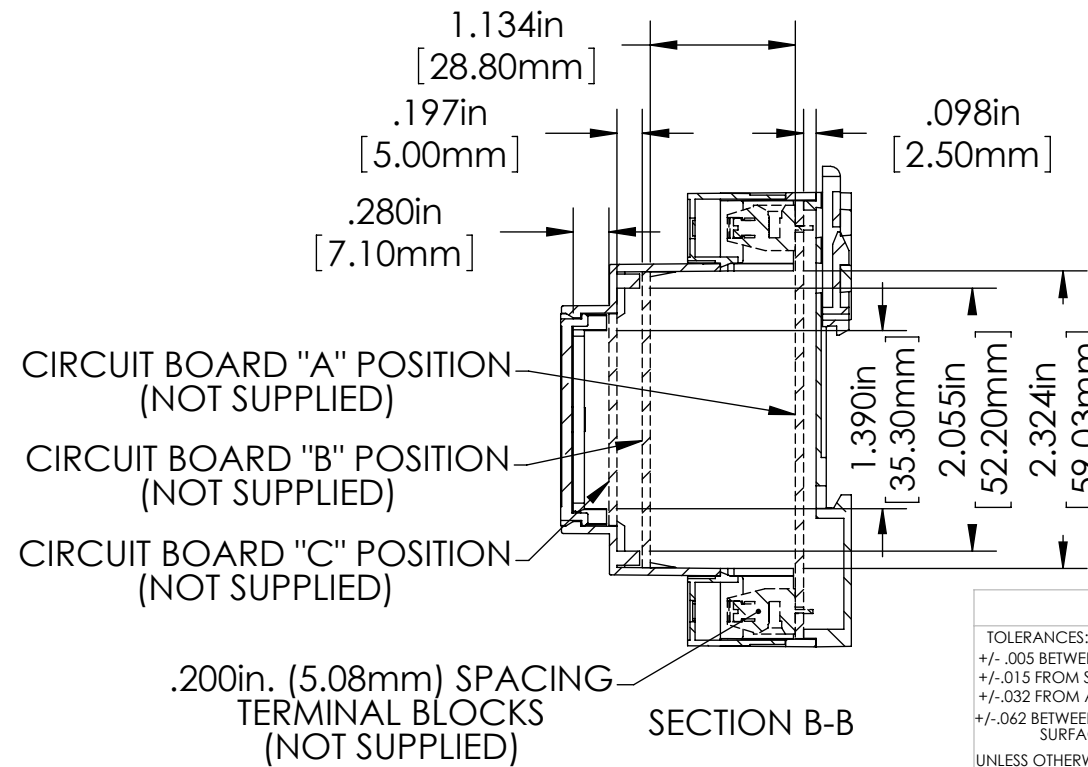
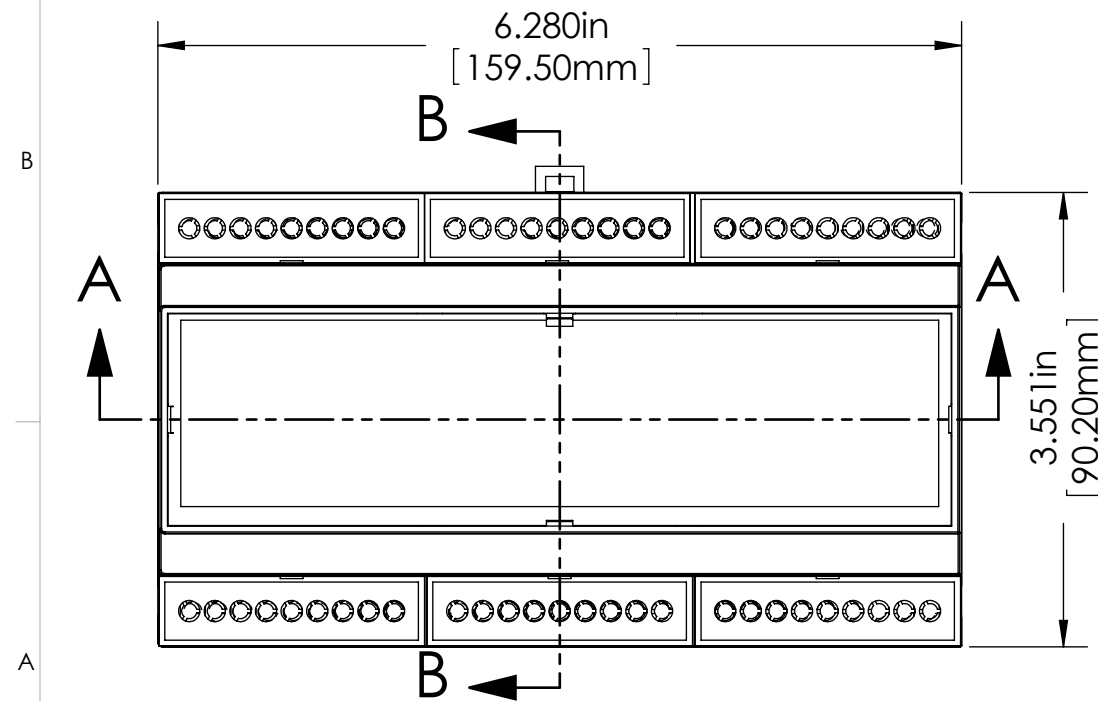
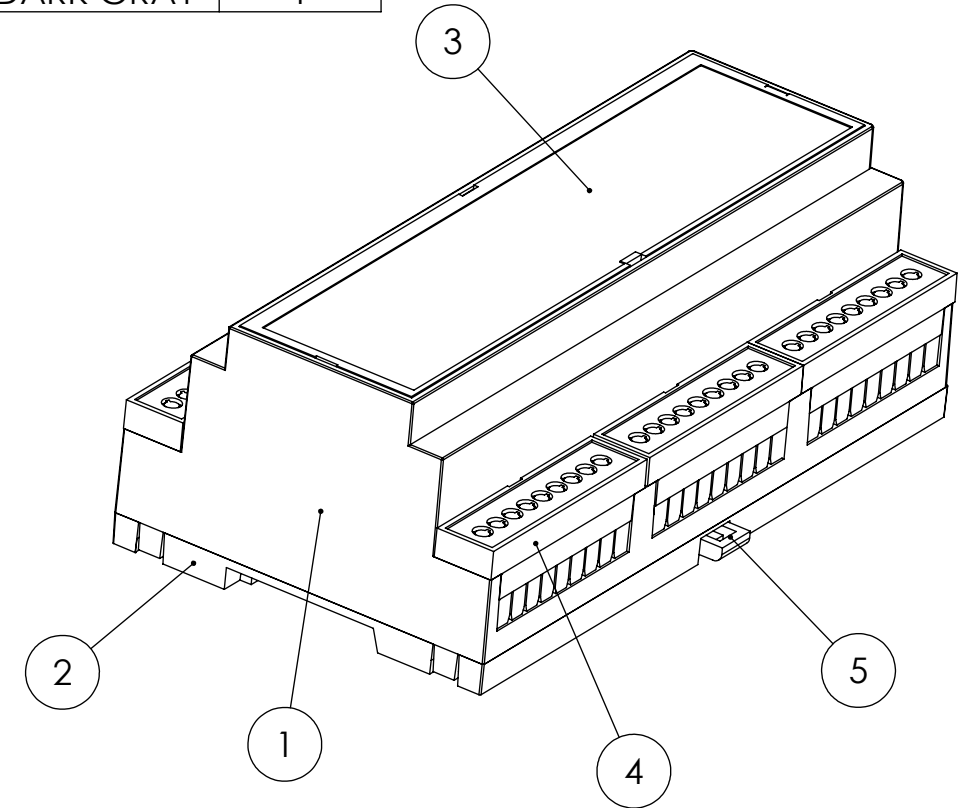
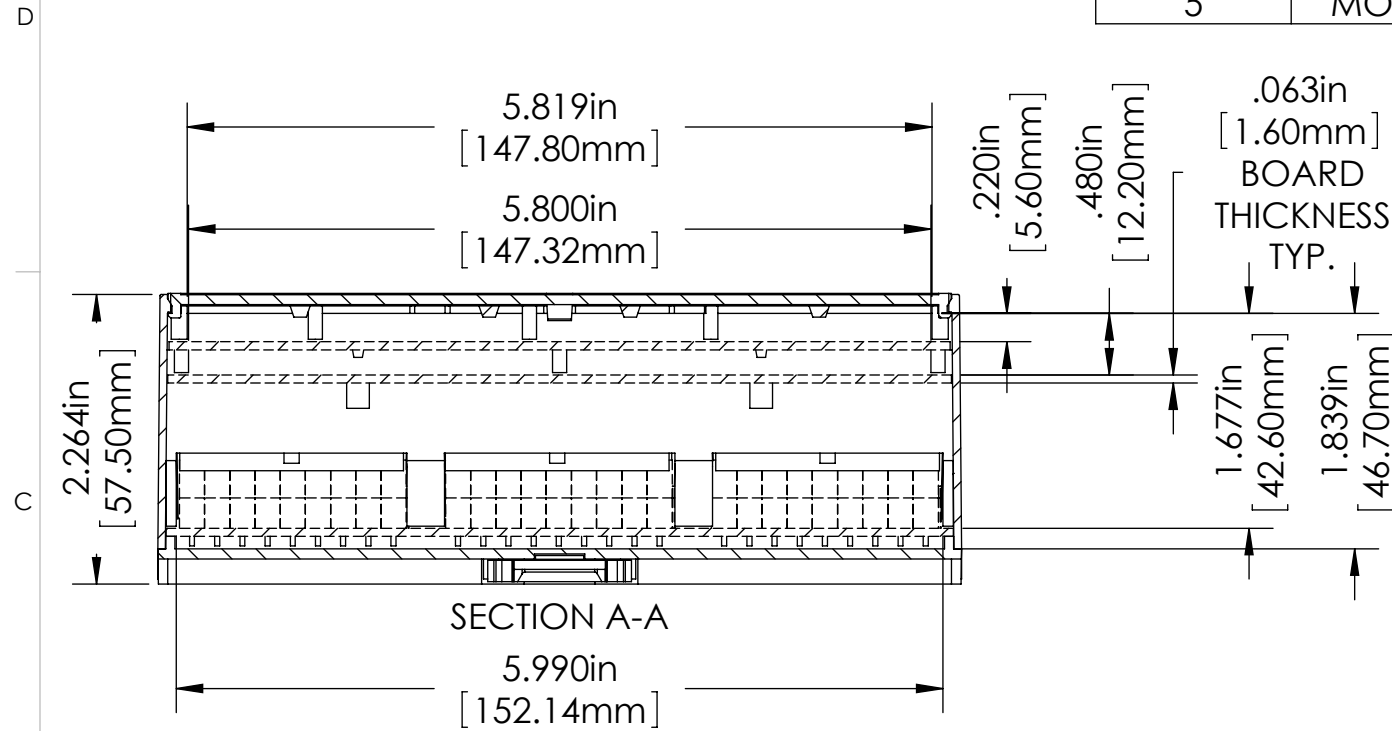


THE INFORMATION CONTAINED IN THIS DRAWING IS THE SOLE PROPERTY OF BUD INDUSTRIES INC. ANY REPRODUCTION IN PART OR WHOLE WITHOUT THE WRITTEN PERMISSION OF BUD INDUSTRIES INC. IS PROHIBITED.

ITEM NO.	DESCRIPTION	MATERIAL	COLOR	QTY.
1	BODY	PC/ABS UL94V-0	GRAY	1
2	BASE	PC/ABS UL94V-0	GRAY	1
3	COVER	PC/ABS UL94V-0	GRAY	1
4	GUARD	PC/ABS UL94V-0	GRAY	6
5	MOUNTING CLIP	NYLON 66	DARK GRAY	1

DWG. NO.	DMB-4774
ISSUE	REVISIONS
(A)	REVISIONS 12-7-10 DAB

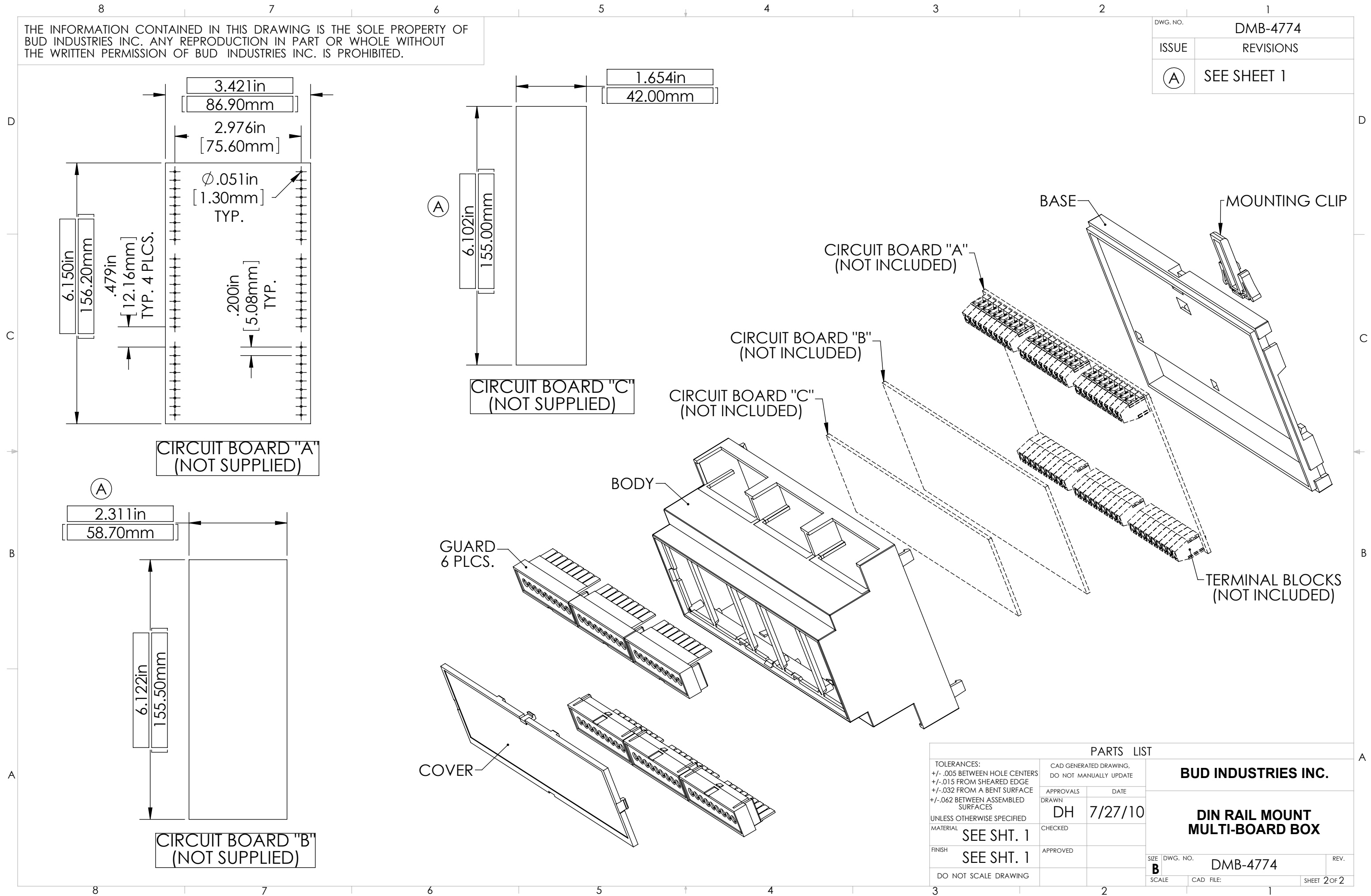


OPTIONAL ACCESSORIES / REPLACEMENT PARTS	PART NUMBER
CLEAR POLYCARBONATE COVER	DMB-4774-CC
INFRA-RED COVER	DMB-4774-IRC
TERMINAL GUARD (PACK OF 2)	DMB-4761-TG
MOUNTING CLIP	DMB-4764-MC

TOLERANCES:		PARTS LIST		BUD INDUSTRIES INC.
+/- .005 BETWEEN HOLE CENTERS	+/- .015 FROM SHEARED EDGE	CAD GENERATED DRAWING, DO NOT MANUALLY UPDATE	APPROVALS	
+/- .032 FROM A BENT SURFACE	+/- .062 BETWEEN ASSEMBLED SURFACES	UNLESS OTHERWISE SPECIFIED MATERIAL	DRAWN	7/27/10
FINISH	DO NOT SCALE DRAWING	AS NOTED	CHECKED	
		AS NOTED	APPROVED	
SIZE	DWG. NO.	SCALE		REV.
B	DMB-4774			
		SHEET		1 OF 2

THE INFORMATION CONTAINED IN THIS DRAWING IS THE SOLE PROPERTY OF  
 BUD INDUSTRIES INC. ANY REPRODUCTION IN PART OR WHOLE WITHOUT  
 THE WRITTEN PERMISSION OF BUD INDUSTRIES INC. IS PROHIBITED.

DWG. NO.	DMB-4774	
ISSUE	REVISIONS	
(A)	SEE SHEET 1	



TOLERANCES:		PARTS LIST	
+/- .005 BETWEEN HOLE CENTERS	CAD GENERATED DRAWING, DO NOT MANUALLY UPDATE	<b>BUD INDUSTRIES INC.</b>	
+/- .015 FROM SHEARED EDGE	APPROVALS		
+/- .032 FROM A BENT SURFACE	DRAWN	DH	7/27/10
+/- .062 BETWEEN ASSEMBLED SURFACES	CHECKED	<b>DIN RAIL MOUNT MULTI-BOARD BOX</b>	
UNLESS OTHERWISE SPECIFIED	APPROVED		
MATERIAL	SEE SHT. 1	SIZE	DWG. NO.
FINISH	SEE SHT. 1	<b>B</b>	DMB-4774
DO NOT SCALE DRAWING		SCALE	CAD FILE:
			SHEET 2 OF 2