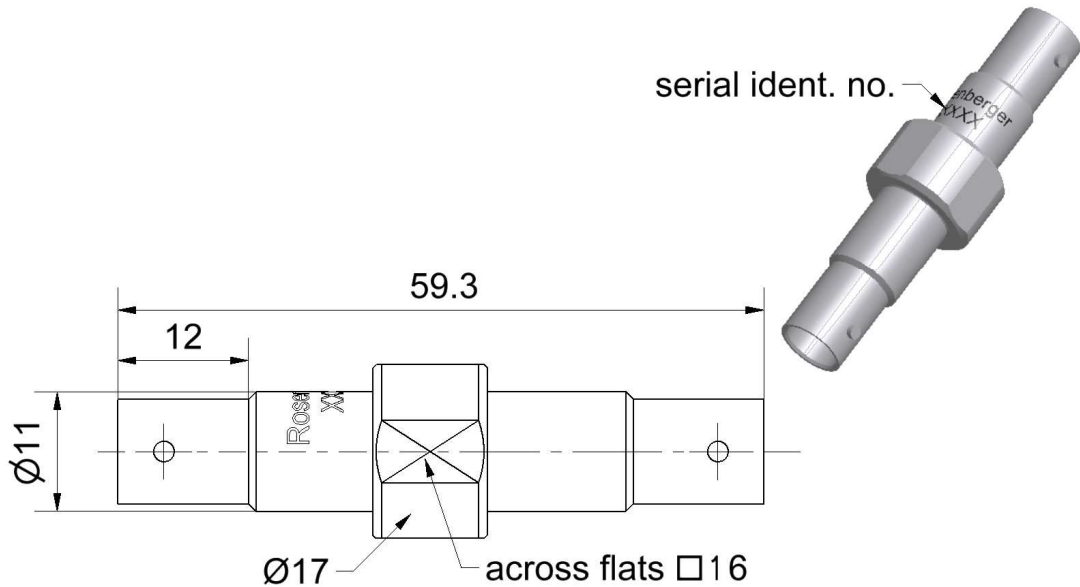


BNC  
75 Ω

Calibration Adaptor  
Jack/Jack

**71K121-K20S3**



All dimensions are in mm; tolerances according to ISO 2768 m-H

**Interface**

According to

IEC 61169-8, MIL-PRF-39012, CECC 22120

**Documents**

Application note

AN001 "Calibration Services"

**Material and plating**

**Connector parts**

Center conductor  
Outer conductor  
Dielectric

**Material**

CuBe  
Stainless steel  
PS

**Plating**

Gold, min. 1.27 µm, over nickel  
Passivated

Dieses Dokument ist urheberrechtlich geschützt • This document is protected by copyright • Rosenberger Hochfrequenztechnik GmbH & Co. KG

RF\_35/05.10/6.0

BNC  
75 Ω

Calibration Adaptor  
Jack/Jack

**71K121-K20S3**

**Electrical data**

Frequency range DC to 4 GHz  
Return loss ≥ 34 dB, DC to 2 GHz  
≥ 30 dB, 2 GHz to 4 GHz

**Mechanical data**

Mating cycles ≥ 500  
Gauge 5.21 mm to 5.28 mm

**General standard definition**

For proper operation the vector network analyzer (VNA) needs a model describing the electrical behaviour of this calibration standard. The different models, units, and terms used will depend on the VNA type and they will have to be entered into the VNA. All values are based on typical geometry and plating.

Offset  $Z_o$  / Impedance /  $Z_o$  75 Ω  
Offset Delay 148.569 ps  
Length (electrical) / Offset Length 44.54 mm  
Offset Loss 1.20 GΩ/s  
Loss 0.0103 dB/√GHz

**Environmental data**

Operating temperature range<sup>1</sup> +20 °C to +26 °C  
Rated temperature range of use<sup>2</sup> 0 °C to +50 °C  
Storage temperature range -40 °C to +85 °C

RoHS compliant

<sup>1</sup> Temperature range over which these specifications are valid.

<sup>2</sup> This range is underneath and above the operating temperature range, within the open circuit is fully functional and could be used without damage.

# Technical Data Sheet

# Rosenberger

BNC  
75 Ω

Calibration Adaptor  
Jack/Jack

## 71K121-K20S3

### Declaration of calibration options

#### Factory Calibration

Standard delivery for this calibration standard includes a Factory Calibration. The Calibration Certificate issued reports individual calibration results, **traceable to Rosenberger standards**, national / international standards are not available. Model based standard definitions are reported in an Agilent/Keysight, Rohde & Schwarz and Anritsu compatible VNA format.

#### Accredited Calibration

Not available.

*For further, more detailed information see application note AN001 on the Rosenberger homepage.*

### Calibration interval

Recommendation 12 months

### Packing

Standard 1 pce in box  
Weight 32 g/pce

While the information has been carefully compiled to the best of our knowledge, nothing is intended as representation or warranty on our part and no statement herein shall be construed as recommendation to infringe existing patents. In the effort to improve our products, we reserve the right to make changes judged to be necessary.

Draft	Date	Approved	Date	Rev.	Engineering change number	Name	Date
Marcel Panicke	18/08/14	Herbert Babinger	16.09.15	b00	14-1492	Maik Knoll	16.09.15

Rosenberger Hochfrequenztechnik GmbH & Co. KG P.O.Box 1260 D-84526 Tittmoning Germany <a href="http://www.rosenberger.de">www.rosenberger.de</a>	Tel. : +49 8684 18-0 Fax : +49 8684 18-1499 Email : <a href="mailto:info@rosenberger.de">info@rosenberger.de</a>	Page 3 / 3
--	--	---------------