

Model No: TC6FC00-04

Product Line: Tymphany

Rev: 1

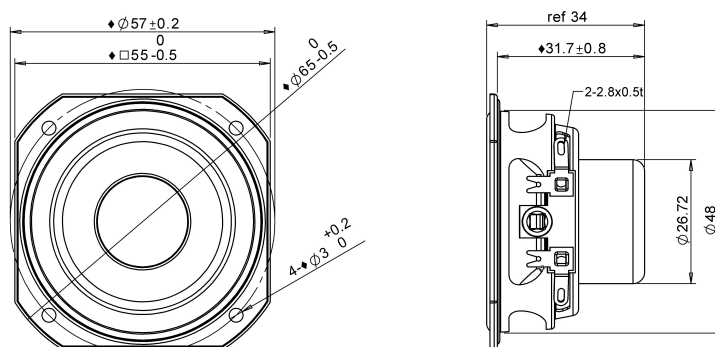
Last Update: 2015-08-27 18:51:30

## Product Description

This TC family 2 inch 4 ohm full-range driver, with neodymium magnet, paper cone and rubber surround, and steel basket, is designed to be a cost-effective high performance full range driver. The cone utilizes Tymphany-patented PentaCut NRSC cone technology to help dampen and control cone resonances, optimizing the listening experience. The motor contains a copper cap to lower inductance and distortion. The product was designed with portable and other compact applications in mind.



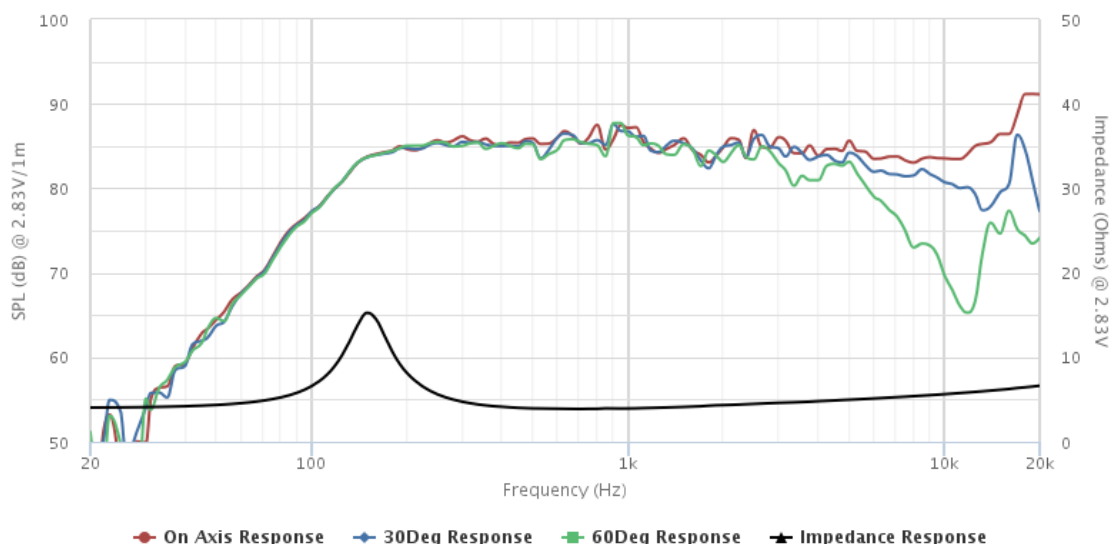
## Mechanical Drawing



## Specifications

DC Resistance	Revc	Ohms	3.43	5.0%	Energy Bandwidth Product	EBP	(1/Qes)*fs
Minimum Impedance	Zmin	Ohms	3.89	7.5%	Moving Mass	Mms	g
Voice Coil Inductance	Le	mH	0.03		Suspension Compliance	Cms	um/N
Resonant Frequency	Fs	Hz	186.8	15%	Effective Cone diameter	D	cm
Mechanical Q Factor	Qms		3.29		Effective Piston Area	Sd	cm <sup>2</sup>
Electrical Q Factor	Qes		1		Effective Volume	Vas	L
Total Q Factor	Qts		0.77		Motor Force Factor	BL	Tm
Ratio Fs/Qts	F	Fs/Qts	243.87		Motor Efficiency Factor	$\beta$	(T*M <sup>2</sup> )/Ohms
Half Space Sensitivity @2.83V	db@2.83V/1M	dB	86.34	+/- 1.0db	Voice coil former Material	VCfm	ASV
Half Space Sensitivity @1W/1M	db@1W/1M	dB	83.2	+/- 1.0db	Voice coil inner diameter	VCd	mm
Gap Height	Gh	mm	3		Rated Noise Power	P	W
Maximum Linear Excursion	Xmax	mm	1		Test Spectrum Bandwidth		150Hz - 20kHz
Ferrofluid Type	FF				Driver Size	Inch	2 in
Driver Mass	Kg		0.08				

## Frequency and Impedance Response



Highcharts.com