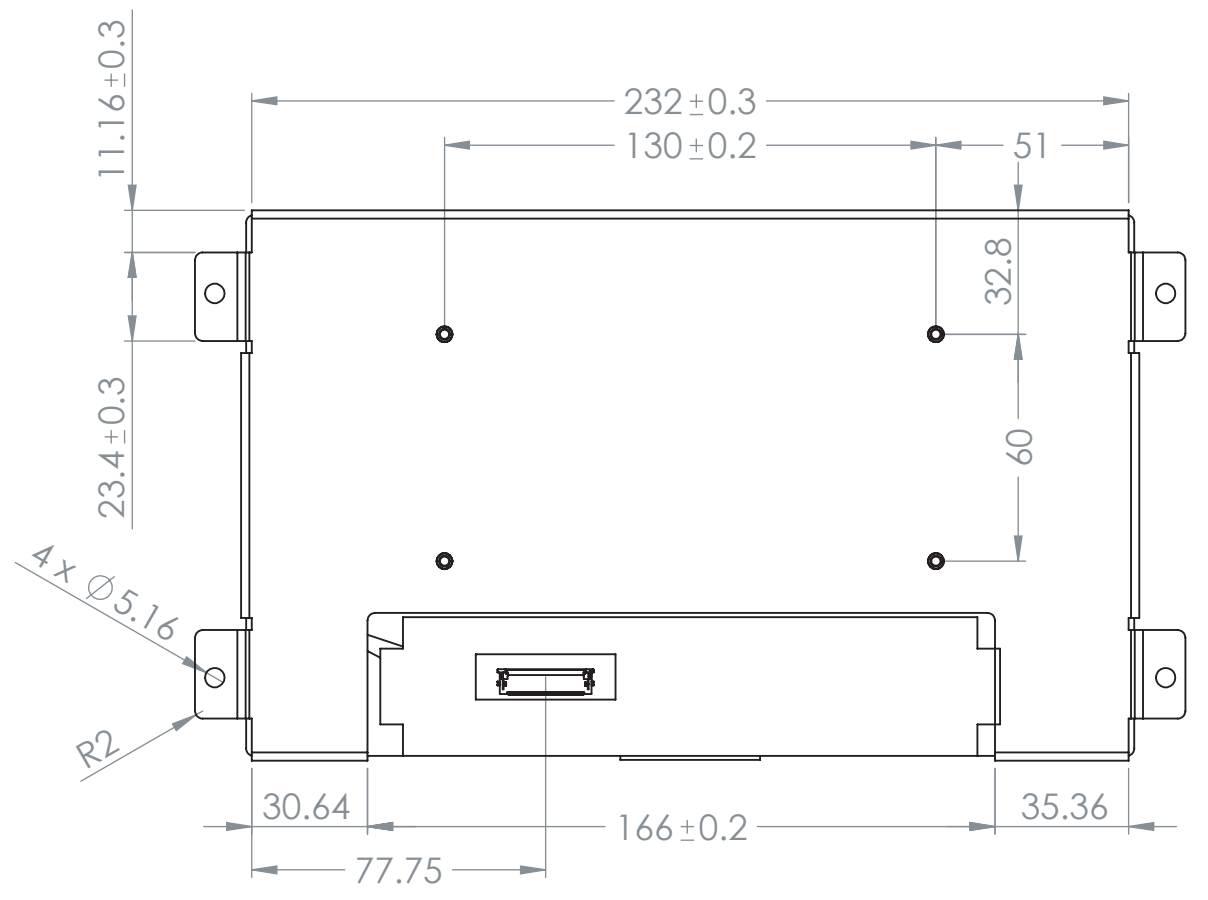


Detail: A
 1:1
 Part# BS04-M3-6 or Equivalent

- NOTES (Mounting Bracket):
- MATERIAL: SGLCC
 - THICKNESS: 1.2mm
 - 4x Mounting Holes, compatible with Rack Unit (RU) spacing
 - 4x Blind Threaded Standoffs (M3) on back side, suitable for Custom PCB assembly

SYMBOL	REVISION	DATE



This drawing is for mechanical mounting information only.
 Detailed display specifications can be viewed by downloading
 the full datasheet for the 10.1" TFT, accessible by the link below:
<http://www.newhavendisplay.com/specs/NHD-10.1-1024600AF-LSXV.pdf>

STANDARD TOLERANCES (UNLESS OTHERWISE SPECIFIED)				REVISION:
				1.0
LINEAR: ±0.3 mm	DRAWING/PART NUMBER:			SIZE:
	NHD-10.1-1024600MB-xxxx			A3
UNLESS OTHERWISE SPECIFIED	DRAWN BY:	CHECKED BY:	APPROVED BY:	SCALE:
	N. Patel	M. LaVine	M. LaVine	
- DIMENSIONS ARE IN MILLIMETERS	DRAWN DATE:	CHECKED DATE:	APPROVED DATE:	SHEET 1 OF 1
- THIRD ANGLE PROJECTION	11/15/17	11/15/17	11/15/17	
DO NOT SCALE DRAWING				
THIS DRAWING IS SOLELY THE PROPERTY OF NEWHAVEN DISPLAY INTERNATIONAL, INC. THE INFORMATION IT CONTAINS IS NOT TO BE DISCLOSED, REPRODUCED OR COPIED IN WHOLE OR PART WITHOUT WRITTEN APPROVAL FROM NEWHAVEN DISPLAY.				