

CUSTOMER TERMINAL	RoHS	LEAD(Pb)-FREE
Sn96%, Ag4%	Yes	Yes

more than you expect

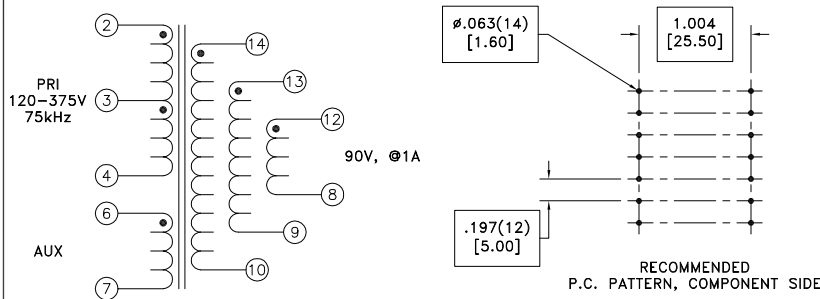
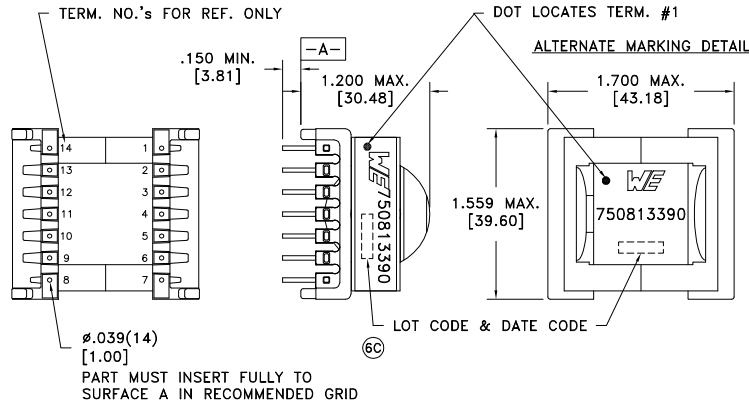


ELECTRICAL SPECIFICATIONS @ 25°C unless otherwise noted:

PARAMETER	TEST CONDITIONS	VALUE
D.C. RESISTANCE	2-4 @20°C	0.15 ohms ±20%
D.C. RESISTANCE	6-7 @20°C	0.055 ohms max.
D.C. RESISTANCE	8-12 @20°C	0.668 ohms max.
D.C. RESISTANCE	9-13 @20°C	0.668 ohms max.
D.C. RESISTANCE	10-14 @20°C	0.668 ohms max.
INDUCTANCE	2-4 10kHz, 100mVAC, Ls	100uH ±10%
SATURATION CURRENT	20% rolloff from initial	9A
LEAKAGE INDUCTANCE	2-4 tie(6+7, 8+9+10+12+13+14), 100kHz, 100mVAC, Ls	1.0uH typ., 2.0uH max.
DIELECTRIC	2-14 tie(4+6, 12+13+14), 4500VAC, 1 second	4500VAC, 1 minute
DIELECTRIC	2-6 1250VAC, 1 second	1000VAC, 1 minute
TURNS RATIO	(2-4):(14-10)	1:1, ±1%
TURNS RATIO	(2-4):(13-9)	1:1, ±1%
TURNS RATIO	(2-4):(12-8)	1:1, ±1%
TURNS RATIO	(2-4):(6-7)	4.5:1, ±1%
TURNS RATIO	(2-4):(3-4)	1.08:1, ±1%

GENERAL SPECIFICATIONS:

Designed to comply with the following requirements as defined by IEC61558-2-17:
 - Reinforced insulation for a primary circuit at a working voltage of 400VDC.



Wire insulation & RoHS status not affected by wire color.
 Wire insulation color may vary depending on availability.

REV.	DATE	Packaging Specifications		Tolerances unless otherwise specified: Angles: ±1° Decimals: ±.005 [.13] Fractions: ±1/64 Footprint: ±.001 [.03]	DRAWING TITLE TRANSFORMER	PART NO. 750813390	
6D	10/14	Method: Tray					
6C	8/12	PKG-0904					
6B	4/11	www.we-online.com/midcom					
6A	3/11	SEE REVISION SHEET FOR REVISION LEVEL					
				This drawing is dual dimensioned. Dimensions in brackets are in millimeters.	eiSos p/n: 750813390		SPECIFICATION SHEET 1 OF 1