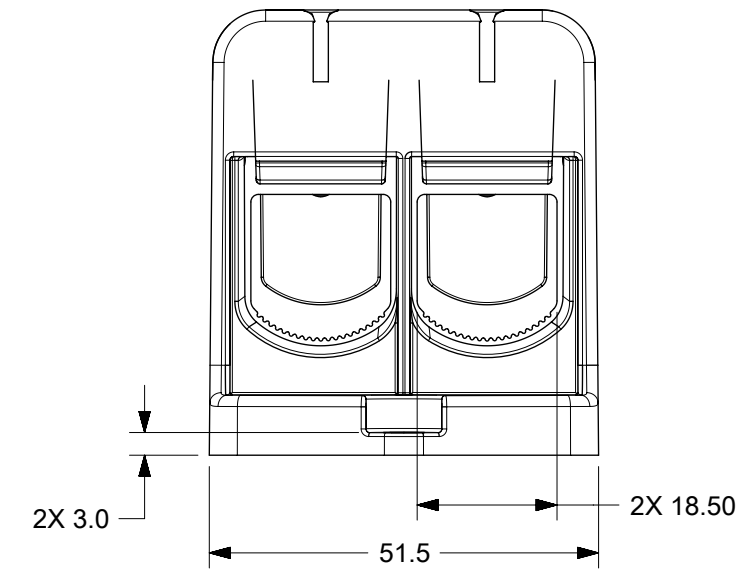
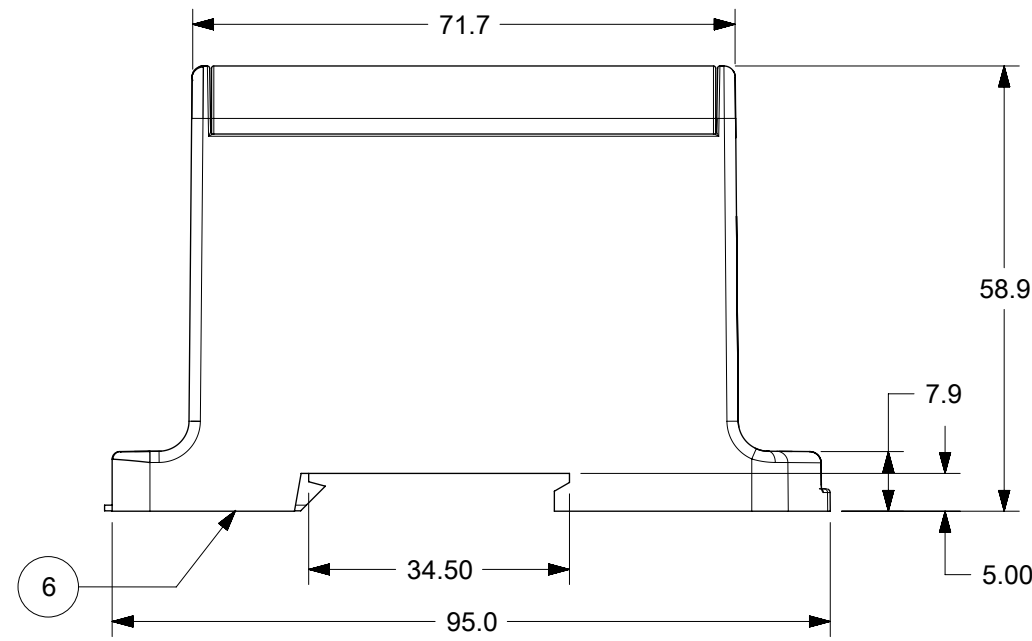
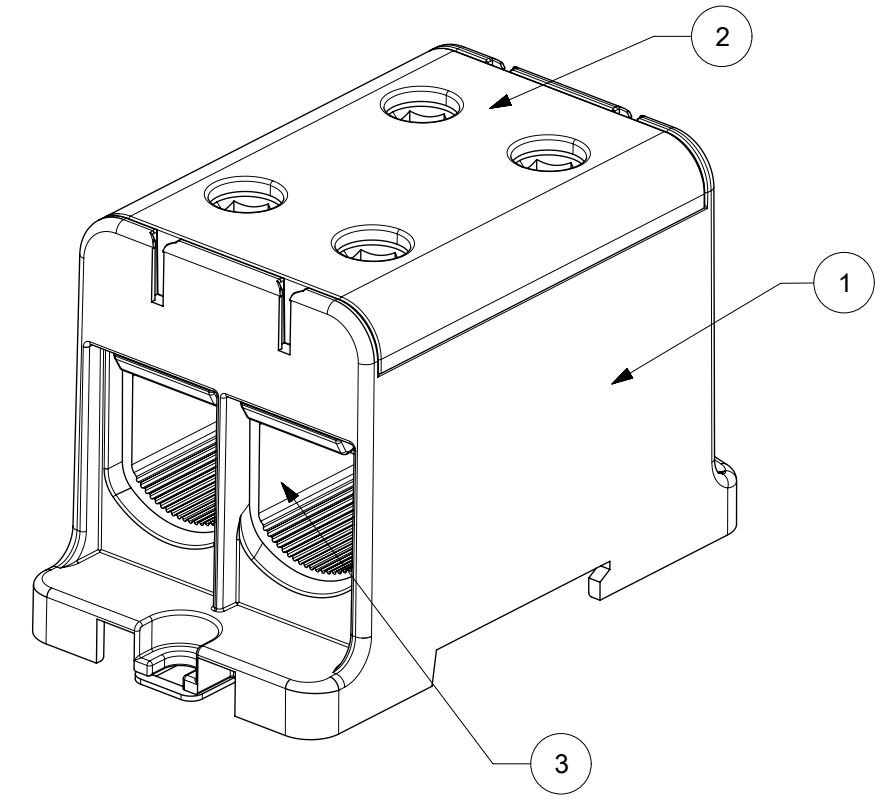
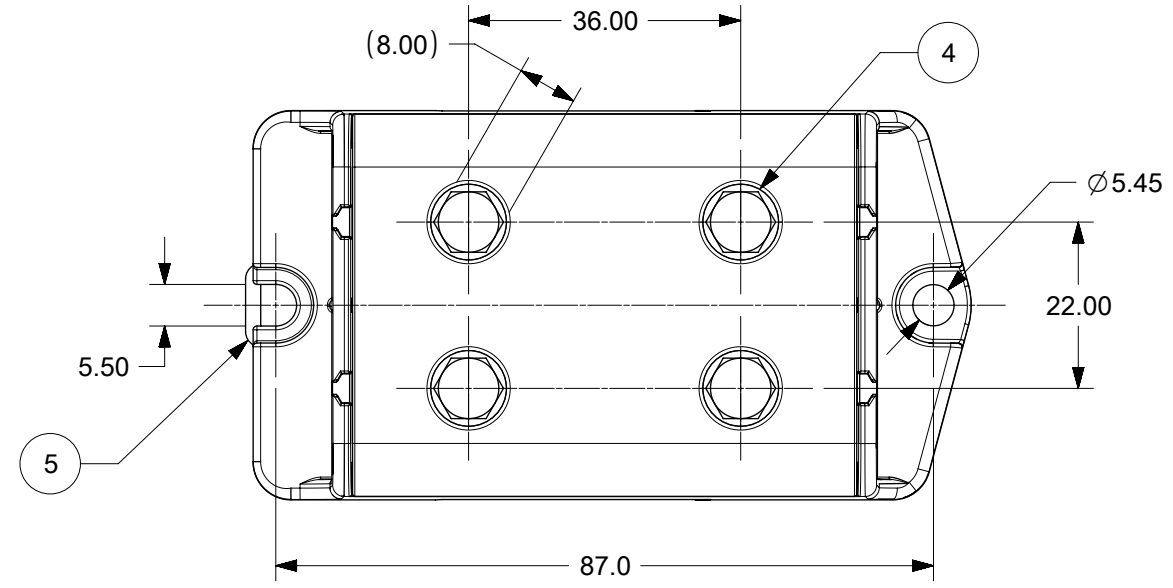


- NOTES:
1. MOUNTING TYPE: 35mm DIN RAIL OR SCREW.
 2. VOLTAGE: 600 V (UL).
 3. CURRENT: Cu 285 A, Al 230 A (UL).
 4. WIRE CROSS-SECTION RANGE, UL:
Cu/Al 2AWG-300mm² (33.6-300mm²) STRANDED.
Cu (2-3) X 2 AWG (2-3 X 33.6mm²) STRANDED.
Cu 2X 1/0 AWG (2X 53mm²) STRANDED.
 5. HEAD CAP SCREW WITH 8mm HEXAGON SOCKET SIZE.
USE A TOOL WITH LENGTH ALLOWING FOR A FULL SCREW ENGAGEMENT.
 6. RECOMMENDED TIGHTENING TORQUE:
216 Lb-In (24 Nm).
 7. ALL ELECTRICAL AND MECHANICAL SPECIFICATIONS ARE PER UL1059 AS NOTED IN MOLEX UL AGENCY APPROVAL.
 8. THE SUITABILITY OF THESE TERMINALS SHALL BE DETERMINED IN THE END-USE INVESTIGATION.
 9. AS ENVIRONMENTAL BARRIER DIELECTRIC GREASE MAY BE PRESENT IN THE WIRING CHAMBER. ENSURE TO USE THE RECOMMENDED TIGHTING TORQUE FOR ALL CONDUCTORS.



ITEM	QTY	DESCRIPTION	MATERIAL
6	1	SPRING, LATCH	STEEL
5	1	LATCH, DIN	STEEL
4	4	SCREW, SET	ALUMINUM
3	1	CAGE, 1PL	ALUMINUM
2	1	COVER	POLYAMIDE
1	1	HOUSING	POLYAMIDE

2016060683	MX-KE68.3	UCLP 1PL GRN/YLW W/SCR 285A	GREEN	YELLOW
2016060682	MX-KE68.2	UCLP 1PL GRY/BLU W/SCR 285A	GREY	BLUE
2016060680	MX-KE68	UCLP 1PL GRY/GRY W/SCR 285A	GREY	GREY
MATERIAL No.	ENGINEERING No.	DESCRIPTION	HOUSING COLOR	COVER COLOR

THIS DRAWING CONTAINS INFORMATION THAT IS PROPRIETARY TO MOLEX ELECTRONIC TECHNOLOGIES, LLC AND SHOULD NOT BE USED WITHOUT WRITTEN PERMISSION

EC NO: 120665 DRWN: WLEUNG CHKD: DNGUYEN62 REV / APPR: JFMURPHY	2017/08/14 2017/08/15 2017/08/18	GENERAL TOLERANCES (UNLESS SPECIFIED) mm SCALE 1:1 DRWN BY WLEUNG DATE 2017/08/14 ANGULAR TOL ± ° 4 PLACES ± 3 PLACES ± 2 PLACES ± SEE CHART 1 PLACE ± SEE CHART 0 PLACES ±	CHKD BY DNGUYEN62 DATE 2017/08/15 APPR BY JFMURPHY DATE 2017/08/18	molex MX-KE68
	DRAFT WHERE APPLICABLE MUST REMAIN WITHIN DIMENSIONS			PRODUCT CUSTOMER DRAWING
	DRAWING SIZE C THIRD ANGLE PROJECTION	SERIES 201606 MATERIAL NUMBER SEE CHART CUSTOMER	DOCUMENT NUMBER 2016060680 DOC TYPE PSD DOC PART 000 SHEET NUMBER 1 OF 1	
	RELEASE			