

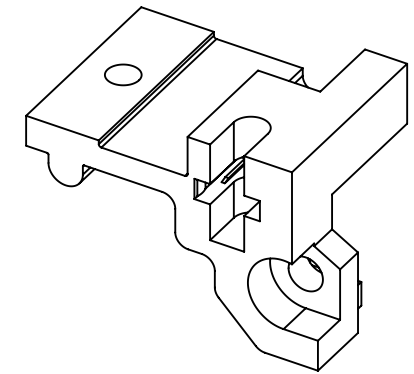
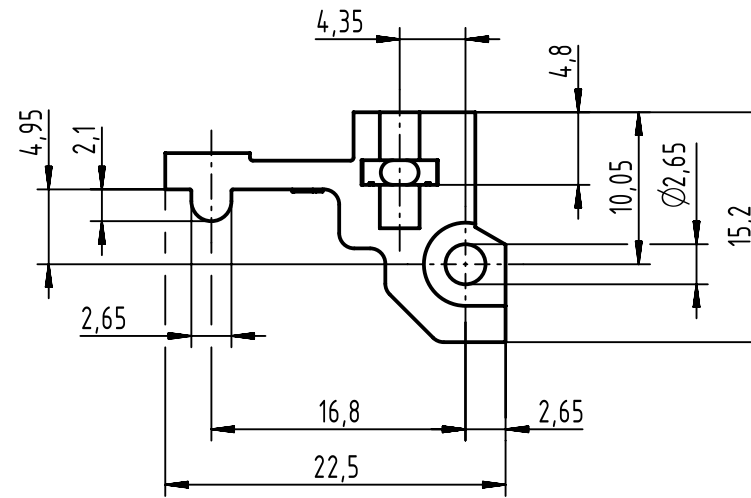
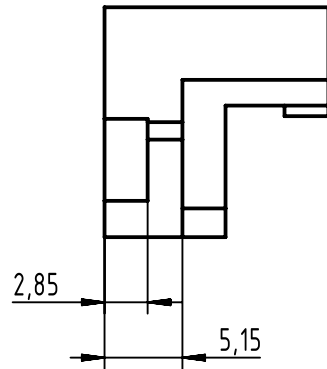
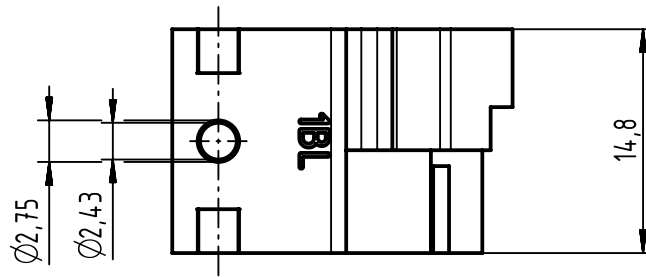
1 2 3 4 5 6

A

B

C

D



	All Dimensions in mm Original Size DIN A4		Scale 2:1		Free size tol.		Ref.	
							Sub.	
	All rights reserved		Created by KAHLERK	Inspected by ZWAHR	Standardisation HOFFMANN	Date 2017-03-17	State Final Release	
	Department EC PD - DE		Title fixing bracket BL 15mm				Doc-Key / ECM-Nr. 100106604/UGD/004/B 500000116938	
HARTING Electronics GmbH D-32339 Espelkamp			Type TB	Number 09060009909			Rev. B	Page 1/1